

PARTS CATALOGUE



ATV

LC90HD(HL)

MXU 465i



Release Date : 2022/11/02
Print Date : 2022/11/16

ABOUT THIS PARTS LIST

- This parts list is compiled all service parts for model LC90HD(HL).
- Any difference between color chart and motorcycle will be revised according to motorcycle.
- The Mark:
 1. Marking "***" must add color code in the end before ordering parts.
 2. Marking "#" are parts with modification, Please find the details from e-Parts system.
- When modification or additions to this parts list are made a revised edition at an appropriate time.



CONTENTS

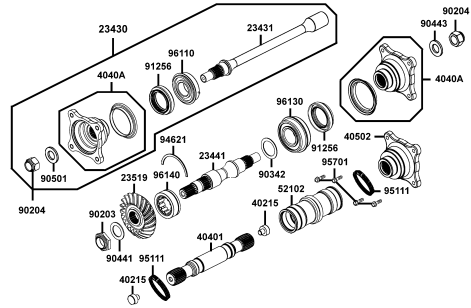
● ABOUT THIS PARTS LIST	1
● COLOR CHART OF LC90HD(HL)	3
● CONTENTS-ENGINE GROUP	6
● CONTENTS-FRAME GROUP	8
● ENGINE PARTS LIST	11
● FRAME PARTS LIST	65
● PART NO. INDEX	153

NO	MODEL			COLOR CHART OF LC90HD(HL)			
	PHOTO NO			NO. 1			
	BASIC COLOR			Deep Green			
	CODE			Deep Green			
	PARTS NAME	PARTS NO.	VERSION	GG345SA			
1	COVER TANK	17700-LKK7-E00	2	GWR			
2	CAP TANK COVER	17710-LKK7-E00	1				
3	COVER BATTERY	50326-LFA5-E00	2				
4	COVER HANDLE	53205-LKK7-EV0	1				
5	FENDER FRONT	60100-LFA5-E00	1				
6	FENDER REAR	80100-LKK7-E00	1				
7	LEVER COMP BRAKE	46500-LGN5-E00	2	MAS			
8	CUSHION ASSY FR	51400-PWB1-900	6				
9	CUSHION ASSY RR	52400-PWB1-900	6				
10	A-ARM FRONT-UPPER-	53400-PRB1-900	3				
11	A-ARM FRONT LOWER	53450-PWB1-900	13				
12	A-ARM FRONT-UPPER-	53500-PRB1-900	3				
13	A-ARM FRONT LOWER	53550-PWB1-900	13				
14	CONTROL ARM LH	54400-AEC7-E00	2				
15	A-ARM RH LOWER	54450-LFA5-E00	1				
16	CONTROL ARM LH	54500-PRB1-900	1				
17	A-ARM LH LOWER	54550-LFA5-E00	1	MFS			
18	RACK REAR	77330-AED1-E01	0				
19	RACK FRONT	77430-AED1-E01	0				
20	RIM COMP WHEEL	44705-LKK7-E00	2	MHS			
21	COVER WIRE STAY	16059-LDB5-E00	4	N1R			
22	SHIELD HEAT	17560-LGC7-E00	1				
23	CASE.BATTERY	50325-LGC7-E00	3				
24	COVER BATTERY	50326-LGC7-E00	2				
25	PANEL.SPLASH RIGHT	60130-LGC7-E00	2				
DATE OF STARTING-SALES							
DATE OF END-SALES							

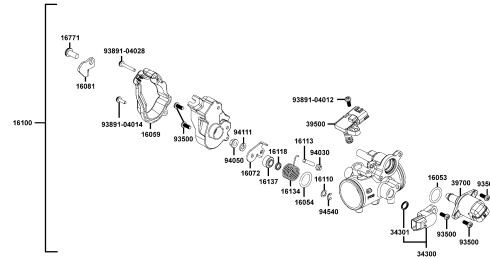
NO	MODEL			COLOR CHART OF LC90HD(HL)			
	PHOTO NO			NO. 1			
	BASIC COLOR			Deep Green			
	CODE			Deep Green			
	PARTS NAME	PARTS NO.	VERSION	GG345SA			
26	PANELASSY SPLASH	6014A-LGC7-E00	1	N1R			
27	COVER WATERPROOF	60150-LFA5-E01	2				
28	PROTECTOR HOSE	60160-LGC7-E00	1				
29	MUDGUARD FRONT	60200-LFA5-E00	1				
30	COVER FRONT	64301-LFA5-E00	2				
31	BUMPER FRONT	64302-LFA5-E01	1				
32	MUDGUARD R FLOOR	80121-LFA5-E01	1				
33	MUDGUARD L FLOOR	80122-LGC3-E00	1				
34	COVER OIL LEVEL	80125-LGC3-E00	2				
35	SHIELD REAR	80130-PWB1-E00	2				
36	COVER R SIDE	83500-LKK7-E76	1				
37	COVER L SIDE	83600-LGC3-E00	1				
38	CALIPER ASSY REAR	43100-LFA5-E00	3				
39	CALIPER ASSY REAR LH	43200-LFA5-E00	0				
40	SEAT ASSY	77200-LFA5-E00	4	T01			
41	SW LABEL	86182-LGN5-EVV	2				
42	STRIPE TANK COVER	86202-AED1-E60	2				
43	EMB GEAR REVERAL	86302-LFA5-E00	3				
44	CAUTION SHIFIT GEARS	87322-LBA7-E01	3				
45	LABEL TIRE ON ROAD	87505-LDB5-E01	2				
46	HITCH LABEL	87514-AEF2-E00	2				
47	WARNING MAXIMUM	87514-LFA5-E02	3				
48	DRIVE WARNING LIST-	87515-LDB5-E01	3				
49	CAUTION DRIVE AGE 16	87517-LDB5-E00	3				
50	SPEED LIMIT LABEL	87519-AED1-E00	2				
DATE OF STARTING-SALES							
DATE OF END-SALES							

CONTENTS - ENGINE GROUP

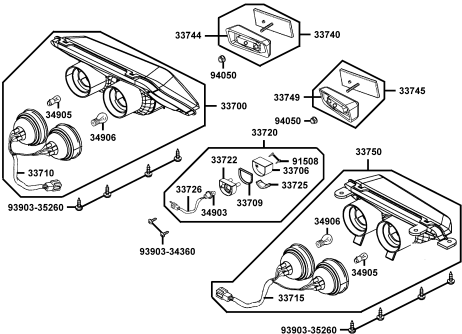
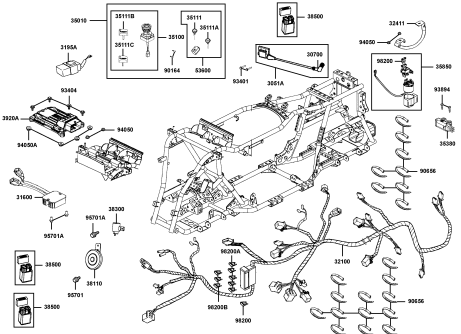
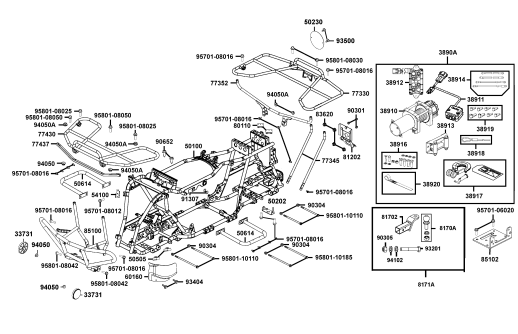
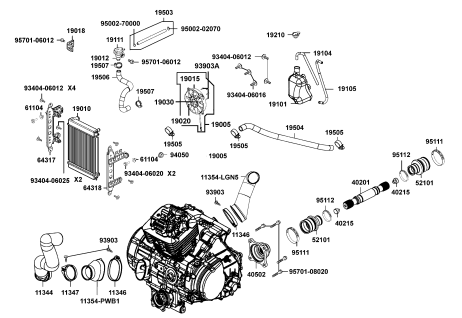
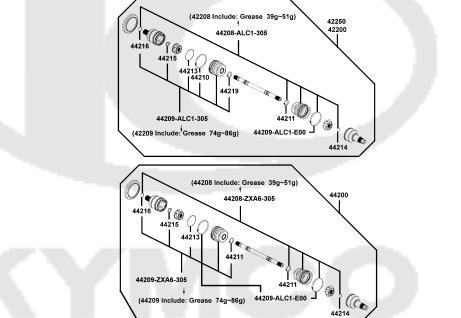
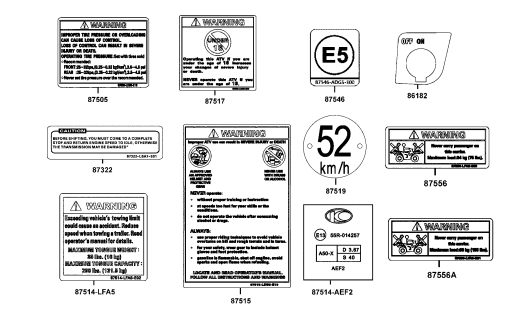
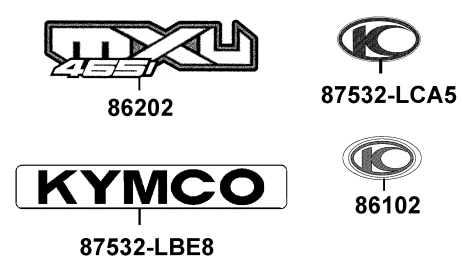
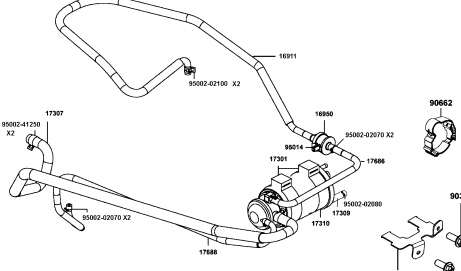

E10 Shaft Drive Front



E11 Throttle Body Assy

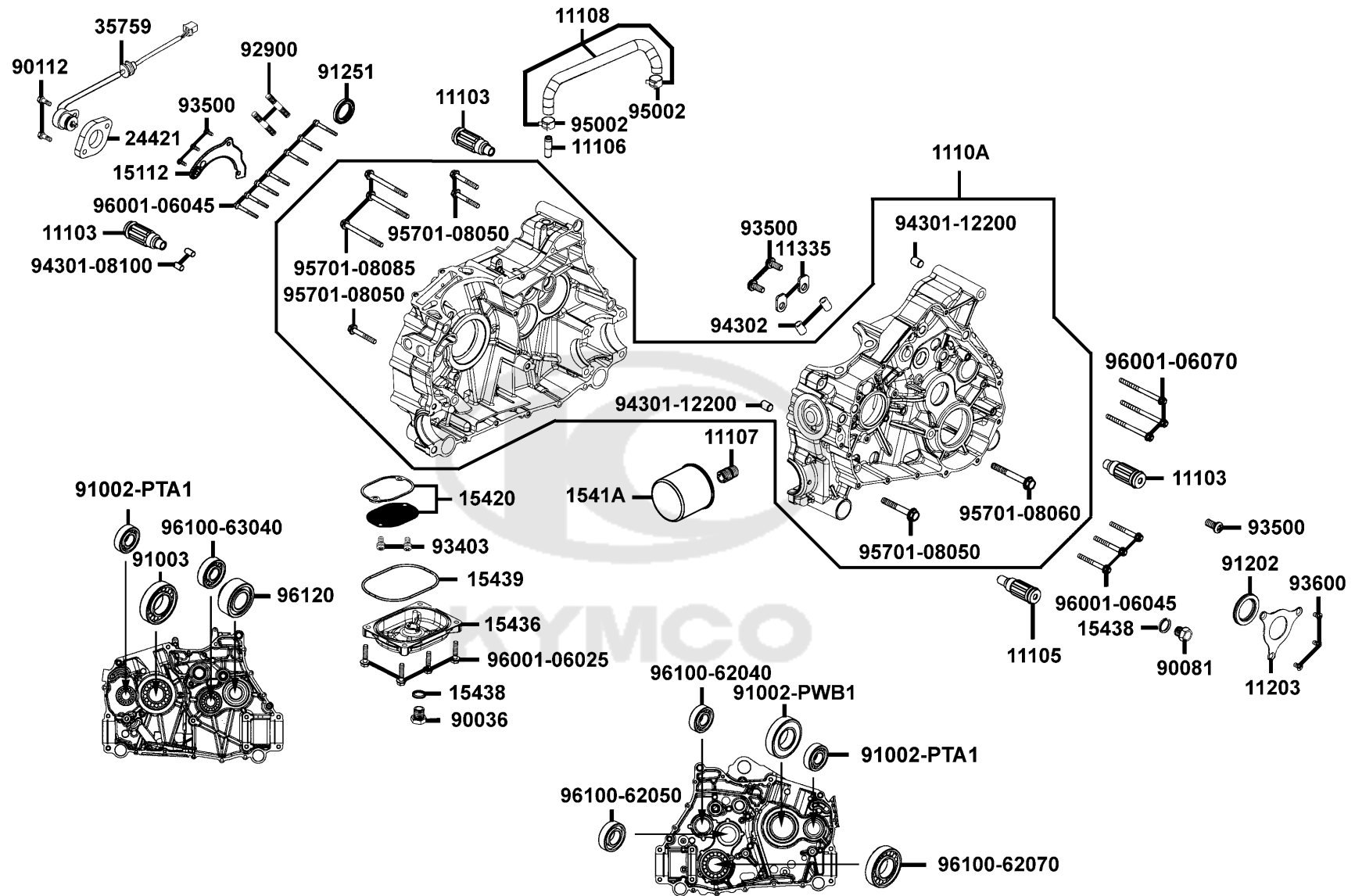


CONTENTS - FRAME GROUP

<p>F19 Light Tail</p> 	<p>F20 Harness Wire</p> 	<p>F21 Frame Body</p> 
<p>F22 Cooler Oil</p> 	<p>F23 Separated Parts Of Halfshaft</p> 	<p>F24 Caution Label</p> 
<p>F25 Emblem Stripe</p> 	<p>F26 Canister</p> 	<p>F27 Canister</p> 

E01

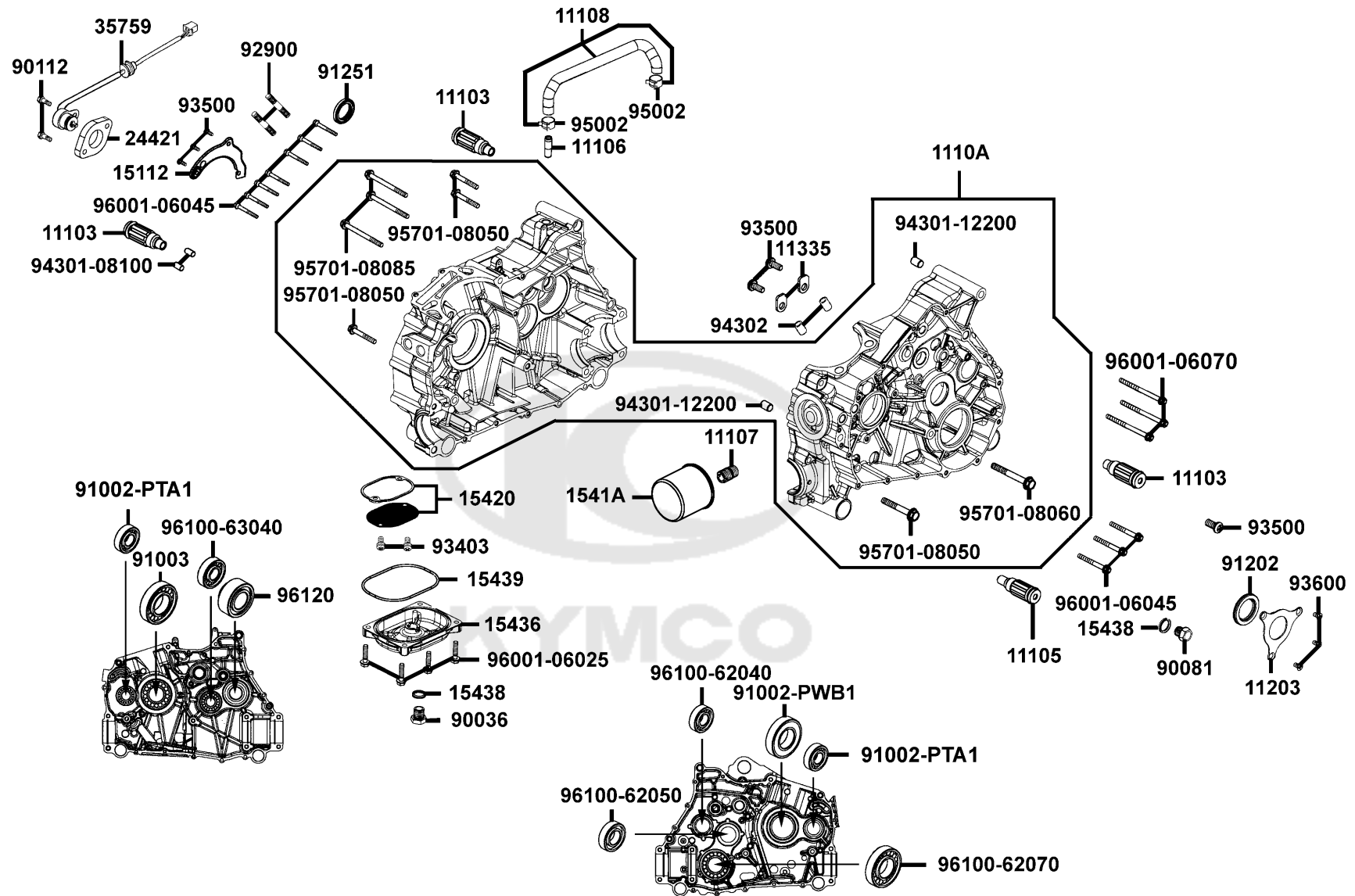
Right Crank Case



Sales mark	Ref no	Part no	Description	Reg description	Regd no	E01
11103		11103-PTA1-800	RUB BUSH ENG HANGER	RUB BUSH ENG HANGER	3	
11105		11105-PTA1-800	LONG RUB BUSH ENG HANGER	LONG RUB BUSH ENG HANGER	1	
11106		11106-PWB1-900	PIPE BREATHER	PIPE BREATHER	1	
11107		11107-PWB1-900	PIPE OIL	PIPE OIL	1	
11108		11108-BAD9-E00	HOSE,CRANK CASE VENT	HOSE,CRANK CASE VENT	1	
1110A		1110A-PTA1-900	CRANK CASE R/L ASSY	CRANK CASE R/L ASSY	1	
11203		11203-PWB1-900	RETAINER CRANKSHAFT OIL SEAL	RETAINER CRANKSHAFT OIL SEAL	1	
11335		11335-PWB1-900	RETAINER BEARING	RETAINER BEARING	2	
15112		15112-PWB1-900	PLATE OIL GUIDE RIGHT	PLATE OIL GUIDE RIGHT	1	
1541A		1541A-PWB1-900	ELEMENT COMP OIL FILTER	ELEMENT COMP OIL FILTER	1	
15420		15420-PWB1-900	STRAINER OIL	STRAINER OIL	1	
15436		15436-PWB1-900	CAP OIL STRAINER	CAP OIL STRAINER	1	
15438		15438-PWB1-900	GASKET METAL COMPRESSION	GASKET METAL COMPRESSION	2	
15439		15439-PWB1-910	GASKET MOLDED-OIL STRAINER CAP	GASKET MOLDED-OIL STRAINER CAP	1	
24421		24421-PWB1-900	SPACER SHIFT SENSOR	SPACER SHIFT SENSOR	1	
35759		35759-PWB1-900	SW ASSY GEAR CHANGE	SW ASSY GEAR CHANGE	1	
90036		90036-PWB1-900	BOLT PLUG DRAIN SPECIAL 14X13.5 (C)	BOLT PLUG DRAIN SPECIAL 14X13.5 (C)	1	
90081		90081-PWB1-900	PLUG CASE 12X14	PLUG CASE 12X14	1	
90112		90112-KRDR-900	BOLT FLANGE 5*22	BOLT FLANGE 5*22	2	
91002-PTA1		91002-PTA1-900	BRG BALL RADIAL ESB204JR2C3	BRG BALL RADIAL ESB204JR2C3	2	

E01

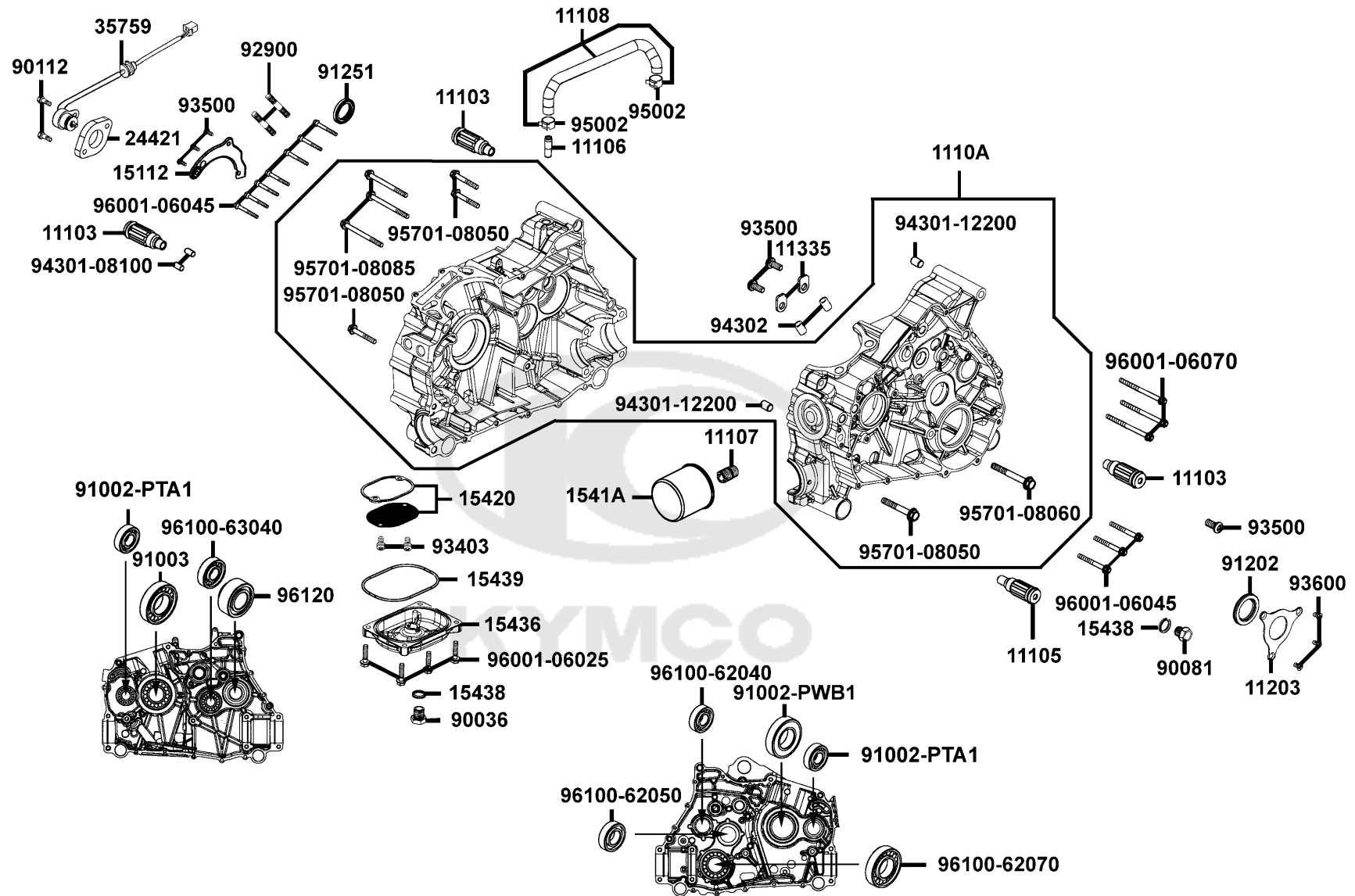
Right Crank Case



Sales mark	Ref no	Part no	Description	Reg description	Regd no	E01
91002-PWB1		91002-PWB1-90A	BRG BALL RADIL 6207LUAC3	BRG BALL RADIL 6207LUAC3	1	
91003		91003-PWB1-900	BRG RADIAL BALL 6207-9C3	BRG RADIAL BALL 6207-9C3	1	
91202		91202-PWB1-900	OIL SEAL 34X52X6	OIL SEAL 34X52X6	1	
91251		91251-PWB1-900	OIL SEAL 30X44X7	OIL SEAL 30X44X7	1	
92900		92900-06040-0E	BOLT STUD 6*40	BOLT STUD 6*40	2	
93403		93403-05012-06	BOLT-WASH 5X12	BOLT-WASH 5X12	1	
93500		93500-PWB1-900	SCREW PAN 6X14	SCREW PAN 6X14	5	
93600		93600-PWB1-900	SCREW FLAT 6X16	SCREW FLAT 6X16	3	
94301-08100		94301-08100	DOWEL PIN 8*10	DOWEL PIN 8*10	2	
94301-12200		94301-12200	DOWEL PIN 12*20	DOWEL PIN 12*20	2	
94302		94302-KKE5-E00	D12 DOWEL PIN R/L CASE	D12 DOWEL PIN R/L CASE	2	
95002		95002-KKD6-E05	CLAMP D18 TUBE	CLAMP D18 TUBE	2	
95701-08050		95701-08050-06	BOLT FLANGE 8*50	BOLT FLANGE 8*50	1	
95701-08060		95701-08060-06	BOLT FLANGE 8X60	BOLT FLANGE 8X60	1	
95701-08085		95701-08085-06	BOLT FLANGE 8X85	BOLT FLANGE 8X85	1	
96001-06025		96001-06025-06	BOLT FLANGE SH 6*25	BOLT FLANGE SH 6*25	1	
96001-06045		96001-06045-06	BOLT FLANGE 6X45	BOLT FLANGE 6X45	1	
96001-06070		96001-06070-06	BOLT FLANGE SH 6*70	BOLT FLANGE SH 6*70	1	
96100-62040		96100-62040-00	BEARING BALL RADIAL 6204	BEARING BALL RADIAL 6204	1	
96100-62050		96100-62050-00	BEARING BALL RADIAL 6205	BEARING BALL RADIAL 6205	1	

E01

Right Crank Case



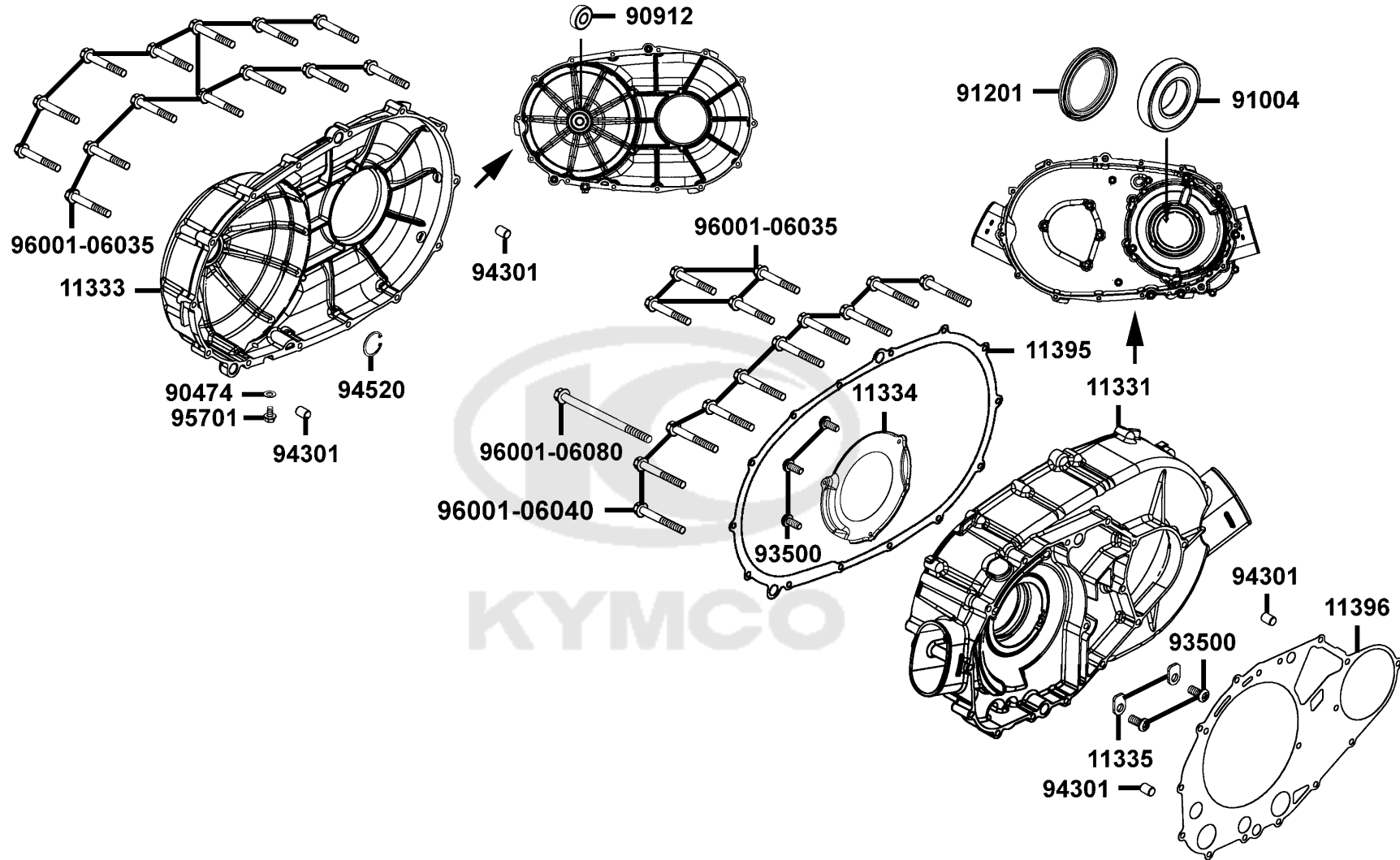
Sales mark	Ref no	Part no	Description	Reg description	Regd no	E01
------------	--------	---------	-------------	-----------------	---------	------------

	96100-62070	96100-62070-00	BRG RADIAL BALL 6207	BRG RADIAL BALL 6207	1	
	96100-63040	96100-63040-00	BRG BALL RADIAL 6304	BRG BALL RADIAL 6304	1	
	96120	96120-PWB1-900	BEARING BALL D/R 30X62X23.8	BEARING BALL D/R 30X62X23.8	1	



E02

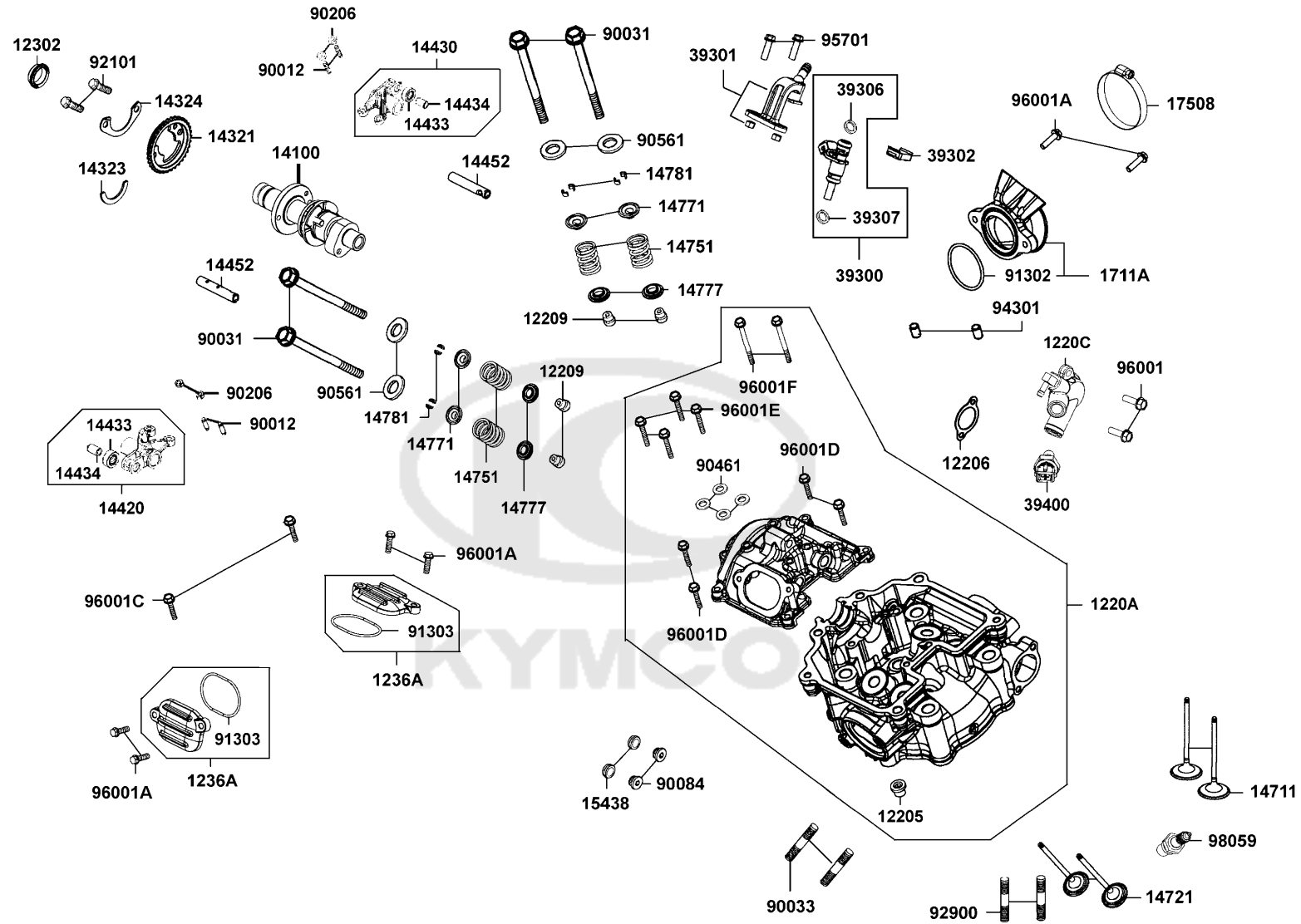
Cover Right Crank Case



Sales mark	Ref no	Part no	Description	Reg description	Regd no	E02
	11331	11331-PWB1-900	COVER R CRANK CASE	COVER R CRANK CASE	1	
	11333	11333-LFA5-900	COVER R COVER	COVER R COVER	1	
	11334	11334-PWB1-900	PLATE AIR INTAKE	PLATE AIR INTAKE	1	
	11335	11335-PWB1-900	RETAINER BEARING	RETAINER BEARING	2	
	11395	11395-PWB1-900	GASKET R COVER	GASKET R COVER	1	
	11396	11396-PWB1-900	GASKET R COVER	GASKET R COVER	1	
	90474	90474-3C33-001	WASHER 8MM	WASHER 8MM	1	
	90912	90912-KFLF-00A	BEARING 6201 LLU	BEARING 6201 LLU	1	
	91004	91004-PWB1-90D	BRG BALL RADIL 6208RUEF-1	BRG BALL RADIL 6208RUEF-1	1	
	91201	91201-PWB1-90C	OIL SEAL 54X70X8	OIL SEAL 54X70X8	1	
	93500	93500-PWB1-900	SCREW PAN 6X14	SCREW PAN 6X14	5	
	94301	94301-12200	DOWEL PIN 12*20	DOWEL PIN 12*20	4	
	94520	94520-32180	CIR CLIP IN 32	CIR CLIP IN 32	1	
	95701	95701-08012-06	BOLT FLANGE 8*12	BOLT FLANGE 8*12	1	
	96001-06035	96001-06035-06	BOLT FLANGE 6*35	BOLT FLANGE 6*35	1	
	96001-06040	96001-06040-06	BOLT FLANGE SH 6*40	BOLT FLANGE SH 6*40	1	
	96001-06080	96001-06080-06	BOLT FLANGE SH 6X80	BOLT FLANGE SH 6X80	1	

E03

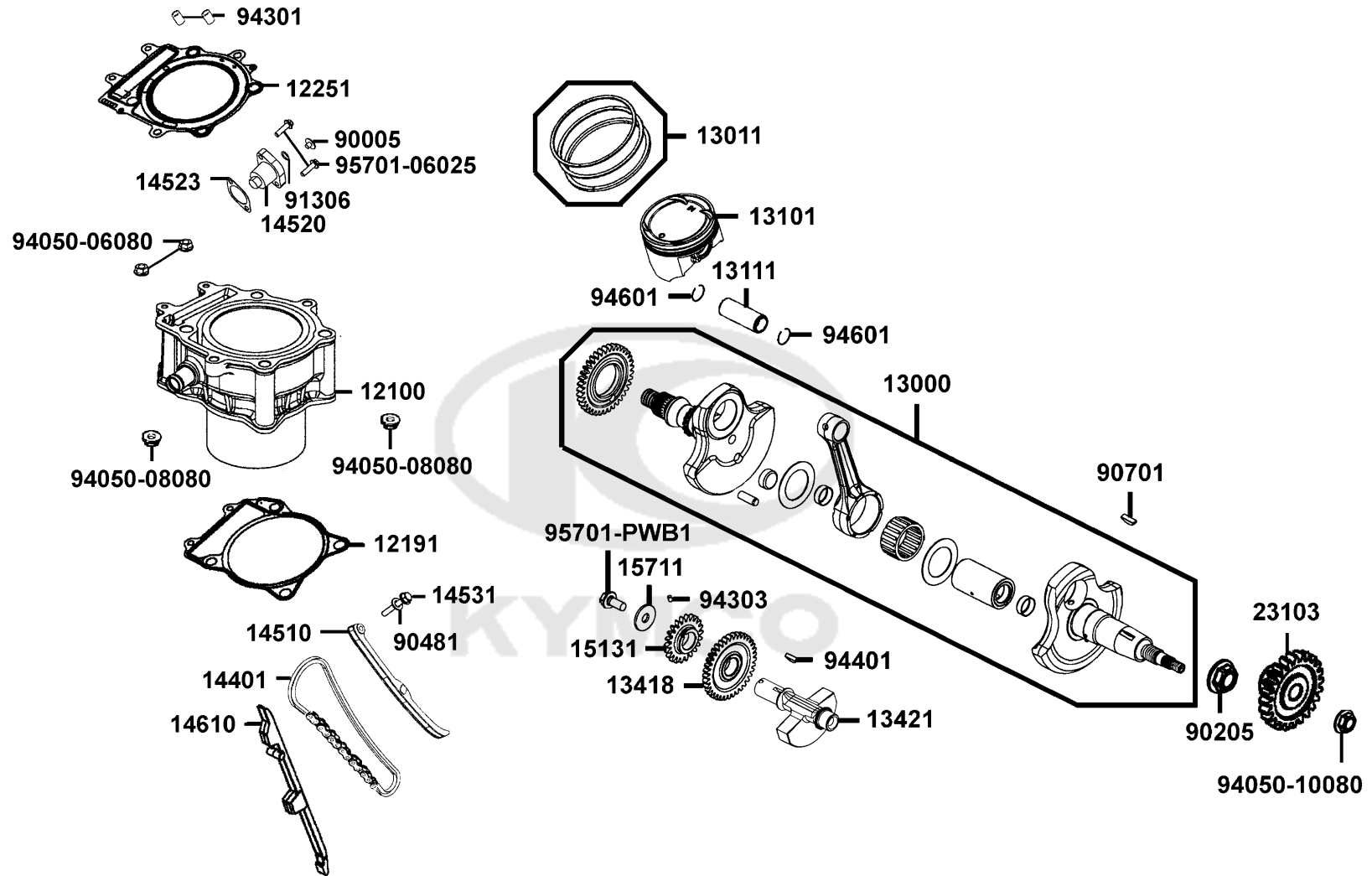
Cylinder Head Cover Cylinder Head



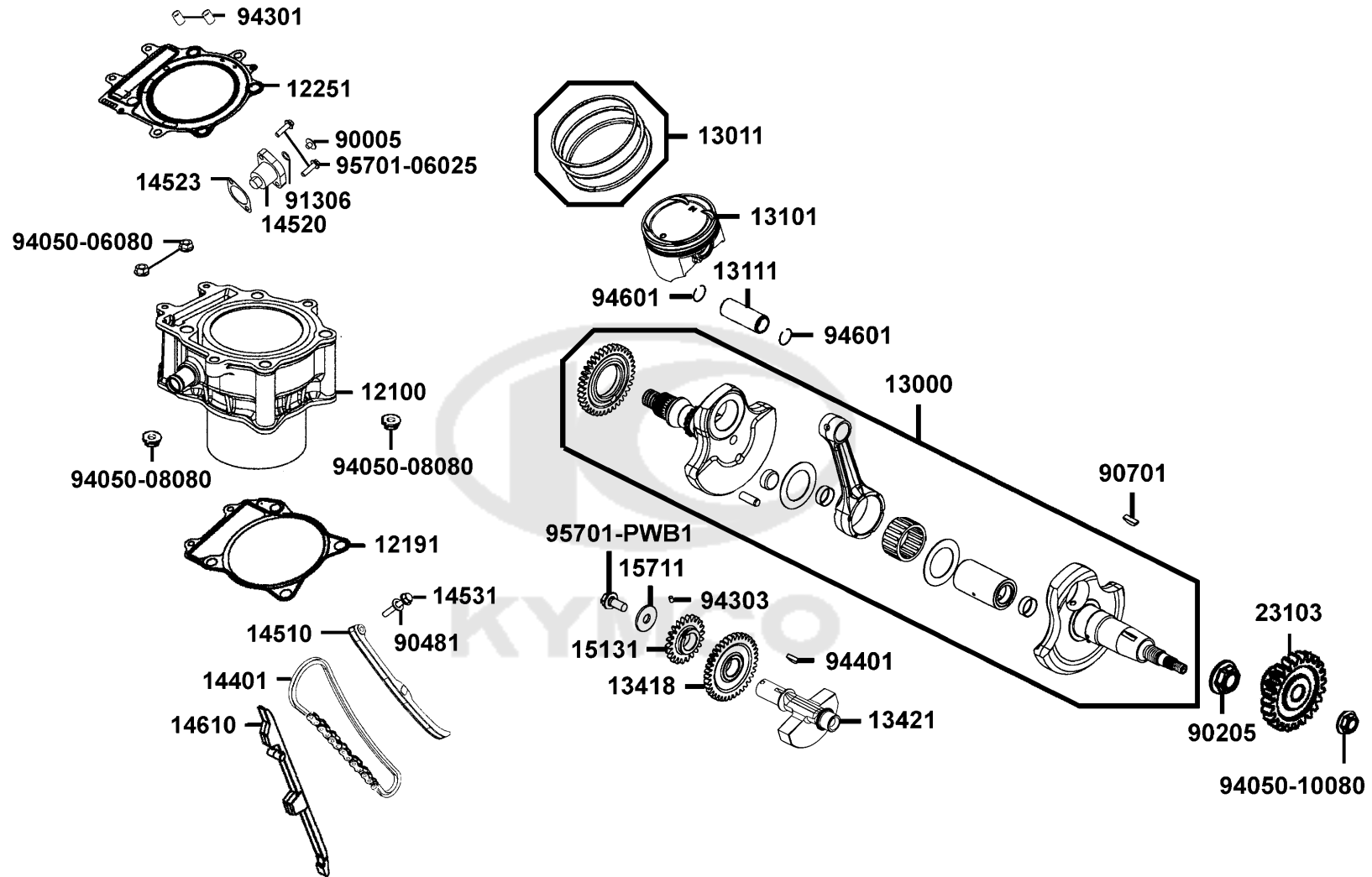
Sales mark	Ref no	Part no	Description	Reg description	Regd no	E03
	12205	12205-KHE8-301	BOLT SEALING 12MM	BOLT SEALING 12MM	1	
	12206	12206-LBA2-E00	GASKET WATER COVER	GASKET WATER COVER	1	
	12209	12209-PWB1-900	SEAL VALVE STEM	SEAL VALVE STEM	4	
	1220A	1220A-PTA1-800	HEAD ASSY CYLINDER	HEAD ASSY CYLINDER	1	
	1220C	1220C-LGC7-305	COVER COMP WATER-A	COVER COMP WATER-A	1	
	12302	12302-PTA1-900	PLUG HEAD	PLUG HEAD	1	
	1236A	1236A-PWB1-900	CAP ASSY TAPPET ADJUSTING HOLE	CAP ASSY TAPPET ADJUSTING HOLE	2	
	14100	14100-BAD9-E00	SHAFT COMP CAM	SHAFT COMP CAM	1	
	14321	14321-PTA1-900	SPROCKET CAMSHAFT	SPROCKET CAMSHAFT	1	
	14323	14323-PWB1-900	C-RING CAM RETAINER	C-RING CAM RETAINER	1	
	14324	14324-PWB1-900	WASHER LOCK CAMSHAFT	WASHER LOCK CAMSHAFT	1	
	14420	14420-PTA1-900	ARM COMP EXH VALVE ROCKER	ARM COMP EXH VALVE ROCKER	1	
	14430	14430-PTA1-900	ARM COMP IN VALVE ROCKER	ARM COMP IN VALVE ROCKER	1	
	14433	14433-PTA1-900	ROCKER ASSY ROCKER ARM	ROCKER ASSY ROCKER ARM	2	
	14434	14434-PTA1-900	PIN ROCKER ARM	PIN ROCKER ARM	2	
	14452	14452-PTA1-900	SHAFT IN ROCKER ARM	SHAFT IN ROCKER ARM	2	
	14711	14711-PTA1-900	VALVE INLET	VALVE INLET	2	
	14721	14721-PTA1-900	VALVE EXHAUST	VALVE EXHAUST	2	
	14751	14751-PTA1-900	SPRING VALVE OUTER	SPRING VALVE OUTER	4	
	14771	14771-PWB1-900	RETAINER UPPER SPRING	RETAINER UPPER SPRING	4	

Sales mark	Ref no	Part no	Description	Reg description	Regd no	E03
14777		14777-PWB1-900	SEAT VALVE SPRING	SEAT VALVE SPRING	4	
14781		14781-MFA6-001	COTTER VALVE	COTTER VALVE	8	
15438		15438-PWB1-900	GASKET METAL COMPRESSION	GASKET METAL COMPRESSION	2	
1711A		1711A-LGC3-E01	MANIFOLD ASSY INLET	MANIFOLD ASSY INLET	1	
17508		17508-LGC7-E00	CLAMP D60	CLAMP D60	1	
39300		39300-PTA1-800	INJECTOR FUEL	INJECTOR FUEL	1	
39301		39301-LGC7-E00	ASSY FUEL RAIL	ASSY FUEL RAIL	1	
39302		39302-KKE3-900	CLIP SPRING FUEL INJECTOR	CLIP SPRING FUEL INJECTOR	1	
39306		39306-LEB2-305	O-RING A INJECTOR /BLACK	O-RING A INJECTOR /BLACK	1	
39307		39307-LEB2-305	O-RING B INJECTOR /GREEN	O-RING B INJECTOR /GREEN	1	
39400		39400-LEA6-800	COLLANT TEMPRATURE SENSOR	COLLANT TEMPRATURE SENSOR	1	
90012		90012-3C33-001	SCREW TAPPET ADJUSTING	SCREW TAPPET ADJUSTING	4	
90031		90031-PWB1-900	BOLT UBS 10x170	BOLT UBS 10x170	4	
90033		90033-KGB4-C00	BOLT STUD M8X40 (C)	BOLT STUD M8X40 (C)	2	
90084		90084-KKE5-E00	CAPE OIL CHANNEL	CAPE OIL CHANNEL	2	
90206		90206-0A01-001	NUT TAPPET ADJG	NUT TAPPET ADJG	4	
90461		90461-PWB1-900	WASHER SEALING	WASHER SEALING	4	
90561		90561-PWB1-900	WASHER 21X10X2.2	WASHER 21X10X2.2	4	
91302		91302-PTA1-800	O-RING INTAKE MANIFOLD 44.12X2.62	O-RING INTAKE MANIFOLD 44.12X2.62	1	
91303		91303-PWB1-900	ORING INSPECTION CAP	ORING INSPECTION CAP	2	

Sales mark	Ref no	Part no	Description	Reg description	Regd no	E03
92101		92101-06012-0HN	BOLT HEX 6X12	BOLT HEX 6X12	2	
92900		92900-PTA1-900	BOLT STUD 8*40	BOLT STUD 8*40	2	
94301		94301-08140	DOWEL PIN 8*14	DOWEL PIN 8*14	2	
95701		95701-06016-06	BOLT FLANGE 6*16 (K)	BOLT FLANGE 6*16 (K)	1	
96001		96001-06018-06	BOLT FLANGE SH 6X18	BOLT FLANGE SH 6X18	1	
96001A		96001-06020-06	BOLT FLANGE SH 6*20	BOLT FLANGE SH 6*20	3	
96001C		96001-06025-06	BOLT FLANGE SH 6*25	BOLT FLANGE SH 6*25	1	
96001D		96001-06030-06	BOLT FLANGE SH 6X30	BOLT FLANGE SH 6X30	4	
96001E		96001-06060-06	BOLT FLANE 6*60	BOLT FLANE 6*60	4	
96001F		96001-06110-06	BOLT FLANGE SH 6*110	BOLT FLANGE SH 6*110	2	
98059		98059-57916-00	SPARK PLUG (CR7E)	SPARK PLUG (CR7E)	1	



Sales mark	Ref no	Part no	Description	Reg description	Regd no	E04
12100		12100-PTA1-900	CYLINDER COMP	CYLINDER COMP	1	
12191		12191-PTA1-900	GASKET CYLINDER @A	GASKET CYLINDER @A	1	
12251		12251-PTA1-900	GASKET CYLINDER HEAD	GASKET CYLINDER HEAD	1	
13000		13000-PWB1-900	CRANK SHAFT COMP	CRANK SHAFT COMP	1	
13011		13011-PTA1-90B	RING SET PISTON	RING SET PISTON	1	
13101		13101-LGC7-E00	PISTON	PISTON	1	
13111		13111-PWB1-900	PIN PISTON	PIN PISTON	1	
13418		13418-PWB1-900	GEAR A BALANCER SHAFT	GEAR A BALANCER SHAFT	1	
13421		13421-ZXA6-M01	SHAFT BALANCER	SHAFT BALANCER	1	
14401		14401-PWB1-900	CHAIN CAM	CHAIN CAM	1	
14510		14510-PWB1-900	TENSIONER CAM CHAIN	TENSIONER CAM CHAIN	1	
14520		14520-GFY6-90C	LIFTER ASSY.. TENSIONER	LIFTER ASSY.. TENSIONER	1	
14523		14523-KED9-920	GASKET TENSIONER LIFTER @A	GASKET TENSIONER LIFTER @A	1	
14531		14531-PWB1-900	PIVOT TENSION GUIDE	PIVOT TENSION GUIDE	1	
14610		14610-PTA1-900	GUIDE COMP CAM CHAIN	GUIDE COMP CAM CHAIN	1	
15131		15131-PWB1-900	SPROCKET OIL PUMP DRIVE	SPROCKET OIL PUMP DRIVE	1	
15711		15711-PWB1-900	WASHER 10.2X30X2.5	WASHER 10.2X30X2.5	1	
23103		23103-PTA1-900	GEAR PRIMARY DRIVE	GEAR PRIMARY DRIVE	1	
90005		90005-KED9-900	BOLT SPECIAL 6*6	BOLT SPECIAL 6*6	1	
90205		90205-LDB5-E00	NUT FLANGE 16 mm	NUT FLANGE 16 mm	1	

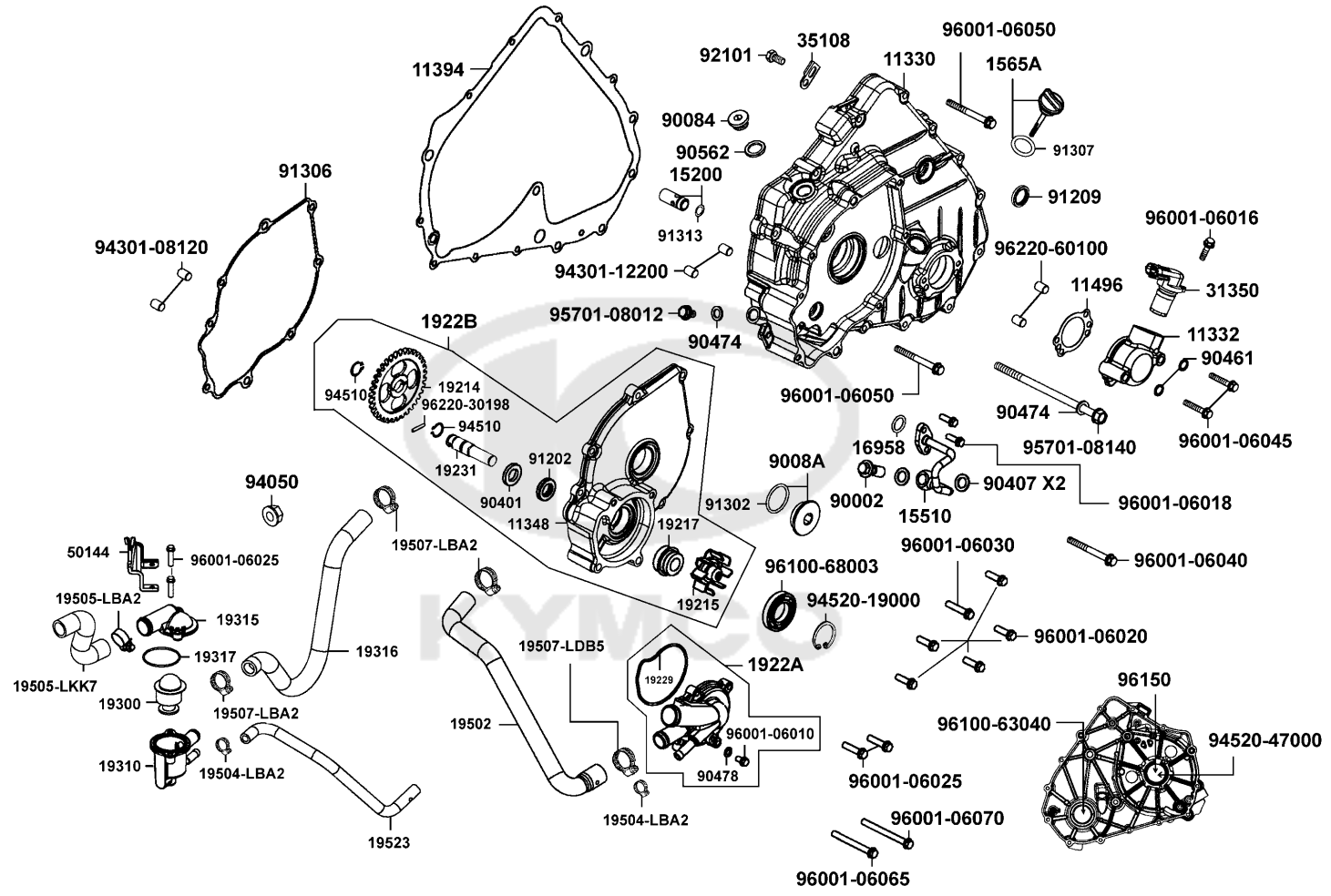


Sales mark	Ref no	Part no	Description	Reg description	Regd no	E04
90481		90481-0E35-001	WASHER 8MM	WASHER 8MM	1	
90701		90701-LDB5-E00	KEY WAY ACG	KEY WAY ACG	1	
91306		91306-1E05-691	O-RING 1.5*9.5	O-RING 1.5*9.5	1	
94050-06080		94050-06080	NUT FLANGE 6MM	NUT FLANGE 6MM	2	
94050-08080		94050-08080	NUT FLANGE 8MM	NUT FLANGE 8MM	2	
94050-10080		94050-10080	NUT FLANGE 10MM	NUT FLANGE 10MM	1	
94301		94301-12200	DOWEL PIN 12*20	DOWEL PIN 12*20	2	
94303		94303-04065	DOWEL PIN 4*6.5	DOWEL PIN 4*6.5	1	
94401		94401-16150	KEY WOODRUFF 16*15	KEY WOODRUFF 16*15	1	
94601		94601-PWB1-900	CIRCLIP PISTON PIN 20MM	CIRCLIP PISTON PIN 20MM	2	
95701-06025		95701-06025-06	BOLT FLANGE 6*25	BOLT FLANGE 6*25	1	
95701-PWB1		95701-PWB1-900	BOLT FLANGE 10X20	BOLT FLANGE 10X20	1	

Sales mark	Ref no	Part no	Description	Reg description	Regd no	E05
11330		11330-PTA1-900	COVER LEFT CRANK CASE	COVER LEFT CRANK CASE	1	
11332		11332-PWB1-900	HOUSING SPEED SENSOR	HOUSING SPEED SENSOR	1	
11348		11348-PTA1-900	COVER L COVER	COVER L COVER	1	
11394		11394-PWB1-900	GASKET L COVER	GASKET L COVER	1	
11496		11496-PWB1-900	GASKET SENSOR HOUSING	GASKET SENSOR HOUSING	1	
15200		15200-PWB1-900	OIL RELIEF VALVE ASSY	OIL RELIEF VALVE ASSY	1	
15510		15510-PTA1-900	PIPE COMP OIL	PIPE COMP OIL	1	
1565A		1565A-PWB1-900	GAUGE ASSY OIL LEVEL	GAUGE ASSY OIL LEVEL	1	
16958		16958-PWB1-910	O-RING 10.77X2.62	O-RING 10.77X2.62	1	
19214		19214-PTA1-900	GEAR WATER PUMP DRIVEN	GEAR WATER PUMP DRIVEN	1	
19215		19215-LBA2-E00	IMPELLER WATER PUMP	IMPELLER WATER PUMP	1	
19217		19217-PRB9-E01	SEAL MECHANICAL	SEAL MECHANICAL	1	
19229		19229-LDB5-E00	RING WATER PUMP	RING WATER PUMP	1	
1922A		1922A-PTA1-900	COVER ASSY WATER PUMP	COVER ASSY WATER PUMP	1	
1922B		1922B-PTA1-900	WATER PUMP ASSY..L. COVER	WATER PUMP ASSY..L. COVER	1	
19231		19231-PTA1-900	SHAFT WATER PUMP	SHAFT WATER PUMP	1	
19300		19300-PTA1-900	THERMOSTAT ASSY	THERMOSTAT ASSY	1	
19310		19310-LDB5-E00	CASE COMP THERMOSTAT	CASE COMP THERMOSTAT	1	
19315		19315-LBA2-E00	COVER THERMOSTAT	COVER THERMOSTAT	1	
19316		19316-PTA1-900	HOSE THERMOATAT A	HOSE THERMOATAT A	1	

Sales mark	Ref no	Part no	Description	Reg description	Regd no	E05
	19317	19317-LBA2-E00	RING 48.3*2	RING 48.3*2	1	
	19502	19502-PTA1-900	HOSE WATER B	HOSE WATER B	1	
	19504-LBA2	19504-LBA2-E00	CLAMP D16.8	CLAMP D16.8	2	
	19505-LBA2	19505-LBA2-E00	CLAMP WATER HOSE	CLAMP WATER HOSE	1	
	19505-LKK7	19505-LKK7-900	HOSE WATER	HOSE WATER	1	
	19507-LBA2	19507-LBA2-E00	CLAMP D 27.5	CLAMP D 27.5	3	
	19507-LDB5	19507-LDB5-E00	CLAMP D 28	CLAMP D 28	1	
	19523	19523-PTA1-900	HOSE THERMOATAT B	HOSE THERMOATAT B	1	
	31350	31350-LDB5-E0A	SENSOR SPEED	SENSOR SPEED	1	
	35108	35108-PWB1-900	STAY B ACG STATOR	STAY B ACG STATOR	1	
	50144	50144-PTA1-900	BRKT THERMOSTAT STAY	BRKT THERMOSTAT STAY	1	
	90002	90002-KKAK-900	BOLT B OIL PASS	BOLT B OIL PASS	1	
	90084	90084-PWB1-900	CAP ACG	CAP ACG	1	
	9008A	9008A-PTA1-900	CAP ASSY	CAP ASSY	1	
	90401	90401-PTA1-900	WASHER.THRUST 14MM	WASHER.THRUST 14MM	1	
	90407	90407-KAM1-001	SEALING WASHER B OIL PIPE JOIN	SEALING WASHER B OIL PIPE JOIN	2	
	90461	90461-PWB1-900	WASHER SEALING	WASHER SEALING	2	
	90474	90474-3C33-001	WASHER 8MM	WASHER 8MM	2	
	90478	90478-7L00-001	WASHER A 6MM	WASHER A 6MM	1	
	90562	90562-PWB1-900	WASHER 16X22X2	WASHER 16X22X2	1	

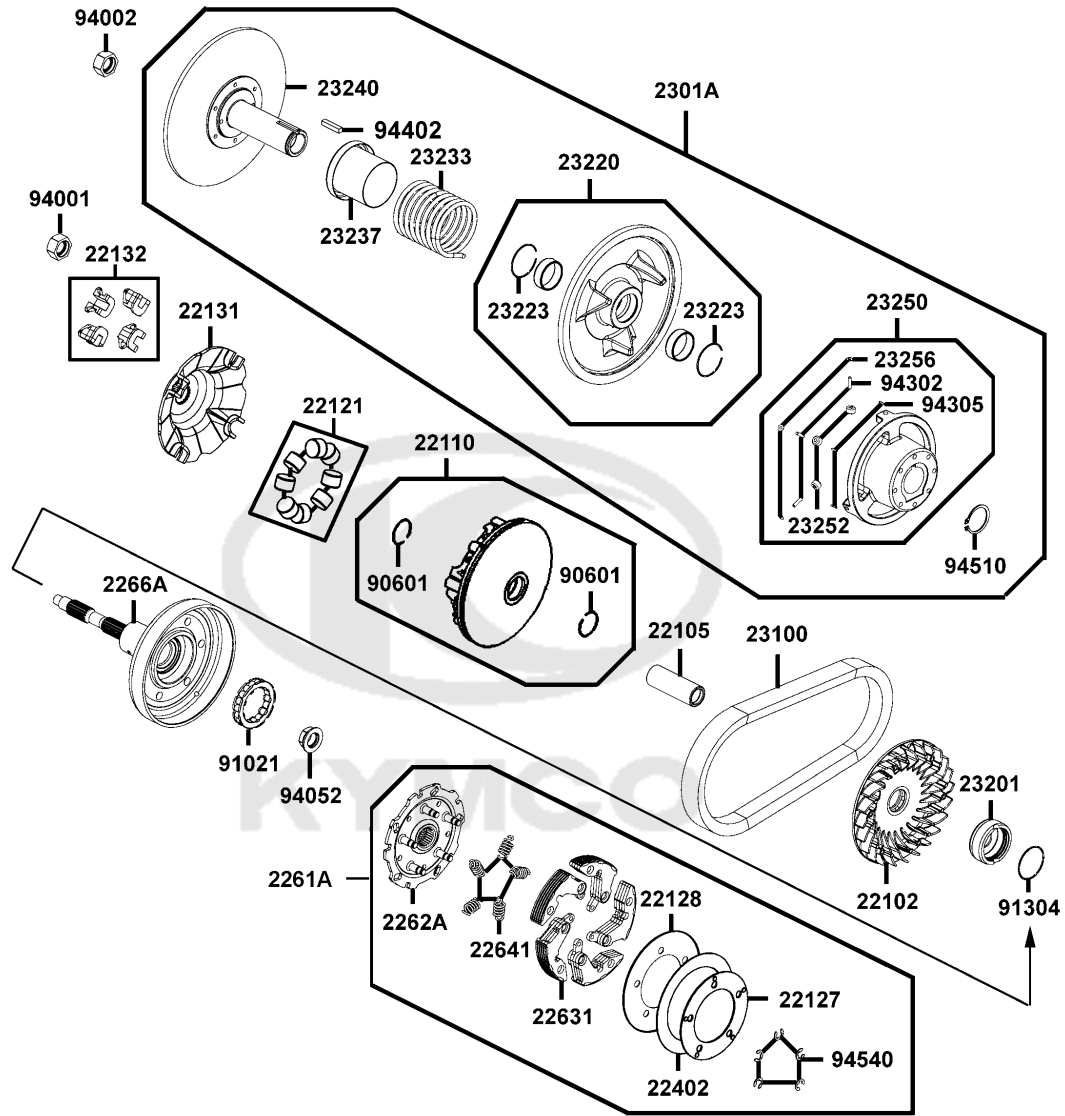
Cover Left Crank Case



Sales mark	Ref no	Part no	Description	Reg description	Regd no	E05
	91202	91202-KGB4-C00	OIL SEAL 13.7*24*5	OIL SEAL 13.7*24*5	1	
	91209	91209-PWB1-900	OIL SEAL 12X22X9	OIL SEAL 12X22X9	1	
	91302	91302-5G67-004	O-RING 27.4*2.4	O-RING 27.4*2.4	1	
	91306	91306-PTA1-900	GASKET.STARTING COVER	GASKET.STARTING COVER	1	
	91307	91307-0E35-001	O RING 18*3	O RING 18*3	1	
	91313	91313-KED9-900	O-RING 15.5*1.5	O-RING 15.5*1.5	1	
	92101	92101-05012-0G	BOLT HEX 5X12	BOLT HEX 5X12	1	
	94050	94050-06060	NUT FLANGE 6MM	NUT FLANGE 6MM	1	
	94301-08120	94301-08120	DOWEL PIN 8*12	DOWEL PIN 8*12	2	
	94301-12200	94301-12200	DOWEL PIN 12*20	DOWEL PIN 12*20	2	
	94510	94510-14000	CIR CLIP EXTERNAL 14	CIR CLIP EXTERNAL 14	1	
	94520-19000	94520-19000	CIR CLIP IN 19	CIR CLIP IN 19	1	
	94520-47000	94520-47000	CIR CLIP IN 47	CIR CLIP IN 47	1	
	95701-08012	95701-08012-06	BOLT FLANGE 8*12	BOLT FLANGE 8*12	1	
	95701-08140	95701-08140-06	BOLT FLANGE 8*140	BOLT FLANGE 8*140	1	
	96001-06010	96001-06010-00	BOLT FLANGE SH 6X10	BOLT FLANGE SH 6X10	1	
	96001-06016	96001-06016-06	BOLT FLANGE SH 6X16	BOLT FLANGE SH 6X16	1	
	96001-06018	96001-06018-06	BOLT FLANGE SH 6X18	BOLT FLANGE SH 6X18	1	
	96001-06020	96001-06020-06	BOLT FLANGE SH 6*20	BOLT FLANGE SH 6*20	1	
	96001-06025	96001-06025-06	BOLT FLANGE SH 6*25	BOLT FLANGE SH 6*25	1	

Sales mark	Ref no	Part no	Description	Reg description	Regd no	E05
	96001-06030	96001-06030-06	BOLT FLANGE SH 6X30	BOLT FLANGE SH 6X30	1	
	96001-06040	96001-06040-06	BOLT FLANGE SH 6*40	BOLT FLANGE SH 6*40	1	
	96001-06045	96001-06045-06	BOLT FLANGE 6X45	BOLT FLANGE 6X45	1	
	96001-06050	96001-06050-06	BOLT FLANGE SH 6*50	BOLT FLANGE SH 6*50	1	
	96001-06065	96001-06065-06	BOLT FLANGE SH 6X65	BOLT FLANGE SH 6X65	1	
	96001-06070	96001-06070-06	BOLT FLANGE SH 6*70	BOLT FLANGE SH 6*70	1	
	96100-63040	96100-63040-00	BRG BALL RADIAL 6304	BRG BALL RADIAL 6304	1	
	96100-68003	96100-68003-00	BEARING BALL RADIAL 6800	BEARING BALL RADIAL 6800	1	
	96150	96150-PWB1-900	BEARING CONRAD S/R(16005)	BEARING CONRAD S/R(16005)	1	
	96220-30198	96220-30198	ROLLER. 3*19.8	ROLLER. 3*19.8	1	
	96220-60100	96220-60100	ROLLER 6X10	ROLLER 6X10	2	

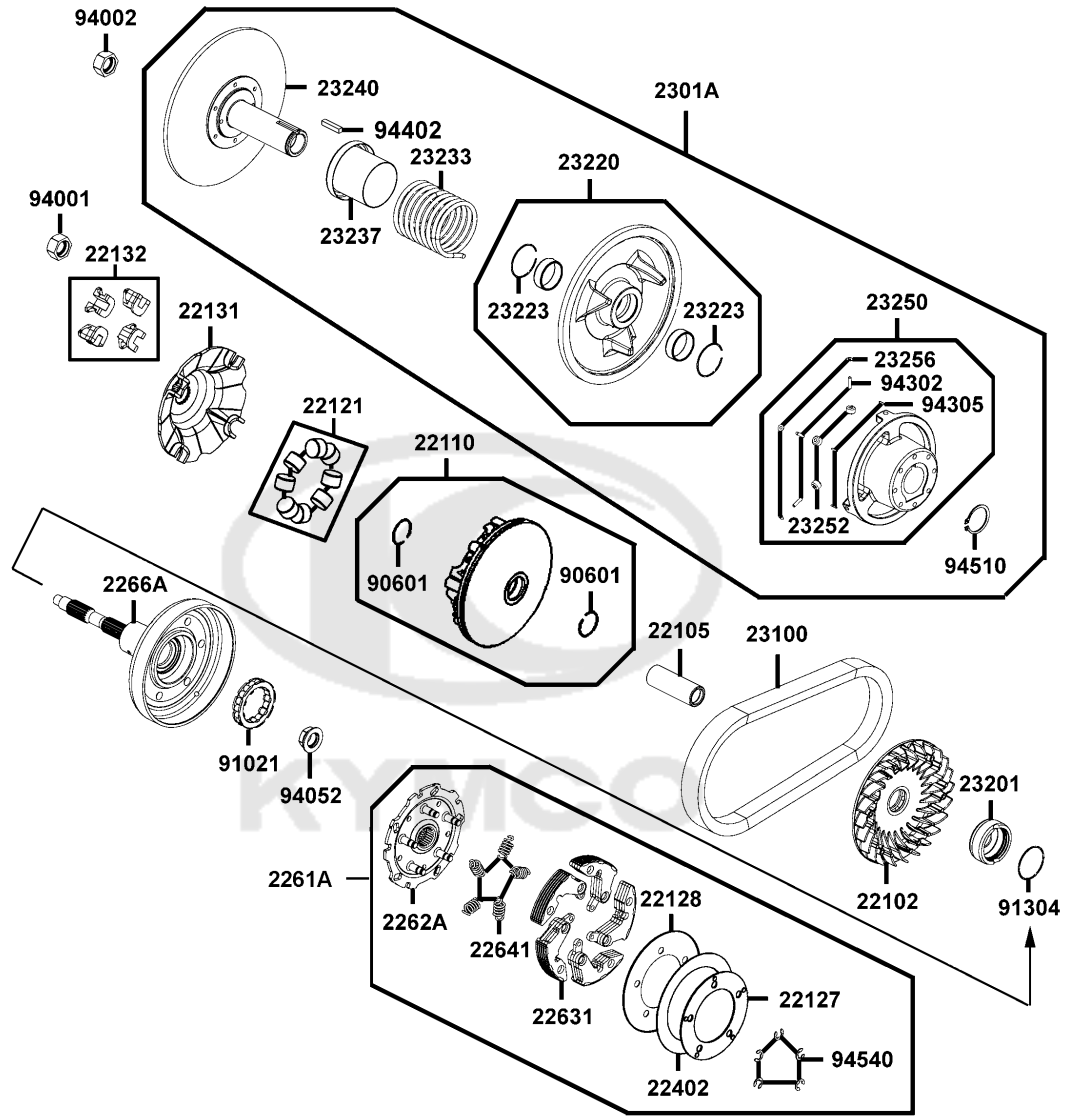
Drive Pulley



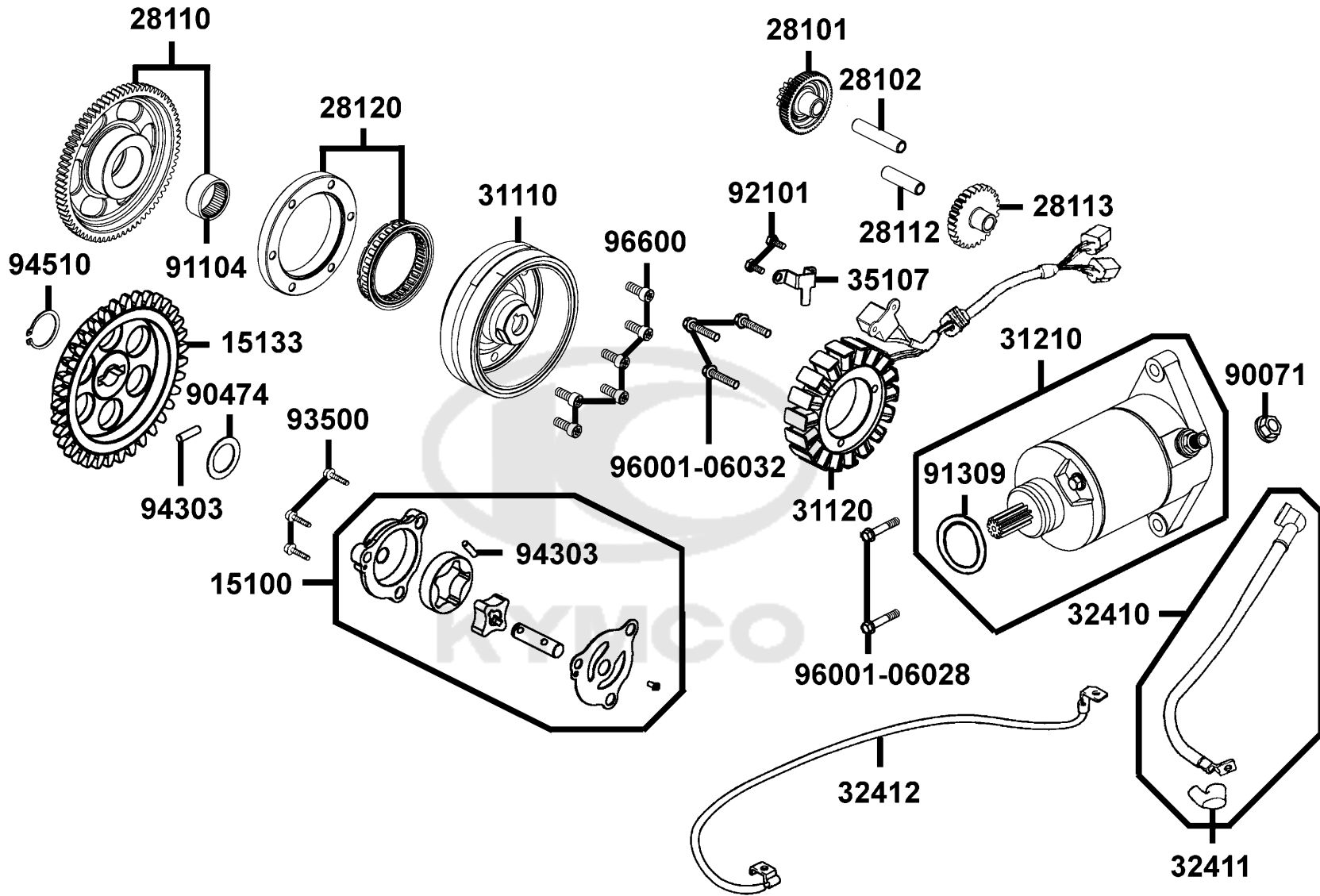
Sales mark	Ref no	Part no	Description	Reg description	Regd no	E06
	22102	22102-ZXA6-M01	FACE DRIVE	FACE DRIVE	1	
	22105	22105-ALE8-E00	BOSS DRIVE FACE	BOSS DRIVE FACE	1	
	22110	22110-ALE8-E00	FACE COMP MOVABLE	FACE COMP MOVABLE	1	
	22121	22121-LGC7-305	ROLLER SET WEIGHT (1SET:8PCS)	ROLLER SET WEIGHT (1SET:8PCS)	1	
	22127	22127-LFA5-900	SEAT ADJUSTER SPG	SEAT ADJUSTER SPG	1	
	22128	22128-LFA5-900	PLATE ADJUSTER	PLATE ADJUSTER	1	
	22131	22131-PWB1-900	PLATE RAMP	PLATE RAMP	1	
	22132	22132-PWB1-305	PIECE SLIDE SET (1SET:4PCS)	PIECE SLIDE SET (1SET:4PCS)	1	
	22402	22402-LFA5-900	SPR ADJUSTER	SPR ADJUSTER	1	
	2261A	2261A-LFA5-900	CLUTCH ASSY PRIMARY	CLUTCH ASSY PRIMARY	1	
	2262A	2262A-LFA5-900	PLATE COMP PRIMARY DRIVE	PLATE COMP PRIMARY DRIVE	1	
	22631	22631-LFA5-900	WEIGHT COMP PRIMARY CLUTCH	WEIGHT COMP PRIMARY CLUTCH	1	
	22641	22641-LFA5-900	PRIMARY CLUTCH SPRING	PRIMARY CLUTCH SPRING	1	
	2266A	2266A-LFA5-900	GEAR ASSY PRIMARY DRIVE	GEAR ASSY PRIMARY DRIVE	1	
	2301A	2301A-LGC7-E00	PULLEY SUB ASSY DEIVEN	PULLEY SUB ASSY DEIVEN	1	
	23100	23100-PWB1-900	BELT DRIVE	BELT DRIVE	1	
	23201	23201-PWB1-900	SPACER FIXED DRIVE	SPACER FIXED DRIVE	1	
	23220	23220-ZXA6-M01	FACE COMP MOVABLE	FACE COMP MOVABLE	1	
	23223	23223-LFA5-900	CLIP 38MM	CLIP 38MM	2	
	23233	23233-LGC7-E00	SPG DRIVEN FACE	SPG DRIVEN FACE	1	

E06

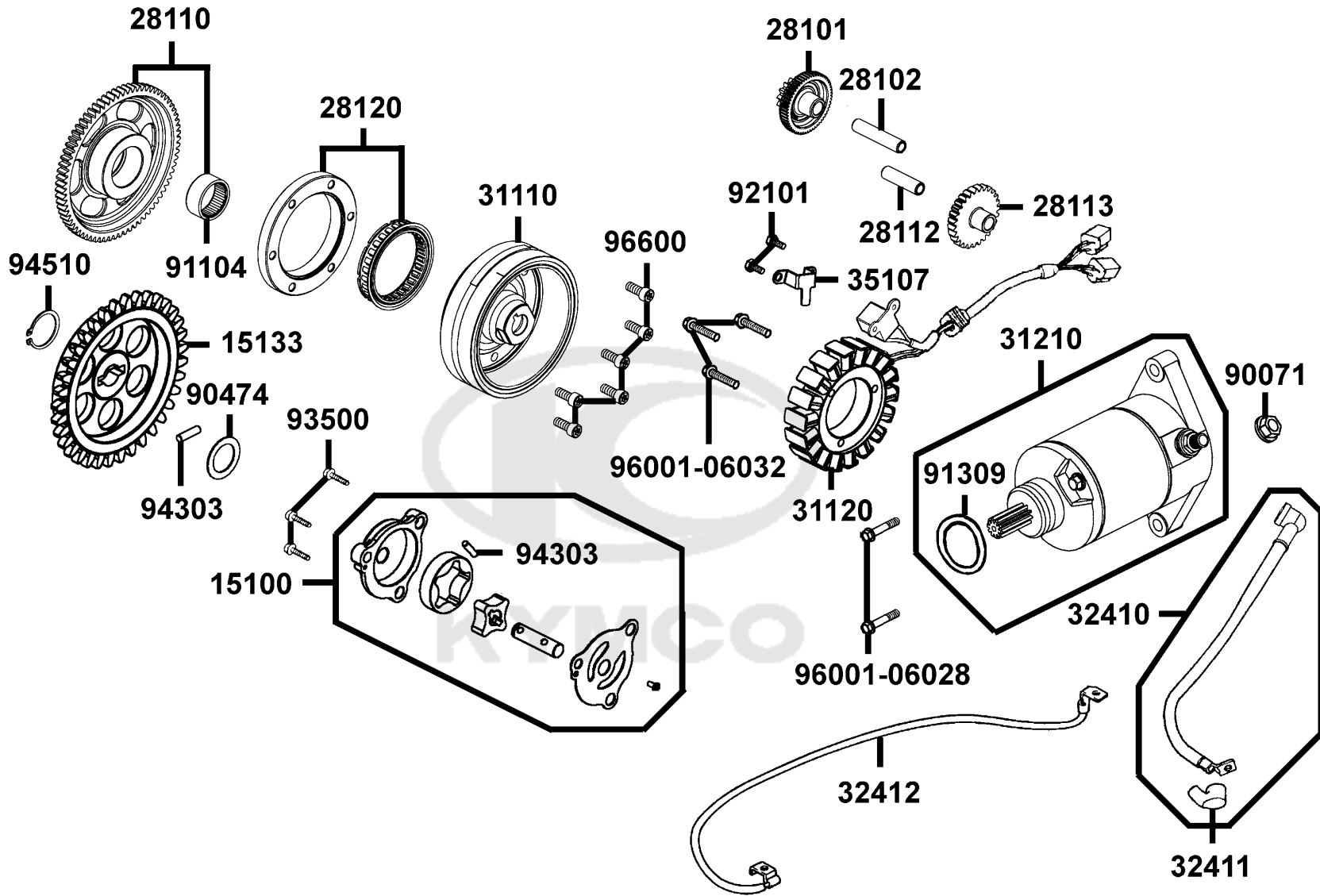
Drive Pulley



Sales mark	Ref no	Part no	Description	Reg description	Regd no	E06
23237		23237-PWB1-900	COLLAR SEAL	COLLAR SEAL	1	
23240		23240-ZXA6-M01	FACE ASSY DRIVEN	FACE ASSY DRIVEN	1	
23250		23250-ZXA6-M01	CAP ASSY DRIVEN CLUTCH	CAP ASSY DRIVEN CLUTCH	1	
23252		23252-PWB1-900	ROLLER DRIVEN CLUTCH	ROLLER DRIVEN CLUTCH	3	
23256		23256-PWB1-900	WASHER THRUST	WASHER THRUST	3	
90601		90601-LFA5-900	CLIP 30MM	CLIP 30MM	2	
91021		91021-LDB5-E00	BEARING ONE WAY	BEARING ONE WAY	1	
91304		91304-PWB1-900	O-RING STARTER CUP	O-RING STARTER CUP	1	
94001		94001-PWB1-900	NUT FLANGE 16MM	NUT FLANGE 16MM	1	
94002		94002-PWB1-900	NUT FLANGE 16MM	NUT FLANGE 16MM	1	
94052		94052-PWB1-900	NUT FLANGE 18MM	NUT FLANGE 18MM	1	
94302		94302-06025	PIN CAM ROLLER	PIN CAM ROLLER	3	
94305		94305-03161	PIN SPG 3x16	PIN SPG 3x16	3	
94402		94402-LFA5-900	KEY 6x6x30	KEY 6x6x30	1	
94510		94510-35150	CIRCLIP EX 35	CIRCLIP EX 35	1	
94540		94540-07017	E RING 7MM	E RING 7MM	5	



Sales mark	Ref no	Part no	Description	Reg description	Regd no	E07
	15100	15100-PWB1-900	OIL PUMP ASSY	OIL PUMP ASSY	1	
	15133	15133-PWB1-900	SPROCKET OIL PUMP DRIVEN	SPROCKET OIL PUMP DRIVEN	1	
	28101	28101-PWB1-900	GEAR STARTER REDUCTION	GEAR STARTER REDUCTION	1	
	28102	28102-PWB1-900	SHAFT STARTER REDUCTION GEAR	SHAFT STARTER REDUCTION GEAR	1	
	28110	28110-PWB1-900	GEAR COMP STARTING CLUTCH	GEAR COMP STARTING CLUTCH	1	
	28112	28112-PWB1-900	SHAFT A STARTER REDUCTION GEAR	SHAFT A STARTER REDUCTION GEAR	1	
	28113	28113-PWB1-900	GEAR A STARTER REDUCTION	GEAR A STARTER REDUCTION	1	
	28120	28120-PWB1-90A	OUTER COMP. STARTING CLUTCH	OUTER COMP. STARTING CLUTCH	1	
	31110	31110-PTA1-800	FLYWHEEL COMP (D406)	FLYWHEEL COMP (D406)	1	
	31120	31120-LFA5-E00	STATOR COMP (D406)	STATOR COMP (D406)	1	
	31210	31210-PTA1-800	MOTOR UNIT STARTER	MOTOR UNIT STARTER	1	
	32410	32410-PTA1-800	CABLE STARTER MOTOR	CABLE STARTER MOTOR	1	
	32411	32411-2C53-001	COVER STARTING MOTOR TERMINAL	COVER STARTING MOTOR TERMINAL	1	
	32412	32412-PTA1-800	CABLE EARTH	CABLE EARTH	1	
	35107	35107-PWB1-900	STAY A ACG STATOR	STAY A ACG STATOR	1	
	90071	90071-MLB0-001	NUT WASH 6MM	NUT WASH 6MM	1	
	90474	90474-1G47-001	WASHER 10.5MM	WASHER 10.5MM	1	
	91104	91104-PWB1-90A	BRG NEEDLE 31X39X18	BRG NEEDLE 31X39X18	1	
	91309	91309-4E25-004	O-RING 24.4*3.1	O-RING 24.4*3.1	1	
	92101	92101-05012-0G	BOLT HEX 5X12	BOLT HEX 5X12	1	



Sales mark	Ref no	Part no	Description	Reg description	Regd no	E07
93500		93500-06025-0FN	SCREW PAN 6X25	SCREW PAN 6X25	1	
94303		94303-04160	PIN 4x16	PIN 4x16	2	
94510		94510-10000	CIR CLIP EX 10MM	CIR CLIP EX 10MM	1	
96001-06028		96001-06028-08N	BOLT FLANGE SH 6X28	BOLT FLANGE SH 6X28	2	
96001-06032		96001-06032-06N	BOLT FLANGE SH 6X32	BOLT FLANGE SH 6X32	1	
96600		96600-LDB5-E00	SOCKET BOLT 8X20	SOCKET BOLT 8X20	6	



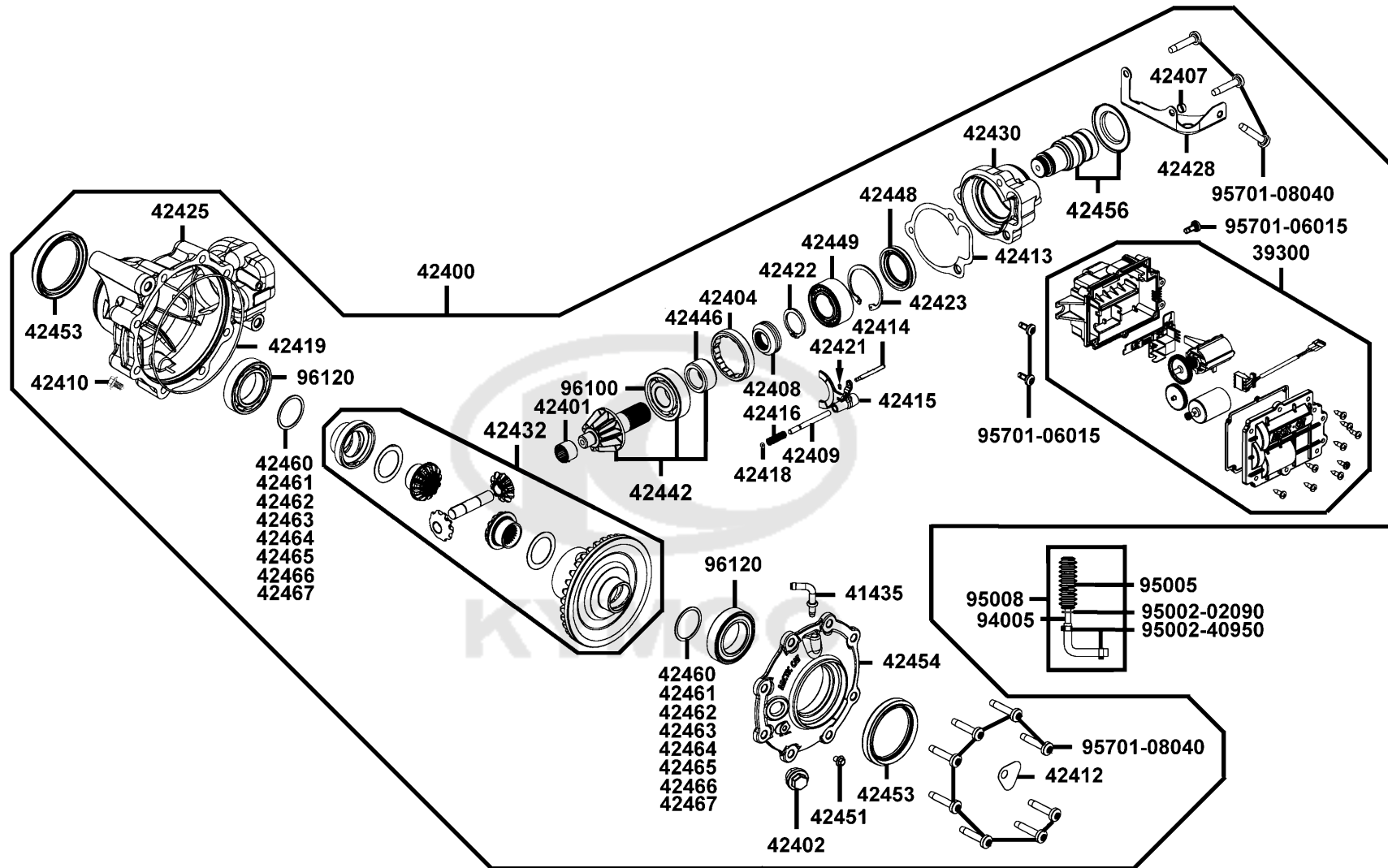
Sales mark	Ref no	Part no	Description	Reg description	Regd no	E08
23210		23210-PWB1-900	SHAFT COMP MAIN	SHAFT COMP MAIN	1	
23230		23230-PWB1-900	SHAFT BACKWARD IDLE	SHAFT BACKWARD IDLE	1	
23411		23411-PTA1-900	SHAFT DRIVE	SHAFT DRIVE	1	
23421		23421-PWB1-900	SHAFT COUNTER	SHAFT COUNTER	1	
23425		23425-PWB1-900	BUSH BACKWARD IDLE GEAR	BUSH BACKWARD IDLE GEAR	1	
23451		23451-PWB1-900	GEAR BACKWARD DRIVEN 32T	GEAR BACKWARD DRIVEN 32T	1	
23471		23471-PWB1-900	SHIFT, FORWARD&LOW	SHIFT, FORWARD&LOW	1	
23472		23472-PWB1-900	RING 25 INNER	RING 25 INNER	3	
23473		23473-PWB1-900	COLLAR 20X30X9.5	COLLAR 20X30X9.5	1	
23481		23481-PWB1-900	SHIFT BACKWARD	SHIFT BACKWARD	1	
23510		23510-PWB1-900	GEAR FORWARD DRIVEN 19T	GEAR FORWARD DRIVEN 19T	1	
23511		23511-PTA1-900	GEAR FORWARD DRIVEN 32T	GEAR FORWARD DRIVEN 32T	1	
23512		23512-PWB1-900	GEAR LOWER DRIVEN 40T	GEAR LOWER DRIVEN 40T	1	
23518		23518-PWB1-900	BEVEL GEAR DRIVE	BEVEL GEAR DRIVE	1	
23521		23521-PWB1-900	GEAR BACKWARD IDLE 28T	GEAR BACKWARD IDLE 28T	1	
24221		24221-PWB1-900	FORK SHIFT	FORK SHIFT	2	
24241		24241-PWB1-900	SHAFT SHIFT FORK	SHAFT SHIFT FORK	1	
24242		24242-PWB1-900	SHAFT DRUM GEAR SHIFT	SHAFT DRUM GEAR SHIFT	1	
24301		24301-PWB1-900	DRUM FORWARD	DRUM FORWARD	1	
24302		24302-PWB1-900	DRUM BACKWARD	DRUM BACKWARD	1	

Sales mark	Ref no	Part no	Description	Reg description	Regd no	E08
24305		24305-PWB1-900	SPRING DRUM	SPRING DRUM	2	
24310		24310-PWB1-900	DRUM ASSY GEAR SHIFT	DRUM ASSY GEAR SHIFT	1	
24411		24411-PWB1-900	GEAR DRUM SHIFT	GEAR DRUM SHIFT	1	
24430		24430-PWB1-900	STOPPER COMP DRUM	STOPPER COMP DRUM	1	
24435		24435-PTA1-800	SPRING TORSION CAM ARM	SPRING TORSION CAM ARM	1	
24610		24610-PWB1-900	SPINDLE COMP DRUM SHIFT	SPINDLE COMP DRUM SHIFT	1	
2461A		2461A-PWB1-900	SPINDLE ASSY DRUM SHIFT	SPINDLE ASSY DRUM SHIFT	1	
90202		90202-PWB1-900	NUT DRIVE B GEAR M20X1.5	NUT DRIVE B GEAR M20X1.5	1	
90322		90322-PWB1-900	SHIM DRIVEN BEVEL GEAR L	SHIM DRIVEN BEVEL GEAR L (1.125~1.175)	1	
90435		90435-HCB3-001	WASHER 6.1MM	WASHER 6.1MM	1	
90446		90446-PWB1-900	WASHER 25X32X1	WASHER 25X32X1	3	
90451		90451-LBA7-900	WASHER THRUST 20MM	WASHER THRUST 20MM	1	
90452		90452-LBA7-900	WASHER THRUST 25MM	WASHER THRUST 25MM	2	
90453		90453-1G07-001	WASHER THRUST 20M/M	WASHER THRUST 20M/M	1	
90454		90454-KED9-900	WASHER THRUST 20*1	WASHER THRUST 20*1	2	
90455		90455-LBA7-900	WASHER SPLINE 25MM	WASHER SPLINE 25MM	3	
90459		90459-PWB1-900	WASHER 12X20X1	WASHER 12X20X1	2	
90474		90474-7D04-000	WASHER 6*17*23	WASHER 6*17*23	1	
91021		91021-PWB1-90B	BRG NEEDLE KT30X35X12.8	BRG NEEDLE KT30X35X12.8	3	
94050		94050-06080	NUT FLANGE 6MM	NUT FLANGE 6MM	1	

Sales mark	Ref no	Part no	Description	Reg description	Regd no	E08
	94510-12000	94510-12000	CIR CLIP EXTERNAL 12	CIR CLIP EXTERNAL 12	2	
	94510-25000	94510-25000	CIR CLIP EXTERNAL 25	CIR CLIP EXTERNAL 25	8	
	94611	94611-PWB1-900	CLIP DRUM SHAFT	CLIP DRUM SHAFT	1	
	95601	95601-PWB1-900	SUPPORT CAM STOPPER	SUPPORT CAM STOPPER	1	
	95701	95701-06025-06	BOLT FLANGE 6*25	BOLT FLANGE 6*25	1	
	96220	96220-40080	ROLLER 4*8	ROLLER 4*8	1	

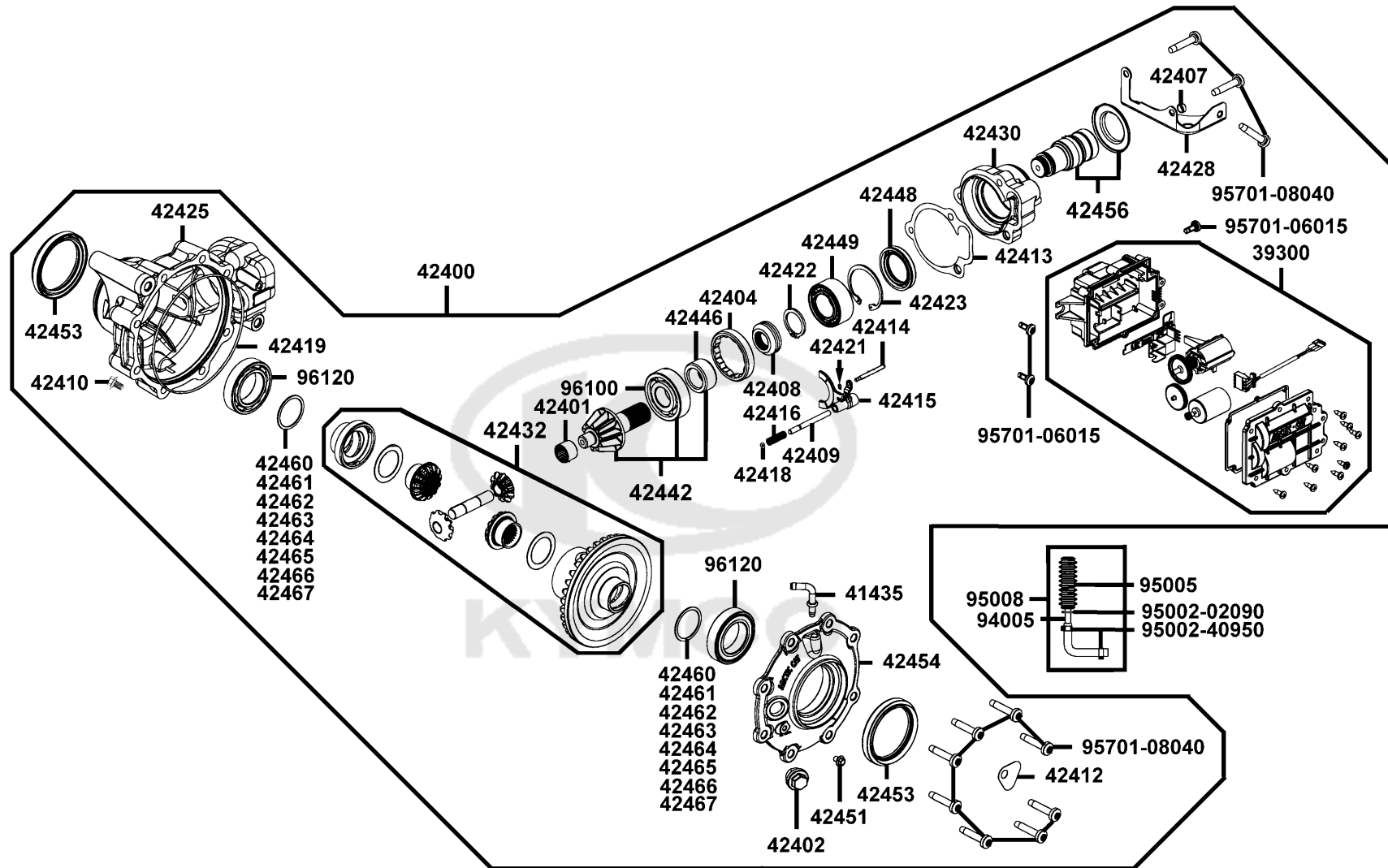


GEARCASE FRONT (3.1) ASSEMBLY



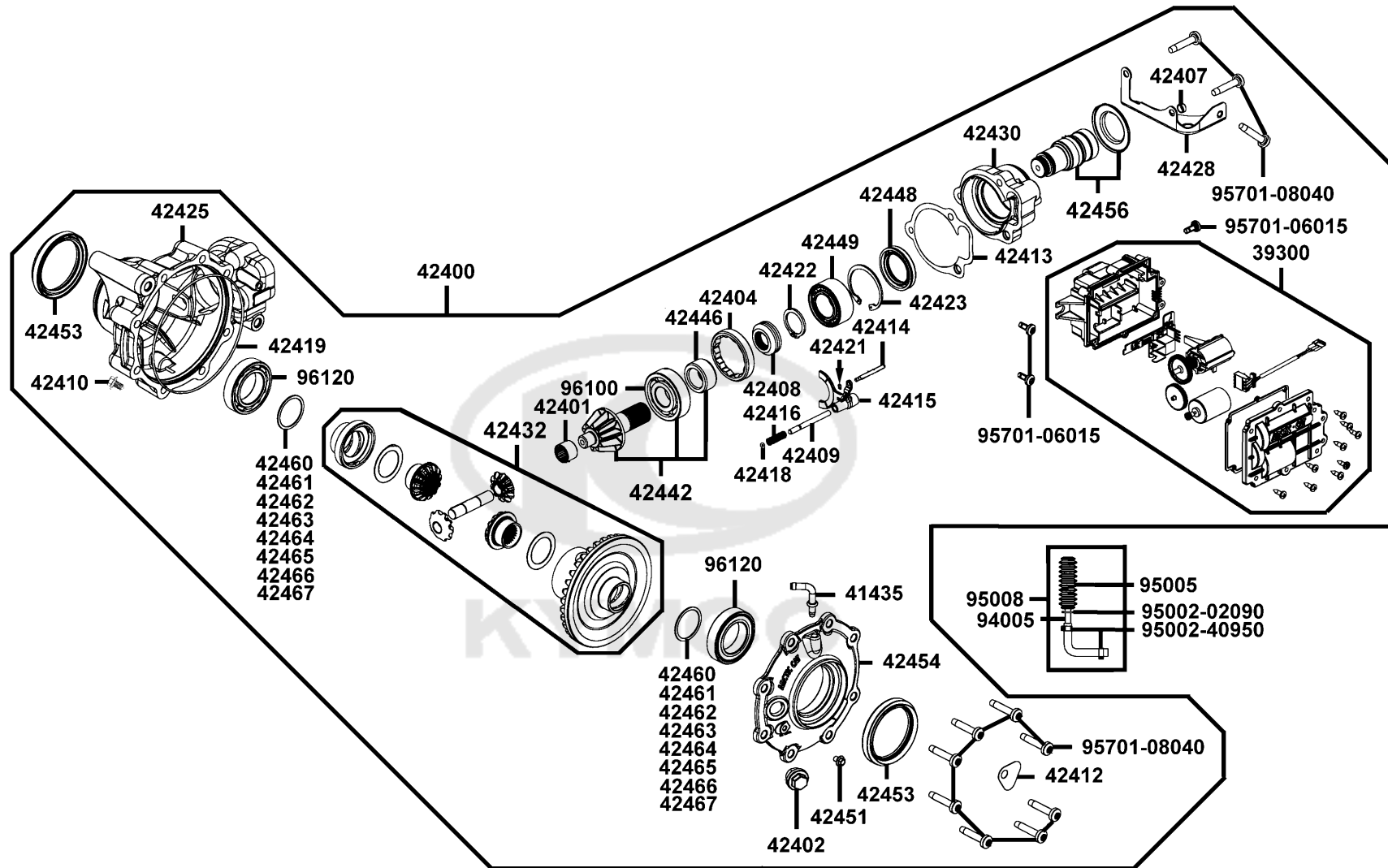
Sales mark	Ref no	Part no	Description	Reg description	Regd no	E09
39300		39300-LFA5-E00	2*4 ACTUATOR ASM	2*4 ACTUATOR ASM	1	
41435		41435-LFA5-900	BARB 90 DEG	BARB 90 DEG	1	
42400		42400-LGC3-900	GEARCASE FRONT (3.1) ASSEMBLY	GEARCASE FRONT (3.1) ASSEMBLY	1	
42401		42401-LFA5-90B	BEARING.NEEDLE(16NQ2316)	BEARING.NEEDLE(16NQ2316)	1	
42402		42402-LFA5-900	PLUG FILL	PLUG FILL	1	
42404		42404-LFA5-900	COLLAR LOCK M64X1.5 RH	COLLAR LOCK M64X1.5 RH	1	
42407		42407-LFA5-900	PIN DOWEL	PIN DOWEL	1	
42408		42408-LFA5-900	COUPLER DRIVE	COUPLER DRIVE	1	
42409		42409-LFA5-900	SHAFT SHUTTLE	SHAFT SHUTTLE	1	
42410		42410-LFA5-900	PLUG DRAIN MAG	PLUG DRAIN MAG	1	
42412		42412-LFA5-900	TAG ID GEARCASE	TAG ID GEARCASE	1	
42413		42413-LFA5-900	GASKET FLANGE	GASKET FLANGE	1	
42414		42414-LFA5-900	SHAFT SELECTOR	SHAFT SELECTOR	1	
42415		42415-LFA5-900	FORK SELECTOR	FORK SELECTOR	1	
42416		42416-LFA5-900	SPRING RETURN 4WD	SPRING RETURN 4WD	1	
42418		42418-LFA5-900	O-RING 3*2MM	O-RING 3*2MM	1	
42419		42419-LFA5-900	O-RING 150*2MM	O-RING 150*2MM	1	
42421		42421-LFA5-900	RING RETAINING (4mm EXT)	RING RETAINING (4mm EXT)	1	
42422		42422-LFA5-900	RING RETAINING ONE	RING RETAINING ONE	1	
42423		42423-LFA5-900	RING RETAINING	RING RETAINING	1	


GEARCASE FRONT (3.1) ASSEMBLY

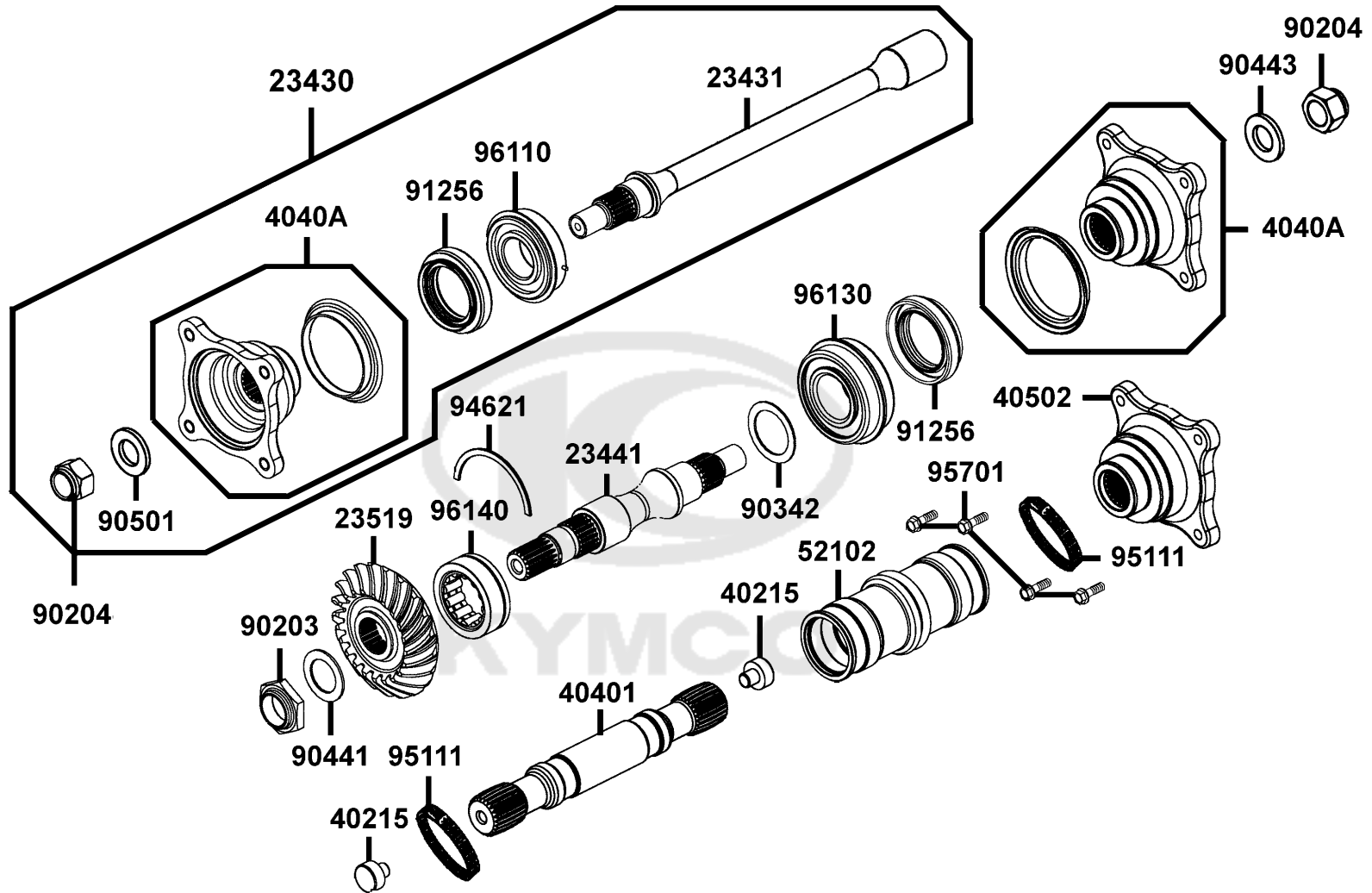


Sales mark	Ref no	Part no	Description	Reg description	Regd no	E09
42425		42425-LFA5-900	HOUSING GEARCASE-FRONT MACH	HOUSING GEARCASE-FRONT MACH	1	
42428		42428-LFA5-900	BRACKET ACTUATOR WELDT	BRACKET ACTUATOR WELDT	1	
42430		42430-LFA5-900	HOUSING PINION MACH	HOUSING PINION MACH	1	
42432		42432-LFA5-900	GEAR(34 TOOTH 3.1)-WELDMENT	GEAR(34 TOOTH 3.1)-WELDMENT	1	
42442		42442-LFA5-900	PINION(11 TOOTH)-ASSEMBLY	PINION(11 TOOTH)-ASSEMBLY	1	
42446		42446-LFA5-900	COLLAR RETAINING	COLLAR RETAINING	1	
42448		42448-LFA5-900	SEAL 38*55*14	SEAL 38*55*14	1	
42449		42449-LFA5-90B	BEARING.BALL-DOUBLE ROW	BEARING.BALL-DOUBLE ROW	1	
42451		42451-LFA5-900	PLUG OIL LEVEL	PLUG OIL LEVEL	1	
42453		42453-LGC3-900	OIL SEAL 48*84*9	OIL SEAL 48*84*9	1	
42454		42454-LFA5-900	COVER GEARCASE-FR MACH	COVER GEARCASE-FR MACH	1	
42456		42456-LFA5-900	SHAFT INPUT ASSEMBLY	SHAFT INPUT ASSEMBLY	1	
42460		42460-LFA5-900	SHIM 41*49*1.0	SHIM 41*49*1.0	1	
42461		42461-LFA5-900	SHIM 41*49*1.1	SHIM 41*49*1.1	1	
42462		42462-LFA5-900	SHIM 41*49*1.2	SHIM 41*49*1.2	1	
42463		42463-LFA5-900	SHIM 41*49*1.3	SHIM 41*49*1.3	1	
42464		42464-LFA5-900	SHIM 41*49*1.4	SHIM 41*49*1.4	1	
42465		42465-LFA5-900	SHIM 41*49*1.5	SHIM 41*49*1.5	1	
42466		42466-LFA5-900	SHIM 41*49*1.6	SHIM 41*49*1.6	1	
42467		42467-LFA5-900	SHIM 41*49*1.7	SHIM 41*49*1.7	1	

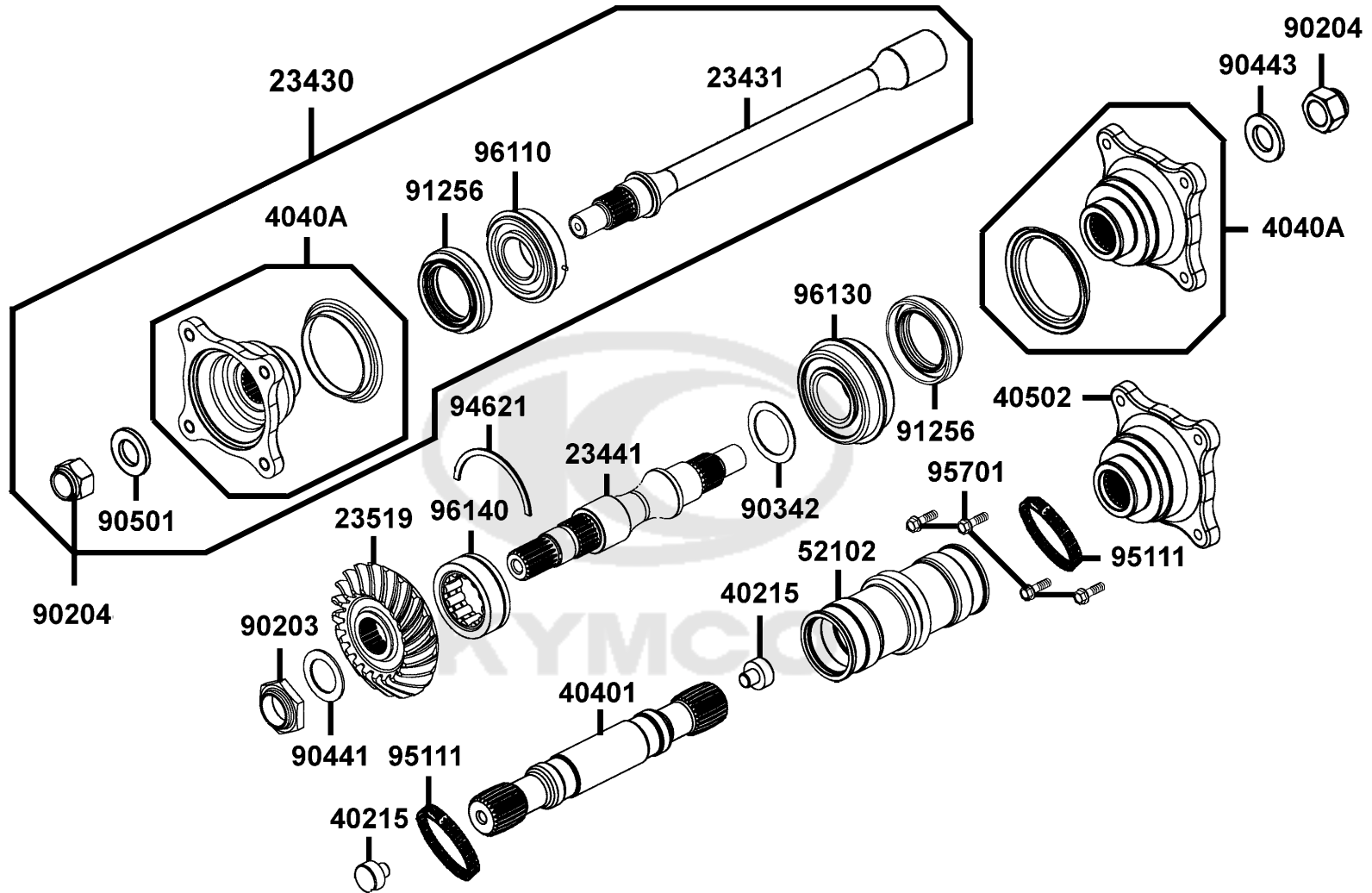
GEARCASE FRONT (3.1) ASSEMBLY



Sales mark	Ref no	Part no	Description	Reg description	Regd no	E09
	94005	94005-PWB1-900	HOSE BARB INTAKE MANIFOLD	HOSE BARB INTAKE MANIFOLD	1	
	95002-02090	95002-02090	CLIP B9 TUBE	CLIP B9 TUBE	1	
	95002-40950	95002-40950-08	CLAMP D9.5 TUBE	CLAMP D9.5 TUBE	1	
	95005	95005-PWB1-900	BREATH TUBE RR GEAR ASSY	BREATH TUBE RR GEAR ASSY	1	
	95008	95008-PWB1-900	HOSE VENT-GEARCASE (64mm)	HOSE VENT-GEARCASE (64mm)	1	
	95701-08040	95701-08040-06	BOLT FLANGE 8x40 (G)	BOLT FLANGE 8x40 (G)	1	
	96100	96100-63050-00	BRG BALL RADIAL 6305	BRG BALL RADIAL 6305	1	
						



Sales mark	Ref no	Part no	Description	Reg description	Regd no	E10
	23430	23430-PWB1-900	SHAFT ASSY FINAL DRIVEN FR	SHAFT ASSY FINAL DRIVEN FR	1	
	23431	23431-PWB1-900	SHAFT FINAL DRIVEN FRONT	SHAFT FINAL DRIVEN FRONT	1	
	23441	23441-PWB1-900	SHAFT FINAL DRIVEN REAR	SHAFT FINAL DRIVEN REAR	1	
	23519	23519-PWB1-900	BEVEL GEAR DRIVEN	BEVEL GEAR DRIVEN	1	
	40215	40215-PWB1-900	BUMPER DRIVESHAFT	BUMPER DRIVESHAFT	2	
	40401	40401-PWB1-900	SHAFT PROPELLER FRONT	SHAFT PROPELLER FRONT	1	
	4040A	4040A-PWB1-900	COUPLING REAR OUTPUT SHAFT	COUPLING REAR OUTPUT SHAFT	2	
	40502	40502-PRB2-900	FLANGE OUTPUT	FLANGE OUTPUT	1	
	52102	52102-PWB1-900	BOOT COUPLER-FRONT	BOOT COUPLER-FRONT	1	
	90203	90203-PWB1-900	NUT DRIVEN B GEAR M22X1.5	NUT DRIVEN B GEAR M22X1.5	1	
	90204	90204-PWB1-910	NUT HEX SHOULDER (M16X1.5)	NUT HEX SHOULDER (M16X1.5)	1	
	90342	90342-PWB1-900	SHIM DRIVEN BEVEL GEAR L	SHIM DRIVEN BEVEL GEAR L (1.125~1.175)	1	
	90441	90441-LBA2-E00	WASHER 22*34*2.5	WASHER 22*34*2.5	1	
	90443	90443-KKE5-E00	WASHER 16mm	WASHER 16mm	1	
	90501	90501-KNBN-901	WASHER 16MM	WASHER 16MM	1	
	91256	91256-PWB1-900	OIL SEAL 34X52X9	OIL SEAL 34X52X9	2	
	94621	94621-PWB1-900	RING DRIVEN BEARING	RING DRIVEN BEARING	1	
	95111	95111-PWB1-900	CLAMP BOOT	CLAMP BOOT	2	
	95701	95701-08020-06	BOLT FLANGE 8*20MM **07 C.2005.07.01	BOLT FLANGE 8*20MM **07 C.2005.07.01	4	
	96110	96110-PWB1-900	BRG BALL SNAP 25X52X15	BRG BALL SNAP 25X52X15	1	



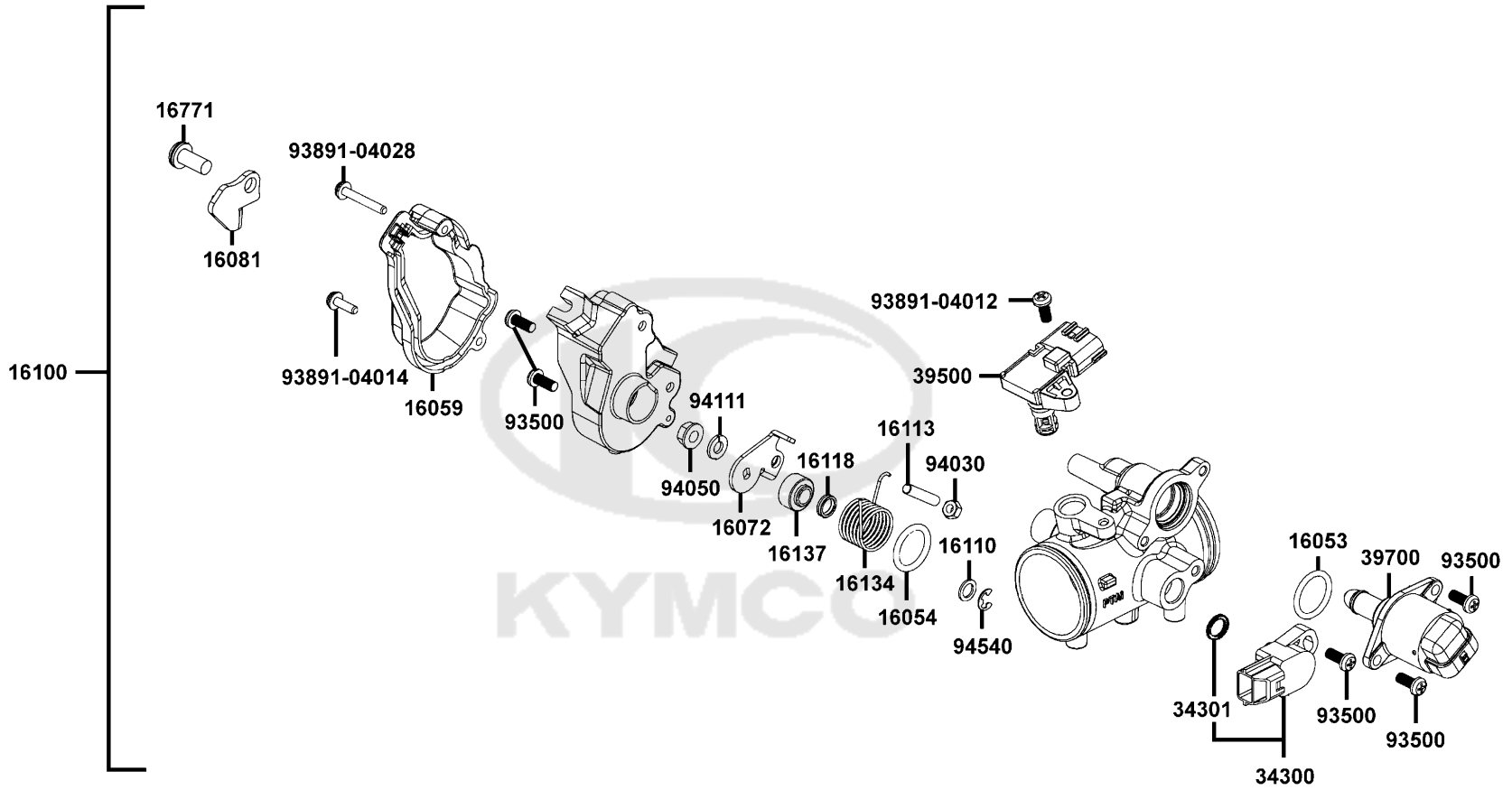
Sales mark	Ref no	Part no	Description	Reg description	Regd no	E10
------------	--------	---------	-------------	-----------------	---------	------------

96130		96130-PWB1-900	BEARING BALL D/R 25X52X20.6	BEARING BALL D/R 25X52X20.6	1	
96140		96140-PWB1-900	BRG ROLLER 30X50X17	BRG ROLLER 30X50X17	1	



E11

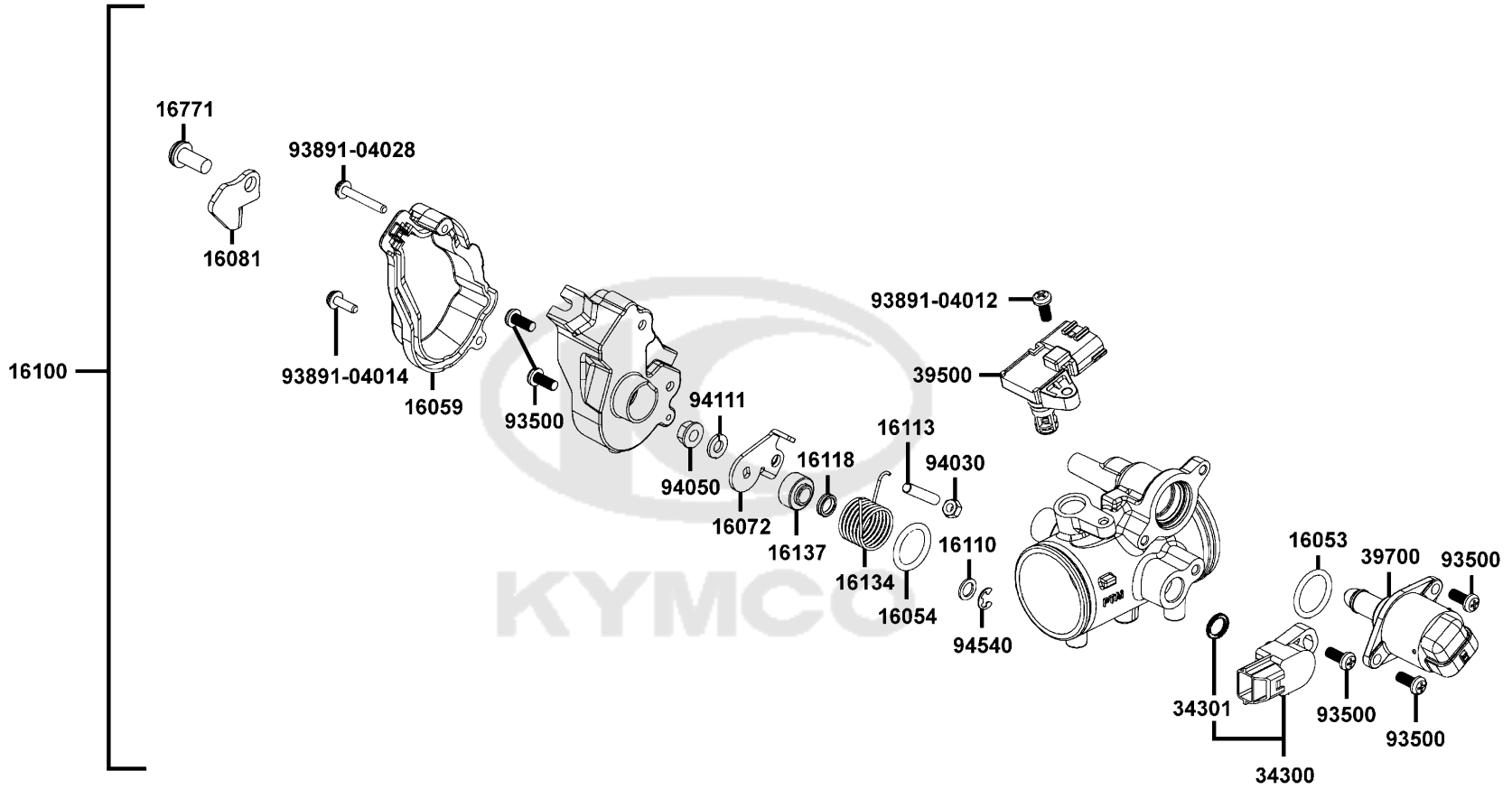
Throttle Body Assy



Sales mark	Ref no	Part no	Description	Reg description	Regd no	E11
	16053	16053-PTA1-800	SEAL	SEAL	1	
	16054	16054-PTA1-800	OIL RING	OIL RING	1	
**	16059	16059-LDB5-E00	COVER WIRE STAY	COVER WIRE STAY	1	
	16072	16072-PTA1-800	DRUM. THROTTLE	DRUM. THROTTLE	1	
	16081	16081-LKM5-E00	STOPPER DRUM THROTTLE	STOPPER DRUM THROTTLE	1	
	16100	16100-BAD7-E00	THROTTLE BODY ASSY	THROTTLE BODY ASSY	1	
	16110	16110-KGC5-900	WASHER SHAFT ASSY	WASHER SHAFT ASSY	1	
	16113	16113-PTA1-800	PILOT SCREW	PILOT SCREW	1	
	16118	16118-LBF2-900	SEAL THROTTLE SHAFT	SEAL THROTTLE SHAFT	1	
	16134	16134-LDB5-E00	SPG THROTTLE SHAFT	SPG THROTTLE SHAFT	1	
	16137	16137-PTA1-800	COLLAR LEVER	COLLAR LEVER	1	
	16771	16771-GKAK-220	SCREW-WASHER M4*30	SCREW-WASHER M4*30	2	
	34300	34300-KKE3-900	THROTTLE POSITION SENSOR	THROTTLE POSITION SENSOR	1	
	34301	34301-KKE3-900	O-RING T.P.S.	O-RING T.P.S.	1	
	39500	39500-PTA1-800	SENSOR T-MAP	SENSOR T-MAP	1	
	39700	39700-PTA1-800	BY PASS VALVE IDLE AIR	BY PASS VALVE IDLE AIR	1	
	93500	93500-05012-0F	SCREW PAN 5X12	SCREW PAN 5X12	1	
	93891-04012	93891-04012-06	SCREW WASH 4*12	SCREW WASH 4*12	1	
	93891-04014	93891-04014-06	SCREW WASHER 4X14	SCREW WASHER 4X14	1	
	93891-04028	93891-04028-06	SCREW WASHER 4X28	SCREW WASHER 4X28	1	

E11

Throttle Body Assy



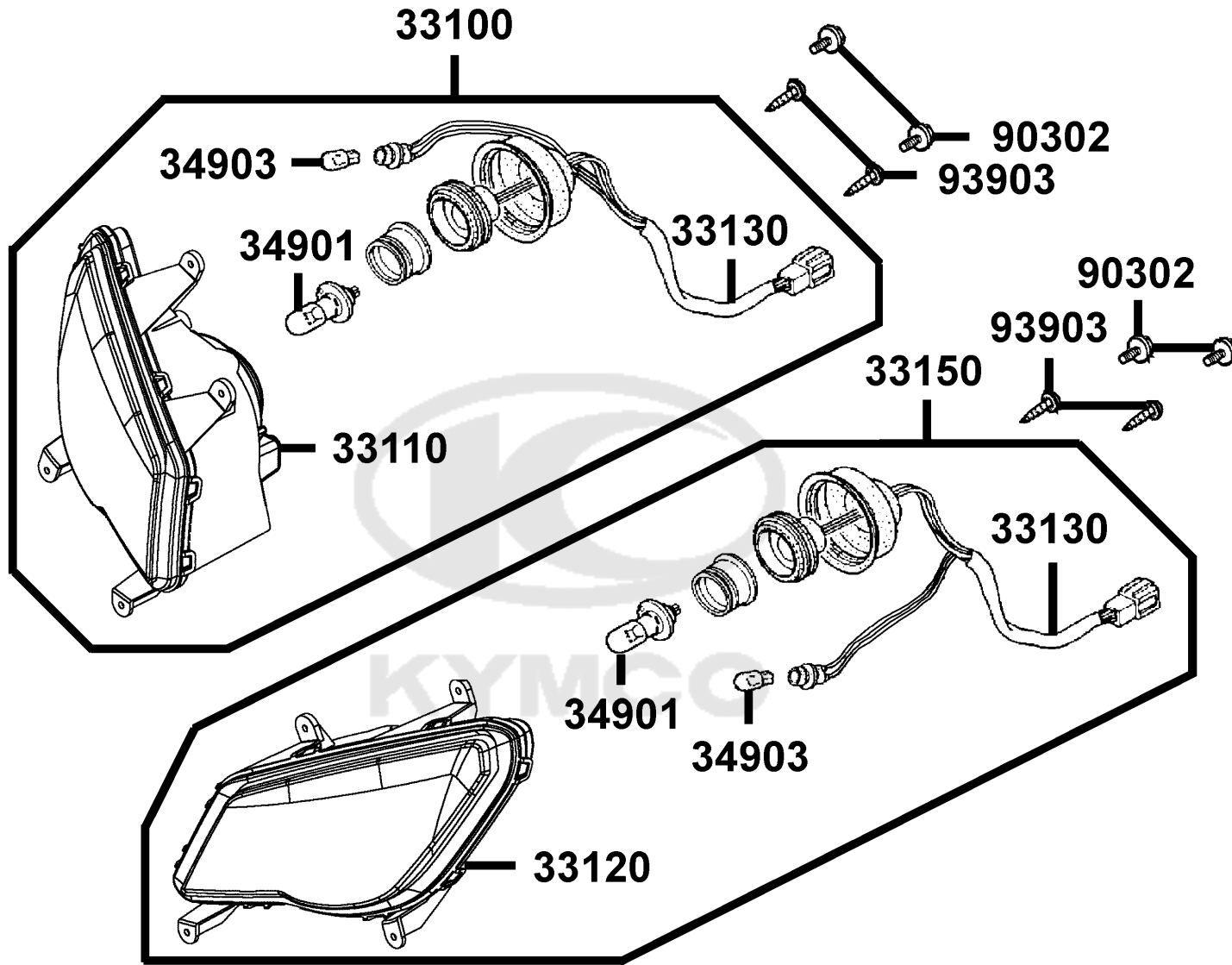
Sales mark	Ref no	Part no	Description	Reg description	Regd no	E11
------------	--------	---------	-------------	-----------------	---------	------------

94030	94030-PTA1-800	94030-PTA1-800	NUT HEX 5mm	NUT HEX 5mm	1	
94050	94050-06080	94050-06080	NUT FLANGE 6MM	NUT FLANGE 6MM	1	
94111	94111-06800	94111-06800	WASHER SPRING 6MM	WASHER SPRING 6MM	1	
94540	94540-50029	94540-50029	E CLIP SHAFT	E CLIP SHAFT	1	



F01

Head Light

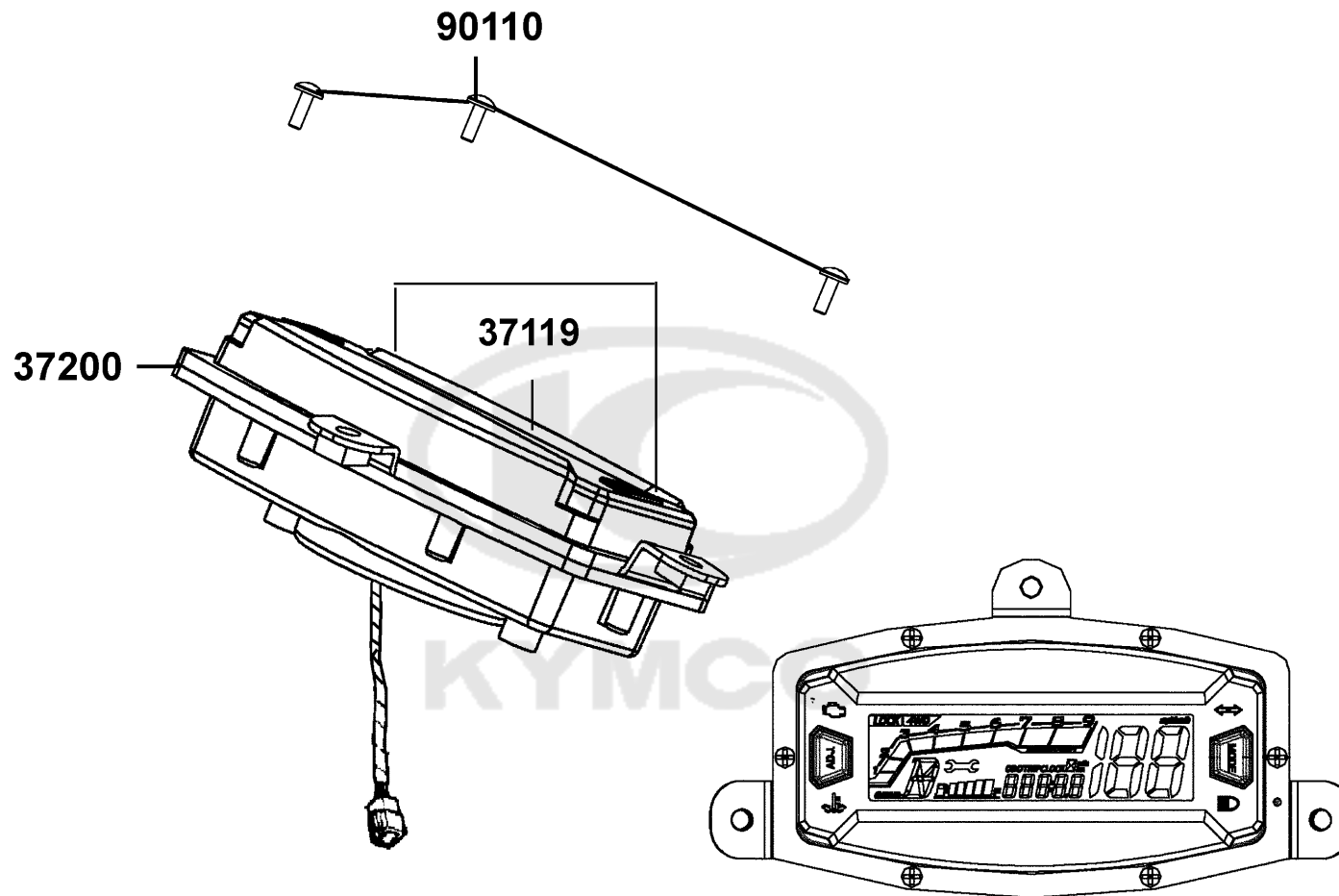


Sales mark	Ref no	Part no	Description	Reg description	Regd no	F01
33100		33100-LFA5-E00	LIGHT ASS'Y R HEAD	LIGHT ASS'Y R HEAD	1	
33110		33110-LFA5-E00	UNIT HEAD LIGHT R	UNIT HEAD LIGHT R	1	
33120		33120-LFA5-E00	UNIT HEAD LIGHT L	UNIT HEAD LIGHT L	1	
33130		33130-LFA5-E00	SOCKET COMP	SOCKET COMP	1	
33150		33150-LFA5-E00	LIGHT ASSY L HEAD	LIGHT ASSY L HEAD	1	
34901		34901-KFA6-900	BULB HEAD LIGHT (HSI 12V 35/35W)	BULB HEAD LIGHT (HSI 12V 35/35W)	1	
34903		34903-KPCP-900	BULB POSITION LIGHT 12V5W	BULB POSITION LIGHT 12V5W	2	
90302		90302-PWA1-900	BOLT-WASH 5*16	BOLT-WASH 5*16	2	
93903		93903-35260	SCREW TAPPING 5*12	SCREW TAPPING 5*12	4	



F02

DIGITAL GAUGE



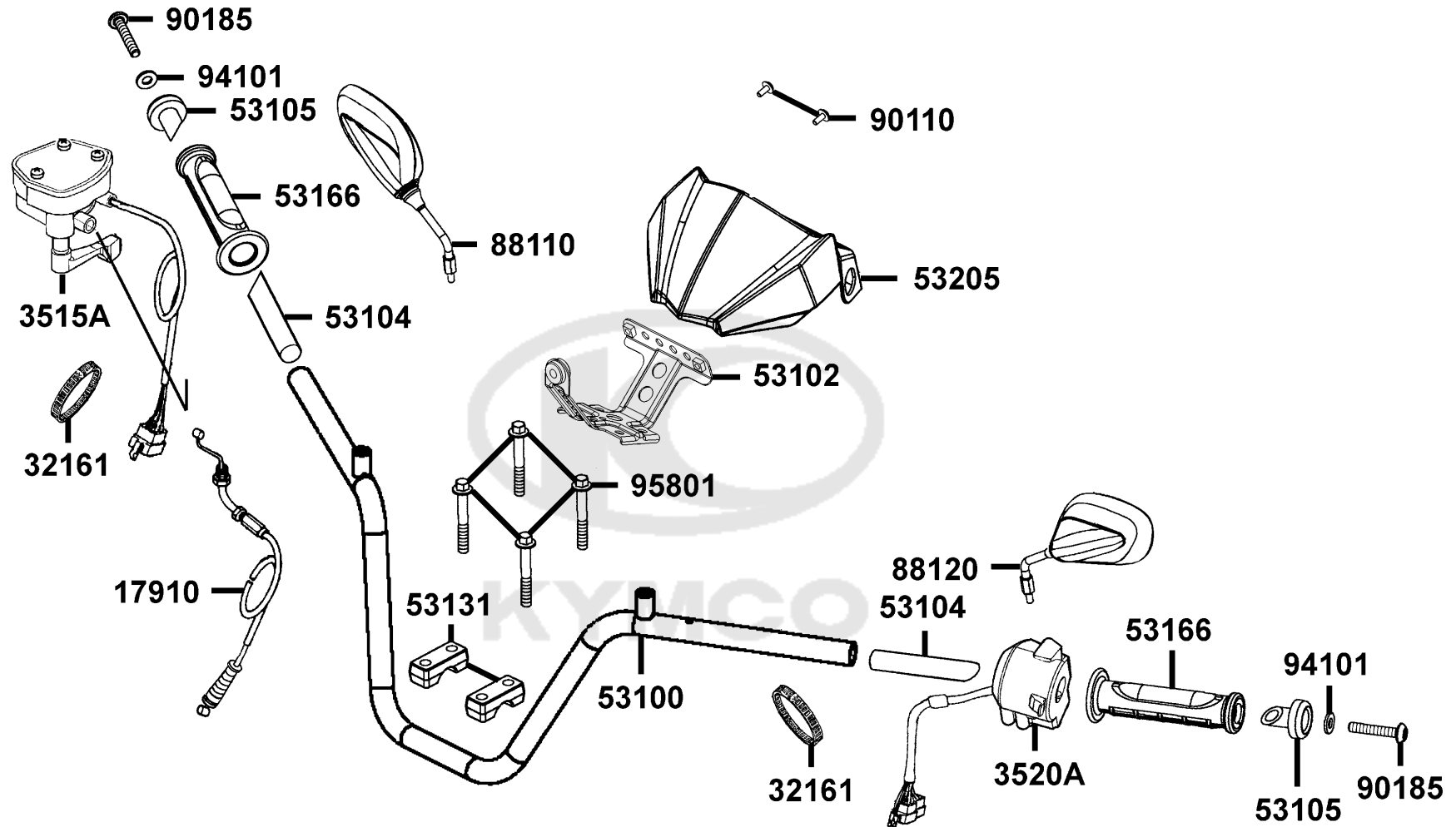
Sales mark	Ref no	Part no	Description	Reg description	Regd no	F02
------------	--------	---------	-------------	-----------------	---------	------------

37119		37119-PTA1-800	LENS ASSY	LENS ASSY	1	
37200		37200-BAD9-E00	METER ASSY SPEED	METER ASSY SPEED	1	
90110		90110-PRB3-900	SCREW SPECUAL 5x16	SCREW SPECUAL 5x16	3	



F03

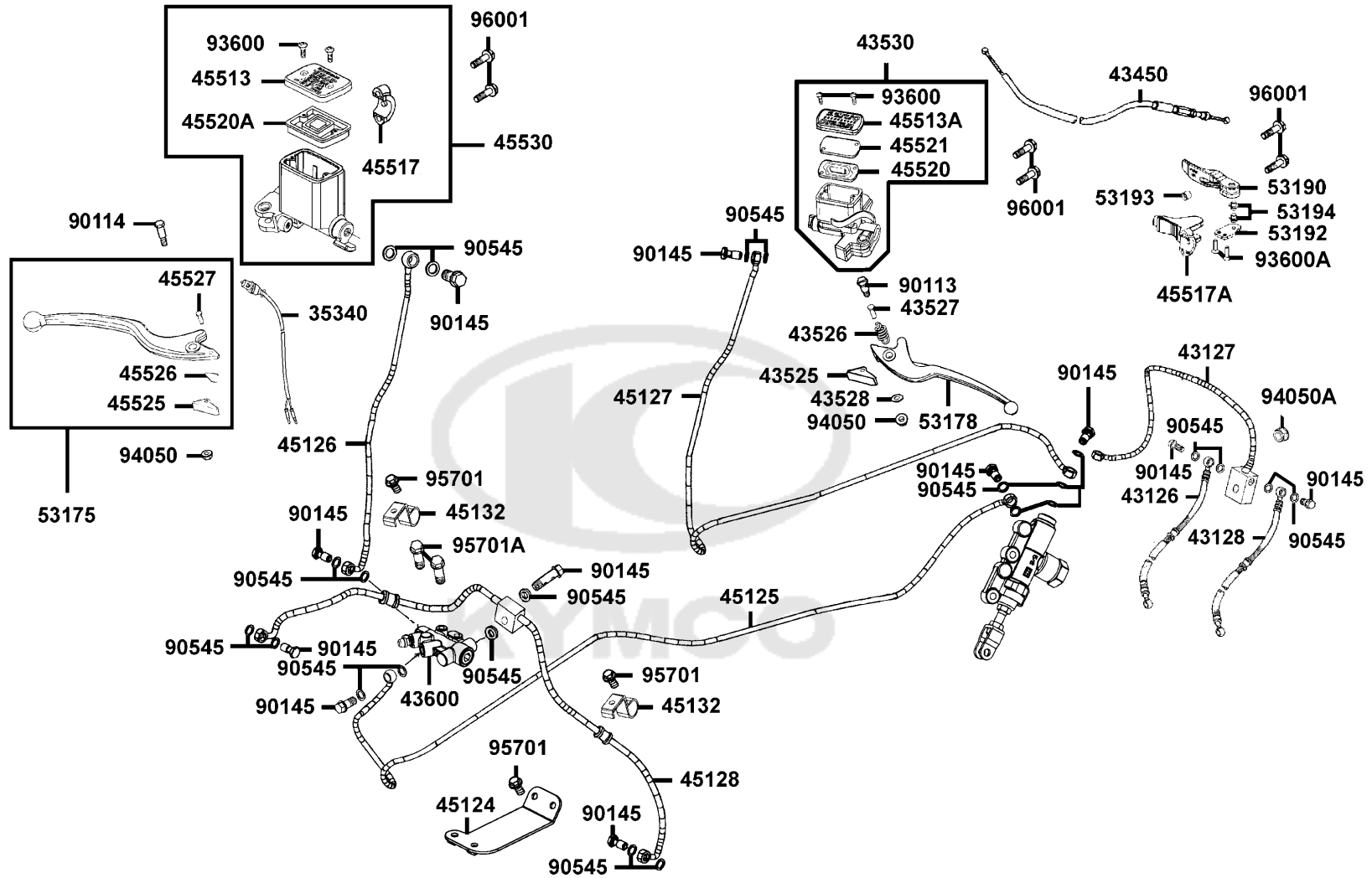
Tube Handlebar



Sales mark	Ref no	Part no	Description	Reg description	Regd no	F03
	17910	17910-LFA5-E00	CABLE COMP THROT	CABLE COMP THROT	1	
	32161	32161-4D04-001	BAND BI WIRE	BAND BI WIRE	2	
	3515A	3515A-AED1-E00	SW & THROT ASS'Y RH HANDLE	SW & THROT ASS'Y RH HANDLE	1	
	3520A	3520A-LDB5-EV0	SW ASSY HANDLE COMP (A.H.C.)	SW ASSY HANDLE COMP (A.H.C.)	1	
	53100	53100-LFA5-E00	TUBE HANDLEBAR	TUBE HANDLEBAR	1	
	53102	53102-LGC3-E00	STAY HANDLE COVER	STAY HANDLE COVER	1	
	53104	53104-PWB1-900	PLUG HANDLEBAR	PLUG HANDLEBAR	2	
	53105	53105-PWB1-900	END HANDLEBAR-BLACK	END HANDLEBAR-BLACK	2	
	53131	53131-PWB1-900	CAP STEERING ADJUSTER	CAP STEERING ADJUSTER	2	
	53166	53166-PWB1-900	GRIP HANDLEBAR	GRIP HANDLEBAR	2	
**	53205	53205-LKK7-EV0	COVER HANDLE	COVER HANDLE	1	
	88110	88110-LBA7-E00	MIRROR ASSY R BACK	MIRROR ASSY R BACK	1	
	88120	88120-LBA7-E00	MIRROR ASSY L BACK	MIRROR ASSY L BACK	1	
	90110	90110-PWA2-900	BOLT SPECIAL 6*16	BOLT SPECIAL 6*16	2	
	90185	90185-PWB1-900	SOCKET BOLT 8x45	SOCKET BOLT 8x45	2	
	94101	94101-08600	WASH PLAIN 8MM	WASH PLAIN 8MM	2	
	95801	95801-08055-06	BOLT FLANGE 8*55	BOLT FLANGE 8*55	4	

F04

Master Cylinder



Sales mark	Ref no	Part no	Description	Reg description	Regd no	F04
35340		35340-LDB5-900	SW ASSY FR STOP	SW ASSY FR STOP	1	
43126		43126-AEC7-E00	HOSE RR BRAKE SECOND R	HOSE RR BRAKE SECOND R	1	
43127		43127-AEC7-E00	HOSE RR BEAKE (FOOT TO PGV)	HOSE RR BEAKE (FOOT TO PGV)	1	
43128		43128-AEC7-E00	HOSE RR BRAKE SECOND L	HOSE RR BRAKE SECOND L	1	
43450		43450-AEC7-E00	CABLE PARKING BRAKE	CABLE PARKING BRAKE	1	
43525		43525-PWA1-900	LEVER PARKING	LEVER PARKING	1	
43526		43526-PWA1-900	SPRING RETURN	SPRING RETURN	1	
43527		43527-PWA1-900	PIN	PIN	1	
43528		43528-PWA1-900	CLIP	CLIP	1	
43530		43530-LFA5-306	CYLINDER SET RR MASTER	CYLINDER SET RR MASTER	1	
43600		43600-LDB5-E00	PGV ASSY	PGV ASSY	1	
45124		45124-PWB1-E00	STAY PGV	STAY PGV	1	
45125		45125-LFA5-E00	HOSE BRAKE-JUNCTION/DIRM	HOSE BRAKE-JUNCTION/DIRM	1	
45126		45126-LFA5-E00	HOSE ASSY FR BRK/855MM	HOSE ASSY FR BRK/855MM	1	
45127		45127-LFA5-E00	HOSE BRAKE LH M/C-FOOT M/C	HOSE BRAKE LH M/C-FOOT M/C	1	
45128		45128-LFA5-E01	HOSE FR BRK	HOSE FR BRK	1	
45132		45132-LBA7-900	CLAMPER FR BRAKE HOSE	CLAMPER FR BRAKE HOSE	2	
45513		45513-KKC4-900	CAP M/C	CAP M/C	1	
45517		45517-KFAF-900	HOLDER M/C	HOLDER M/C	2	
45517A		45517-LDE9-E00	HOLDER	HOLDER	1	

Sales mark	Ref no	Part no	Description	Reg description	Regd no	F04
45520		45520-KKA8-900	DIAPHRAGM	DIAPHRAGM	1	
45520A		45520-KKC4-900	DIAPHRAGM	DIAPHRAGM	1	
45521		45521-LEA7-E00	PLATE DIAPHRAGM	PLATE DIAPHRAGM	1	
45525		45525-LBA7-900	STOPPER	STOPPER	1	
45526		45526-LBA7-900	SPRING	SPRING	1	
45527		45527-LBA7-900	PIN PARK	PIN PARK	1	
45530		45530-LDB5-305	CYLINDER SET FR	CYLINDER SET FR	1	
53175		53175-LFA5-305	LEVER SET BRK	LEVER SET BRK	1	
53190		53190-LDE9-E00	LEVER	LEVER	1	
53192		53192-LDE9-E00	BRACKET	BRACKET	1	
53193		53193-LDE9-E00	STOPPER	STOPPER	1	
53194		53194-LDE9-E00	PIVOT	PIVOT	1	
90113		90113-KKA8-900	BOLT L STEERING HANDLE	BOLT L STEERING HANDLE	1	
90114		90114-1F66-007	BOLT HANDLE LEVER	BOLT HANDLE LEVER	2	
90145		90145-LEA3-E00	OIL BOLT 10*22	OIL BOLT 10*22	9	
90545		90545-3L00-001	WASHER OIL BOLT	WASHER OIL BOLT	18	
93600		93600-04012-1G	SCREW FLAT 4*12	SCREW FLAT 4*12	4	
93600A		93600-LDE9-E00	SCREW FLAT M6	SCREW FLAT M6	2	
94050		94050-06060	NUT FLANGE 6MM	NUT FLANGE 6MM	2	
94050A		94050-08060	NUT FLANGE 8MM	NUT FLANGE 8MM	1	

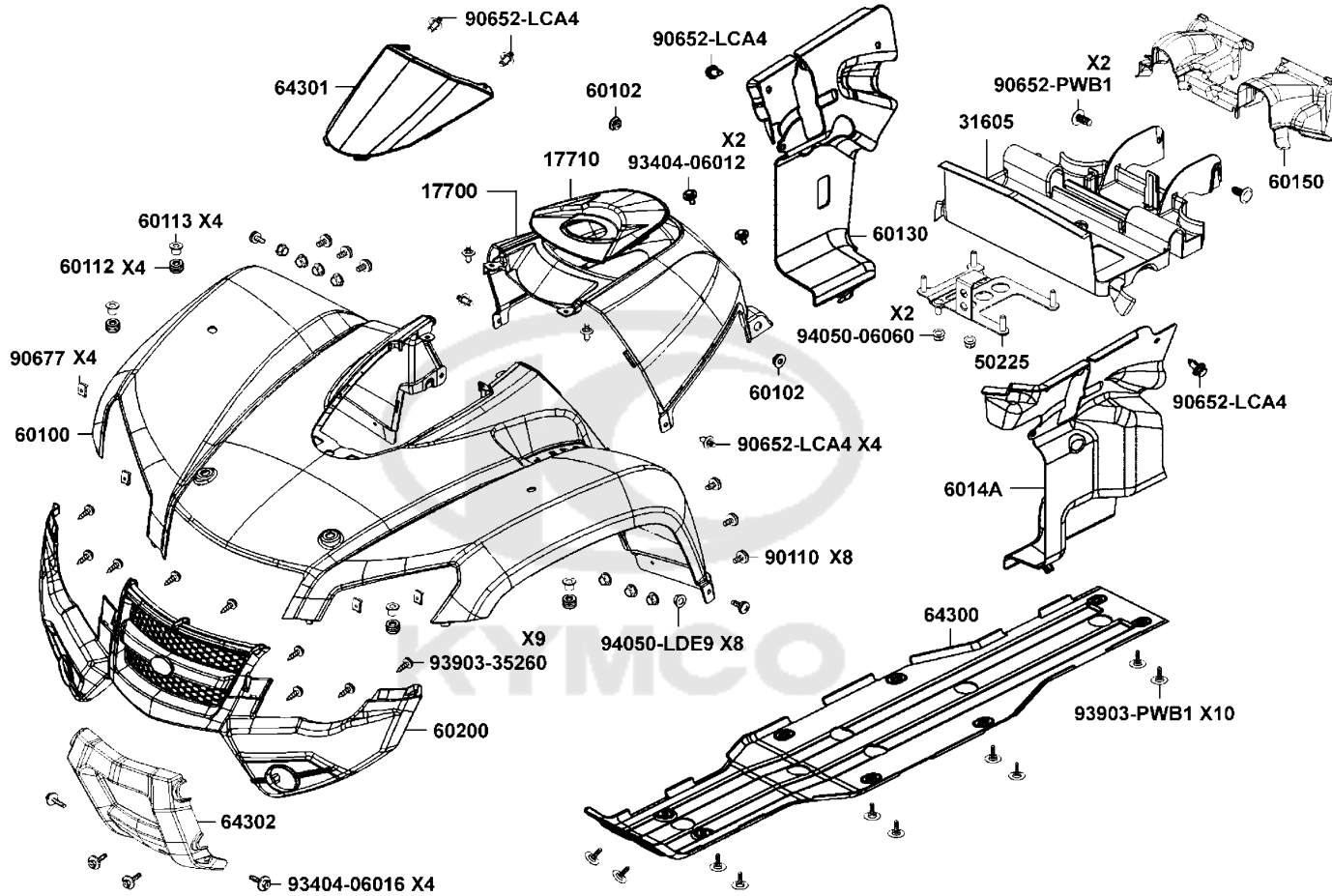
Sales mark	Ref no	Part no	Description	Reg description	Regd no	F04
------------	--------	---------	-------------	-----------------	---------	------------

95701		95701-06012-06	BOLT FLANGE 6X12	BOLT FLANGE 6X12	3	
95701A		95701-06040-06	BOLT FLANGE 6*40	BOLT FLANGE 6*40	2	
96001		96001-06022-06	BOLT FLANGE SH 6X22	BOLT FLANGE SH 6X22	4	



F05

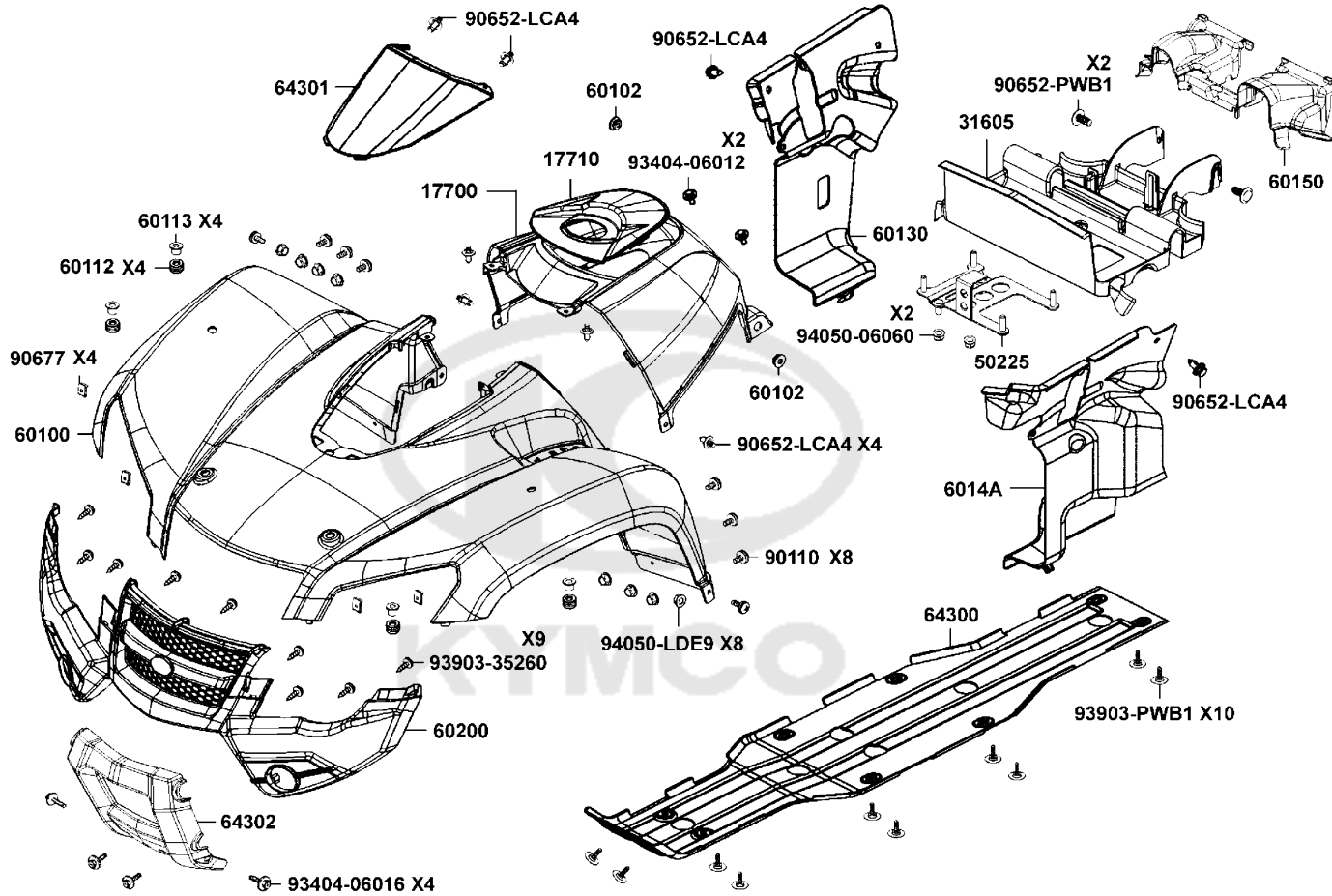
Fender Front



Sales mark	Ref no	Part no	Description	Reg description	Regd no	F05
**	17700	17700-LKK7-E00	COVER TANK	COVER TANK	1	
**	17710	17710-LKK7-E00	CAP TANK COVER	CAP TANK COVER	1	
	50225	50225-PRB2-900	STAY ECU	STAY ECU	1	
**	60100	60100-LFA5-E00	FENDER FRONT	FENDER FRONT	1	
	60102	60102-PWB1-900	GROMMET PANEL-SIDE	GROMMET PANEL-SIDE	2	
	60112	60112-PWB1-900	GROMMET	GROMMET	4	
	60113	60113-PWB1-900	SPACER STELL	SPACER STELL	4	
**	60130	60130-LGC7-E00	PANEL.SPLASH RIGHT	PANEL.SPLASH RIGHT	1	
**	6014A	6014A-LGC7-E00	PANELASSY SPLASH	PANELASSY SPLASH	1	
**	60150	60150-LFA5-E01	COVER WATERPROOF	COVER WATERPROOF	1	
**	60200	60200-LFA5-E00	MUDGUARD FRONT	MUDGUARD FRONT	1	
**	64301	64301-LFA5-E00	COVER FRONT	COVER FRONT	1	
**	64302	64302-LFA5-E01	BUMPER FRONT	BUMPER FRONT	1	
	90110	90110-PWB1-900	SCREW SPECIAL 6X20	SCREW SPECIAL 6X20	8	
	90652-LCA4	90652-LCA4-E00	CLIP MUDGUARD	CLIP MUDGUARD	6	
	90652-PWB1	90652-PWB1-900	X'MAS TREE CLIP	X'MAS TREE CLIP	2	
	90677	90677-GAR1-004	NUT CLIP 5MM	NUT CLIP 5MM	4	
	93404-06012	93404-06012-06	BOLT WASHER 6X12	BOLT WASHER 6X12	2	
	93404-06016	93404-06016-06	BOLT WASHER 6*16	BOLT WASHER 6*16	4	
	93903-35260	93903-35260	SCREW TAPPING 5*12	SCREW TAPPING 5*12	9	

F05

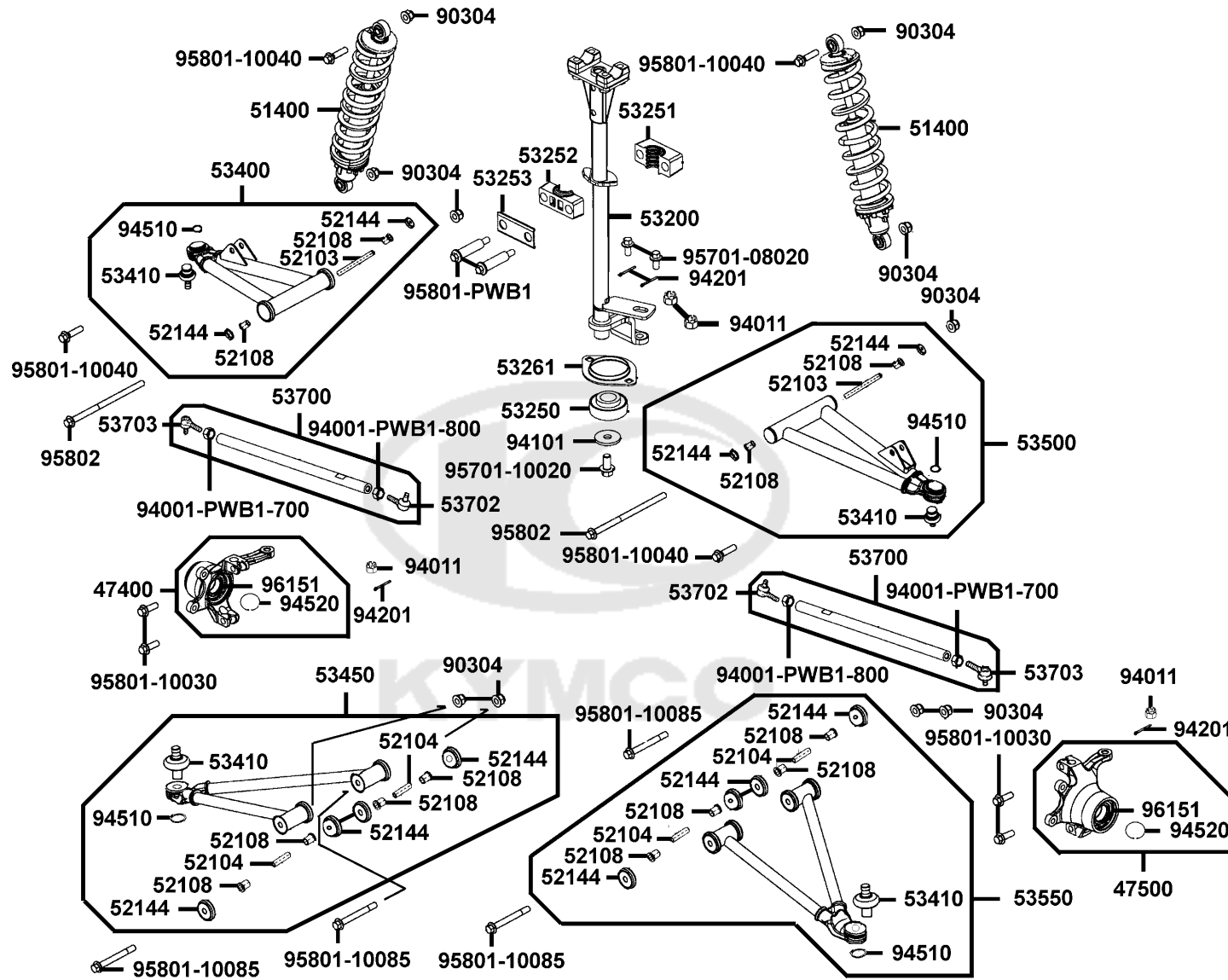
Fender Front



Sales mark	Ref no	Part no	Description	Reg description	Regd no	F05
------------	--------	---------	-------------	-----------------	---------	------------

93903-PWB1		93903-PWB1-900	SCREW BODY-SELF TAP #12x3/4 A	SCREW BODY-SELF TAP #12x3/4 A	10	
94050-06060		94050-06060	NUT FLANGE 6MM	NUT FLANGE 6MM	2	
94050-LDE9		94050-LDE9-E00	NUT LOCK	NUT LOCK	8	





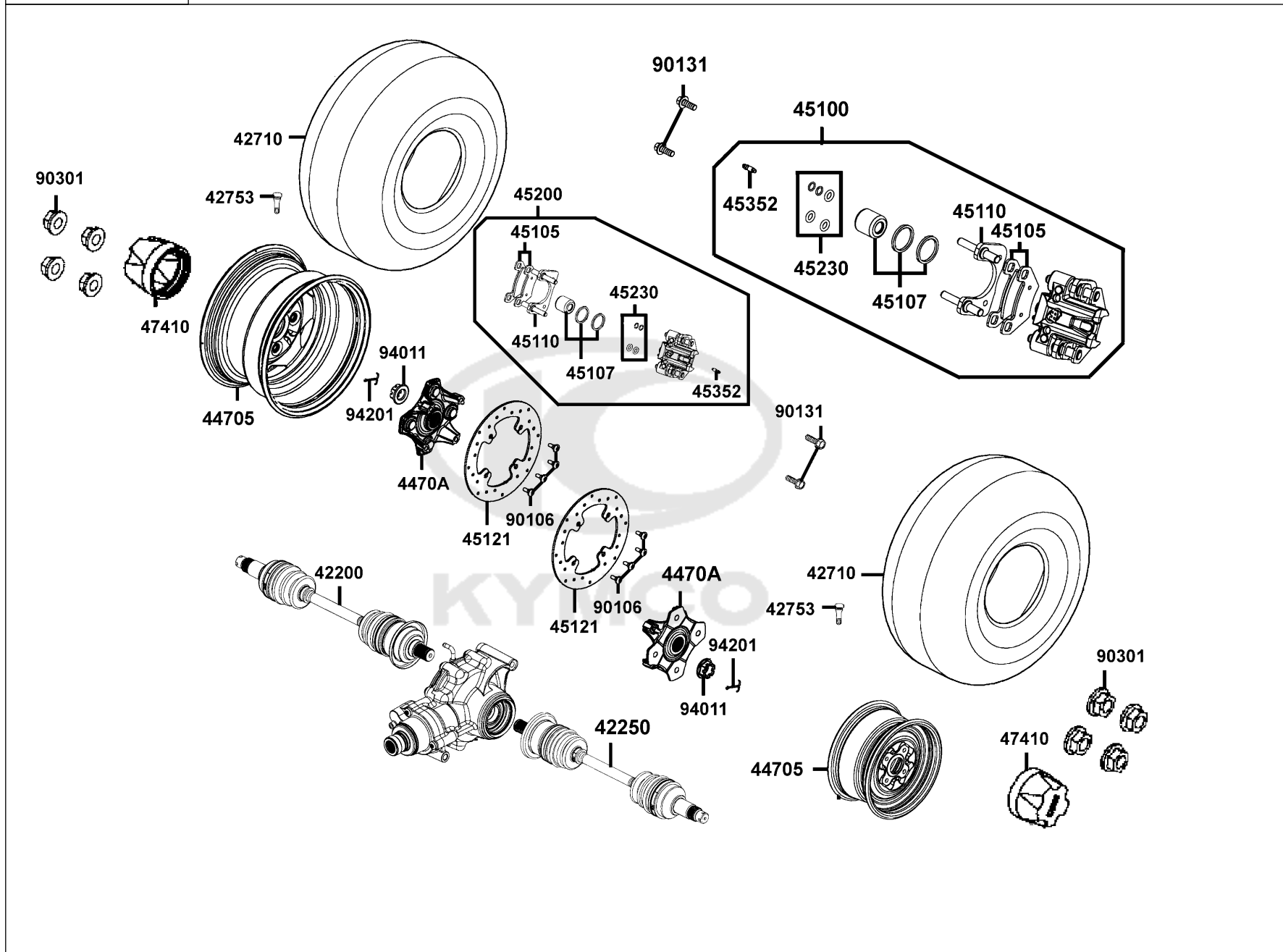
Sales mark	Ref no	Part no	Description	Reg description	Regd no	F06
	47400	47400-PWB1-900	KNUCKLE STEERING-RH ASSEMBLY	KNUCKLE STEERING-RH ASSEMBLY	1	
	47500	47500-PWB1-900	KNUCKLE STEERING-LH ASSEMBLY	KNUCKLE STEERING-LH ASSEMBLY	1	
**	51400	51400-PWB1-900	CUSHION ASSY FR	CUSHION ASSY FR	2	
	52103	52103-PWB1-900	SLEEVE SUSPENSION	SLEEVE SUSPENSION	2	
	52104	52104-PWB1-900	SLEEVE SUSPENSION	SLEEVE SUSPENSION	4	
	52108	52108-PWB1-900	BUSHING SUSPENSION	BUSHING SUSPENSION	12	
	52144	52144-PWB1-900	SEAL SUSPENSION	SEAL SUSPENSION	12	
	53200	53200-LFA5-E00	POST STEERING	POST STEERING	1	
	53250	53250-PWB1-900	BEARING STEERING-LOW SPEED	BEARING STEERING-LOW SPEED	1	
	53251	53251-PWB1-900	HOUSING LOWER	HOUSING LOWER	1	
	53252	53252-PWB1-900	HOUSING UPPER	HOUSING UPPER	1	
	53253	53253-PWB1-900	CAP HOUSING	CAP HOUSING	1	
	53261	53261-PWB1-900	FLANGE BEARING-TWO MTG HOLE	FLANGE BEARING-TWO MTG HOLE	1	
**	53400	53400-PRB1-900	A-ARM FRONT-UPPER-RH-ASSY	A-ARM FRONT-UPPER-RH-ASSY	1	
	53410	53410-PRB1-900	BALL JOINT ASSY	BALL JOINT ASSY	1	
**	53450	53450-PWB1-900	A-ARM FRONT LOWER RH/LH ASSY	A-ARM FRONT LOWER RH/LH ASSY	1	
**	53500	53500-PRB1-900	A-ARM FRONT-UPPER-LH-ASSY	A-ARM FRONT-UPPER-LH-ASSY	1	
**	53550	53550-PWB1-900	A-ARM FRONT LOWER RH/LH ASSY	A-ARM FRONT LOWER RH/LH ASSY	1	
	53700	53700-PWB1-900	TIE ROD -ASSY	TIE ROD -ASSY	2	
	53702	53702-PWB1-900	JOINT R BALL	JOINT R BALL	1	

Sales mark	Ref no	Part no	Description	Reg description	Regd no	F06
	53703	53703-PWB1-900	JOINT L BALL	JOINT L BALL	1	
	90304	90304-GLW0-90A	NUT U FLANGE 10MM	NUT U FLANGE 10MM	10	
	94001-PWB1-700	94001-PWB1-700	NUT HEX LH 10MM	NUT HEX LH 10MM	2	
	94001-PWB1-800	94001-PWB1-800	NUT HEX 10MM	NUT HEX 10MM	2	
	94011	94011-LKA8-E00	NUT CASTLE 10MM	NUT CASTLE 10MM	4	
	94101	94101-PWB1-900	WASHER FLAT	WASHER FLAT	1	
	94201	94201-25250	PIN SPLIT 2.5*25	PIN SPLIT 2.5*25	4	
	94510	94510-PWB1-900	CIRCLIP EX 29	CIRCLIP EX 29	4	
	94520	94520-55000	CIR CLIP IN 55	CIR CLIP IN 55	2	
	95701-08020	95701-08020-06	BOLT FLANGE 8*20MM **07 C.2005.07.01	BOLT FLANGE 8*20MM **07 C.2005.07.01	2	
	95701-10020	95701-10020-06	BOLT FLANGE 10*20	BOLT FLANGE 10*20	1	
	95801-10030	95801-10030-06	BOLT FLANGE 10X30	BOLT FLANGE 10X30	4	
	95801-10040	95801-10040-06	BOLT FLANGE 10X40	BOLT FLANGE 10X40	1	
	95801-10085	95801-10085-06	BOLT FLANGE 10*85	BOLT FLANGE 10*85	4	
	95801-PWB1	95801-PWB1-900	SCREW SHOULDER-HFH M8	SCREW SHOULDER-HFH M8	2	
	95802	95802-PWB1-900	SCREW CAP-HFH M10X1.25X180	SCREW CAP-HFH M10X1.25X180	2	
	96151	96151-PWB1-900	BEARING WHEEL	BEARING WHEEL	2	

Sales mark	Ref no	Part no	Description	Reg description	Regd no	F07
	42400	42400-LGC3-900	GEARCASE FRONT (3.1) ASSEMBLY	GEARCASE FRONT (3.1) ASSEMBLY	1	
	42753	42753-KNBN-90B	VALAE RIM (TR412)	VALAE RIM (TR412)	2	
	44200	44200-ZXA6-M02	HALFSHAFT. FRONT	HALFSHAFT. FRONT	2	
**	44705	44705-LKK7-E00	RIM COMP WHEEL	RIM COMP WHEEL	2	
	4470A	4470A-LFA5-E00	HUB ASSEMBLY	HUB ASSEMBLY	2	
	44710	44710-LFA5-E00	TIRE ASSY FR AT24*8-12 4P TL /KENDA	TIRE ASSY FR AT24*8-12 4P TL /KENDA	2	
	45100	45100-PWB1-600	CALIPER BRAKE RH	CALIPER BRAKE RH	1	
	45105	45105-PWB1-306	BRAKE PADS	BRAKE PADS	2	
	45107	45107-PWB1-305	PISTON AND SEALS (Ø31.75MM)	PISTON AND SEALS (Ø31.75MM)	2	
	45110	45110-PWB1-305	MOUNT BRACKET ASSEMBLS	MOUNT BRACKET ASSEMBLS	2	
	45121	45121-PWB1-900	DISK BRAKE	DISK BRAKE	2	
	45200	45200-PWB1-600	CALIPER BRAKE LH	CALIPER BRAKE LH	2	
	45230	45230-PWB1-305	GUIDE O RINGS	GUIDE O RINGS	2	
	45352	45352-PWB1-305	BLEEDER	BLEEDER	2	
	47410	47410-LDB5-E00	CAP WHEEL SHAFT	CAP WHEEL SHAFT	2	
	90106	90106-PWB1-900	BOLT SHOULDER	BOLT SHOULDER	8	
	90131	90131-PRB3-900	BOLT FLANGE 8X20	BOLT FLANGE 8X20	4	
	90301	90301-PWB1-900	NUT LUG-M10 (60 DEG)	NUT LUG-M10 (60 DEG)	16	
	94011	94011-PWB1-900	NUT CASTLE FLANGE M22x1.5	NUT CASTLE FLANGE M22x1.5	2	
	94201	94201-30400	PIN SPLIT 3*40	PIN SPLIT 3*40	2	

F08

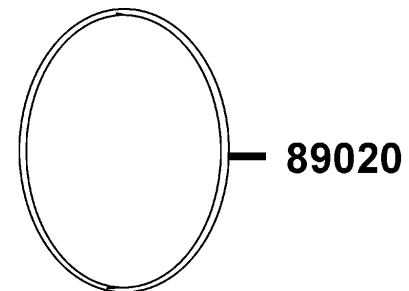
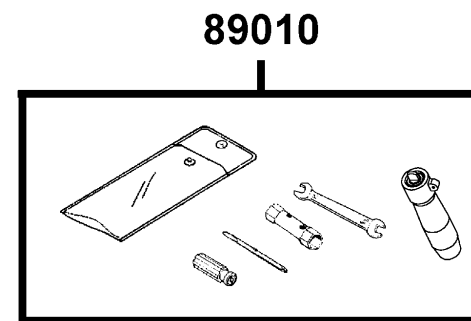
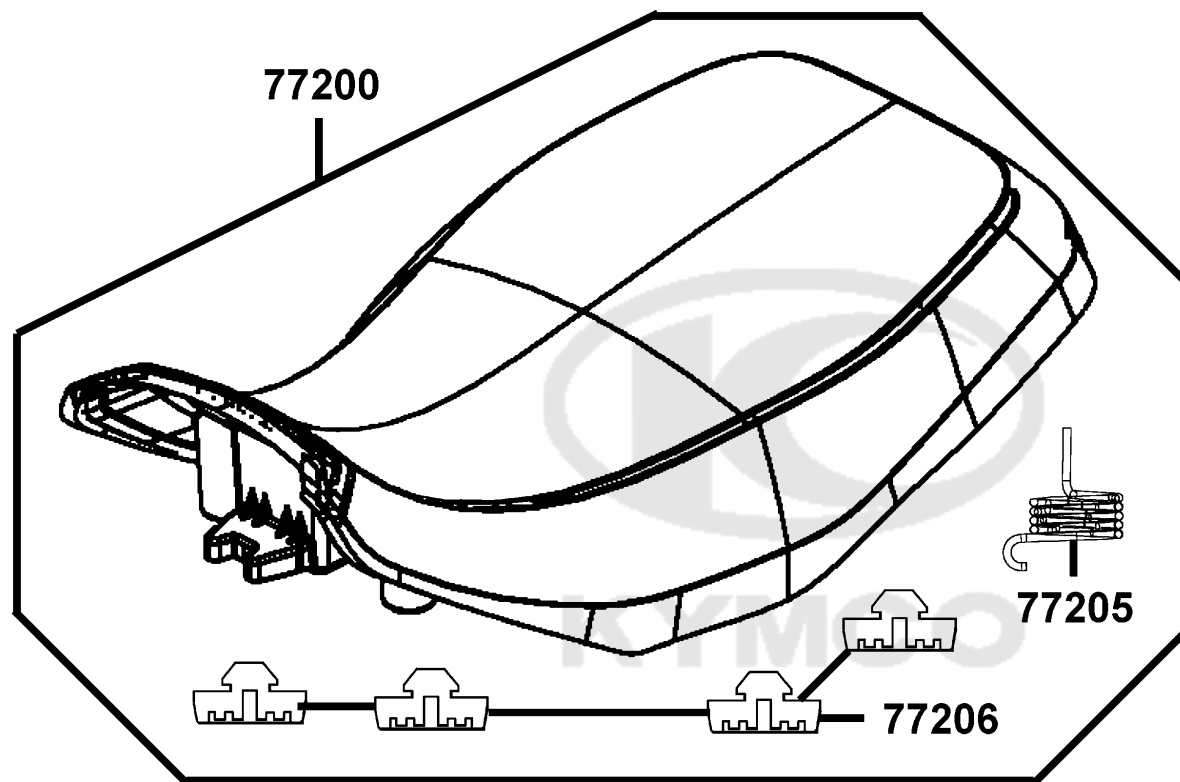
Rear Wheel



Sales mark	Ref no	Part no	Description	Reg description	Regd no	F08
	42200	42200-AEC7-E00	HALF SHAFT REAR-RH	HALF SHAFT REAR-RH	1	
	42250	42250-AEC7-E00	HALF SHAFT REAR-LH	HALF SHAFT REAR-LH	1	
	42710	42710-LFA5-E00	TIRE ASSY RR AT24*10-12 4P TL /KENDA	TIRE ASSY RR AT24*10-12 4P TL /KENDA	2	
	42753	42753-KNBN-90B	VALAE RIM (TR412)	VALAE RIM (TR412)	2	
**	44705	44705-LKK7-E00	RIM COMP WHEEL	RIM COMP WHEEL	2	
	4470A	4470A-LFA5-E00	HUB ASSEMBLY	HUB ASSEMBLY	2	
	45100	45100-PWB1-600	CALIPER BRAKE RH	CALIPER BRAKE RH	1	
	45105	45105-PWB1-306	BRAKE PADS	BRAKE PADS	2	
	45107	45107-PWB1-305	PISTON AND SEALS (Ø31.75MM)	PISTON AND SEALS (Ø31.75MM)	2	
	45110	45110-PWB1-305	MOUNT BRACKET ASSEMBLS	MOUNT BRACKET ASSEMBLS	2	
	45121	45121-PWB1-900	DISK BRAKE	DISK BRAKE	2	
	45200	45200-PWB1-600	CALIPER BRAKE LH	CALIPER BRAKE LH	2	
	45230	45230-PWB1-305	GUIDE O RINGS	GUIDE O RINGS	2	
	45352	45352-PWB1-305	BLEEDER	BLEEDER	2	
	47410	47410-LDB5-E00	CAP WHEEL SHAFT	CAP WHEEL SHAFT	2	
	90106	90106-PWB1-900	BOLT SHOULDER	BOLT SHOULDER	8	
	90131	90131-PRB3-900	BOLT FLANGE 8X20	BOLT FLANGE 8X20	4	
	90301	90301-PWB1-900	NUT LUG-M10 (60 DEG)	NUT LUG-M10 (60 DEG)	8	
	94011	94011-PWB1-900	NUT CASTLE FLANGE M22x1.5	NUT CASTLE FLANGE M22x1.5	2	
	94201	94201-30400	PIN SPLIT 3*40	PIN SPLIT 3*40	2	

F09

Seat



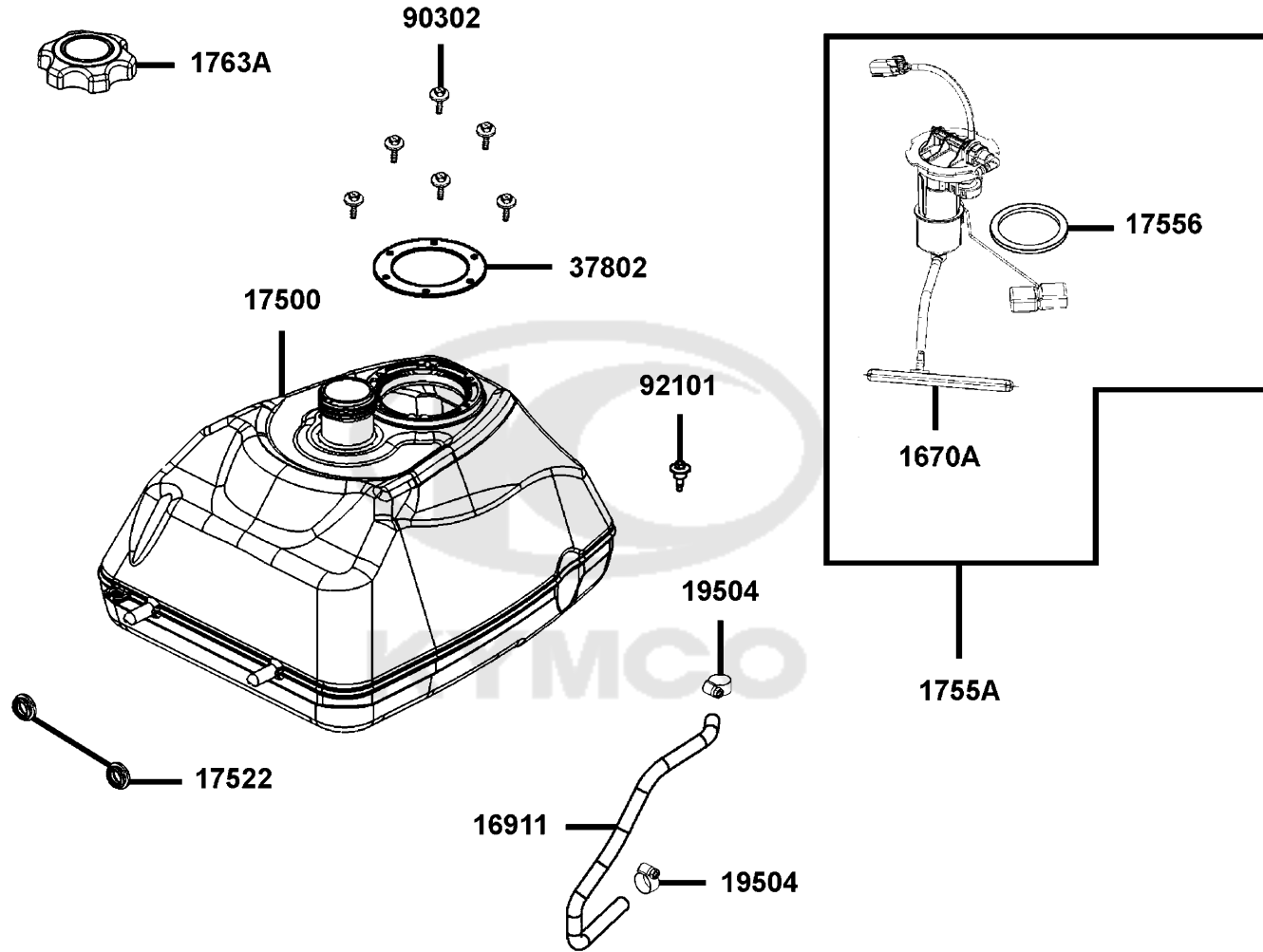
Sales mark	Ref no	Part no	Description	Reg description	Regd no	F09
------------	--------	---------	-------------	-----------------	---------	------------

**	77200	77200-LFA5-E00	SEAT ASSY (REACH)	SEAT ASSY (REACH)	1	
	77205	77205-PWB1-900	SPRING LATCH	SPRING LATCH	1	
	77206	77206-LBA7-900	RUBBER SEAT CUSH	RUBBER SEAT CUSH	4	
	89010	89010-PWB1-900	TOOL SET	TOOL SET	1	
	89020	89020-KKC4-900	BAND TOOL SET	BAND TOOL SET	1	

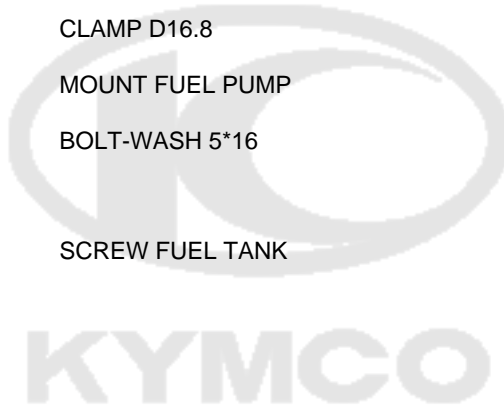


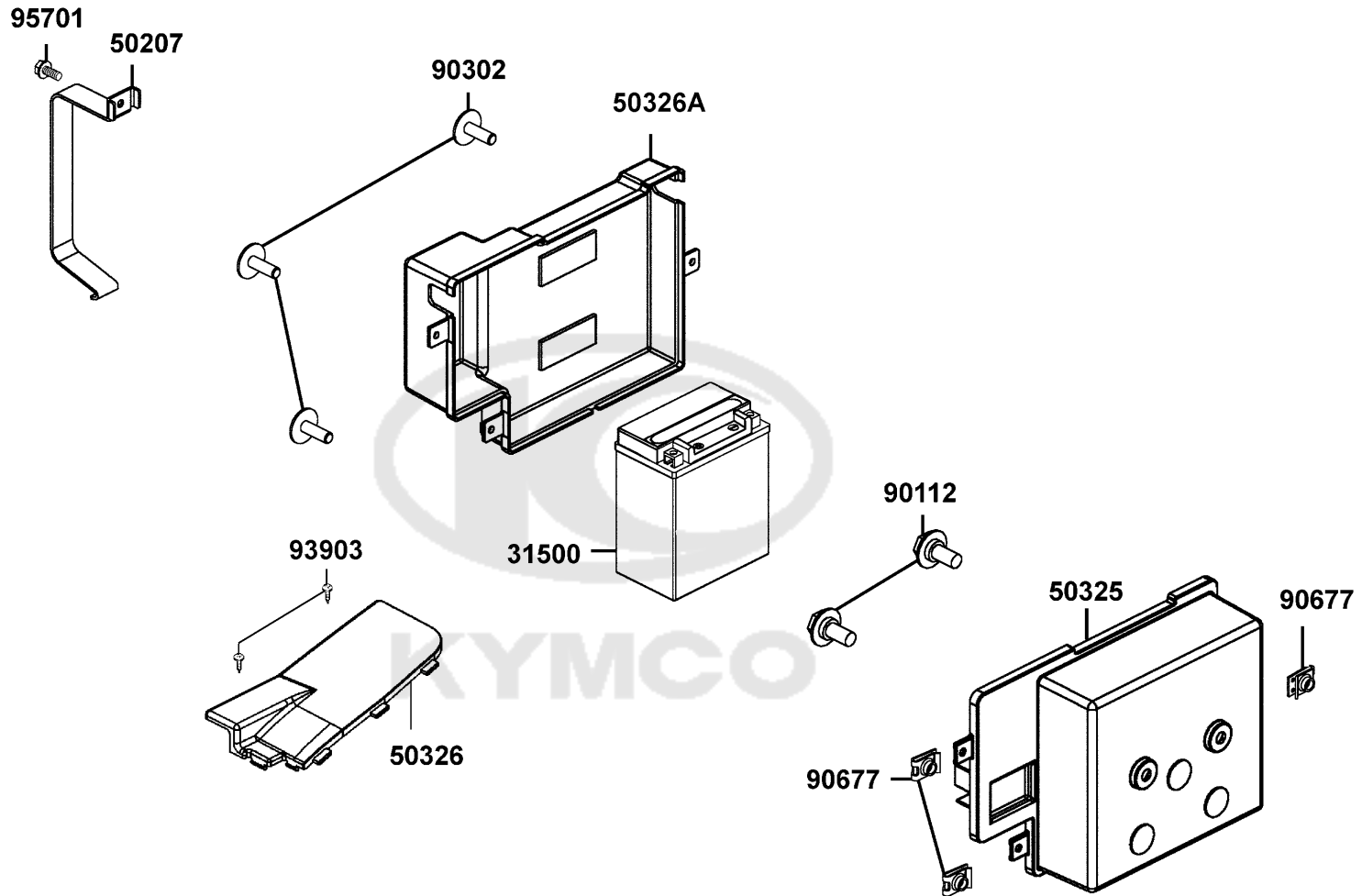
F10

Fuel Tank



Sales mark	Ref no	Part no	Description	Reg description	Regd no	F10
1670A		1670A-ZXA6-M01	FILTER ASS'Y FUEL	FILTER ASS'Y FUEL	1	
16911		16911-LGC7-E00	TUBE FUEL INJECTOR	TUBE FUEL INJECTOR	1	
17500		17500-ZXA6-M02	TANK COMP FUEL	TANK COMP FUEL	1	
17522		17522-PWB1-900	GROMMET FUEL TANK	GROMMET FUEL TANK	2	
17556		17556-ZXA6-M01	PACKING PUMP	PACKING PUMP	1	
1755A		1755A-AEB8-M0B	FUEL PUMP ASSEMBLY	FUEL PUMP ASSEMBLY	1	
1763A		1763A-AGA8-E00	CAP ASSY FUEL TANK	CAP ASSY FUEL TANK	1	
19504		19504-LBA2-E00	CLAMP D16.8	CLAMP D16.8	2	
37802		37802-LGC3-E00	MOUNT FUEL PUMP	MOUNT FUEL PUMP	1	
90302		90302-GFY6-940	BOLT-WASH 5*16	BOLT-WASH 5*16	6	
92101		92101-PWB1-900	SCREW FUEL TANK	SCREW FUEL TANK	1	



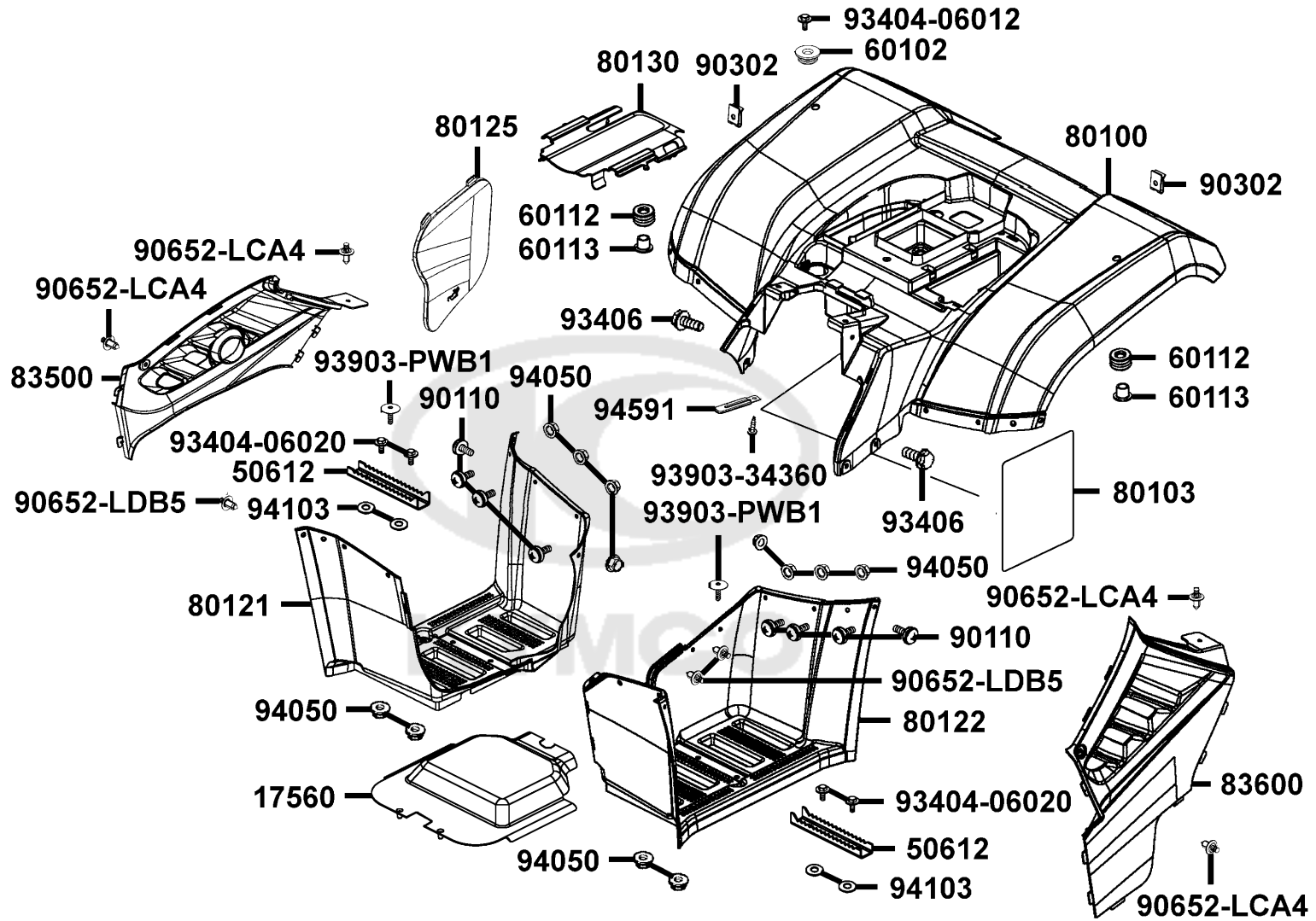



Sales mark	Ref no	Part no	Description	Reg description	Regd no	F11
	31500	31500-LDB5-E0A	BATTERY YTX20L-BS	BATTERY YTX20L-BS	1	
	50207	50207-LGC7-E00	STAY BATTERY	STAY BATTERY	1	
**	50325	50325-LGC7-E00	CASE.BATTERY	CASE.BATTERY	1	
**	50326	50326-LFA5-E00	COVER BATTERY	COVER BATTERY	1	
**	50326A	50326-LGC7-E00	COVER BATTERY	COVER BATTERY	1	
	90112	90112-KNBN-901	BOLT FLANGE 6MM	BOLT FLANGE 6MM	2	
	90302	90302-PWA1-900	BOLT-WASH 5*16	BOLT-WASH 5*16	4	
	90677	90677-GAR1-004	NUT CLIP 5MM	NUT CLIP 5MM	4	
	93903	93903-GFY6-900	SCREW TAPPING 4*14	SCREW TAPPING 4*14	2	
	95701	95701-06012-06	BOLT FLANGE 6X12	BOLT FLANGE 6X12	1	

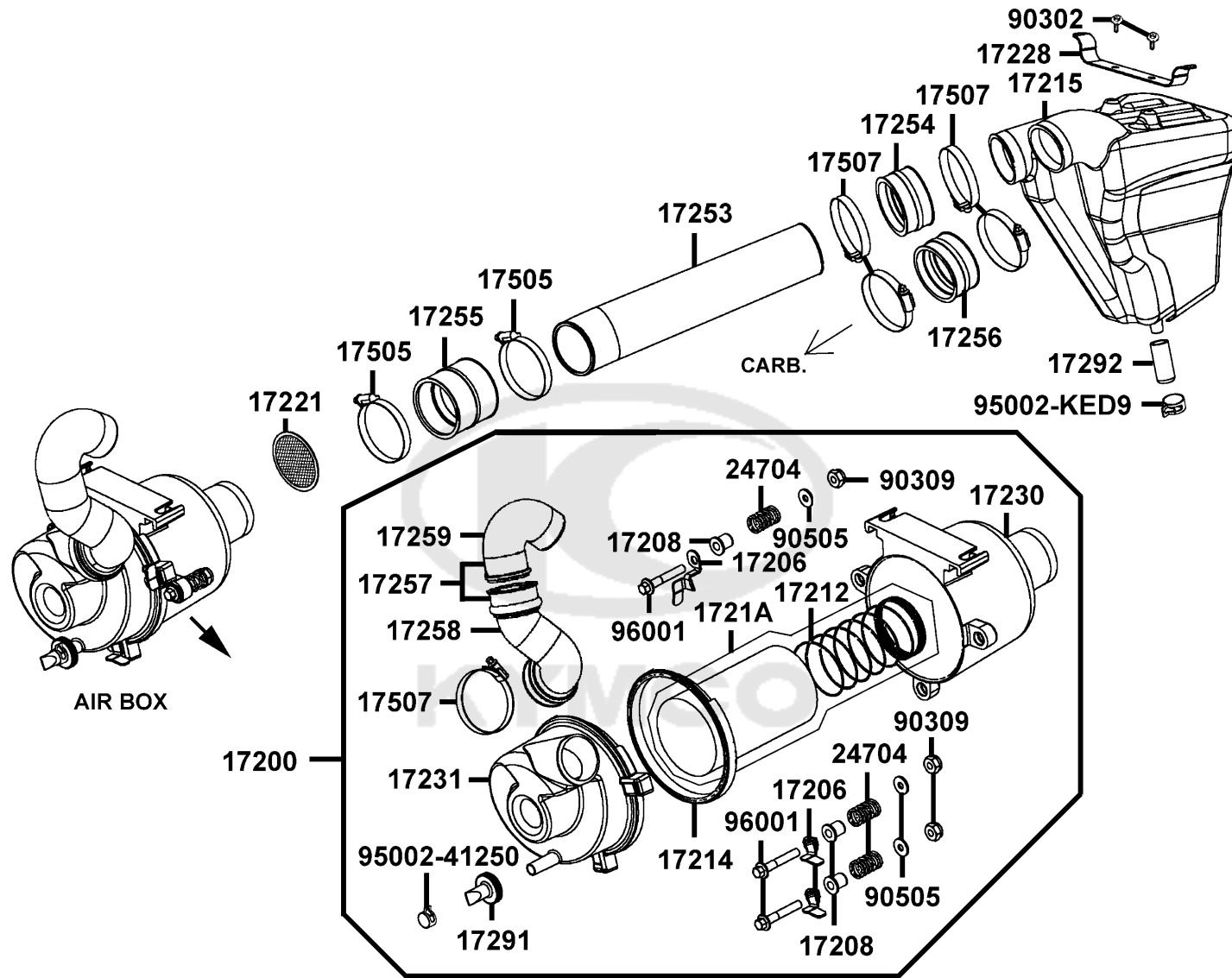


Sales mark	Ref no	Part no	Description	Reg description	Regd no	F12
**	17560	17560-LGC7-E00	SHIELD HEAT	SHIELD HEAT	1	
	50612	50612-PWB1-900	FOOTPEG	FOOTPEG	1	
	60102	60102-PWB1-900	GROMMET PANEL-SIDE	GROMMET PANEL-SIDE	2	
	60112	60112-PWB1-900	GROMMET	GROMMET	1	
	60113	60113-PWB1-900	SPACER STELL	SPACER STELL	1	
**	80100	80100-LKK7-E00	FENDER REAR	FENDER REAR	1	
	80103	80103-LFA5-E00	SHIELD LH	SHIELD LH	1	
**	80121	80121-LFA5-E01	MUDGUARD R FLOOR	MUDGUARD R FLOOR	1	
**	80122	80122-LGC3-E00	MUDGUARD L FLOOR	MUDGUARD L FLOOR	1	
**	80125	80125-LGC3-E00	COVER OIL LEVEL GAUGE	COVER OIL LEVEL GAUGE	1	
**	80130	80130-PWB1-E00	SHIELD REAR GEARCASE	SHIELD REAR GEARCASE	1	
**	83500	83500-LKK7-E76	COVER R SIDE	COVER R SIDE	1	
**	83600	83600-LGC3-E00	COVER L SIDE	COVER L SIDE	1	
	90110	90110-PWB1-900	SCREW SPECIAL 6X20	SCREW SPECIAL 6X20	4	
	90302	90302-SDA4-004	NUT SPRING 4MM	NUT SPRING 4MM	2	
	90652-LCA4	90652-LCA4-E00	CLIP MUDGUARD	CLIP MUDGUARD	4	
	90652-LDB5	90652-LDB5-900	CLIP MUDGUARD	CLIP MUDGUARD	3	
	93404-06012	93404-06012-06	BOLT WASHER 6X12	BOLT WASHER 6X12	1	
	93404-06020	93404-06020-06	BOLT WASHER 6X20	BOLT WASHER 6X20	4	
	93406	93406-08016-06	BOLT WASHER 8X16	BOLT WASHER 8X16	2	

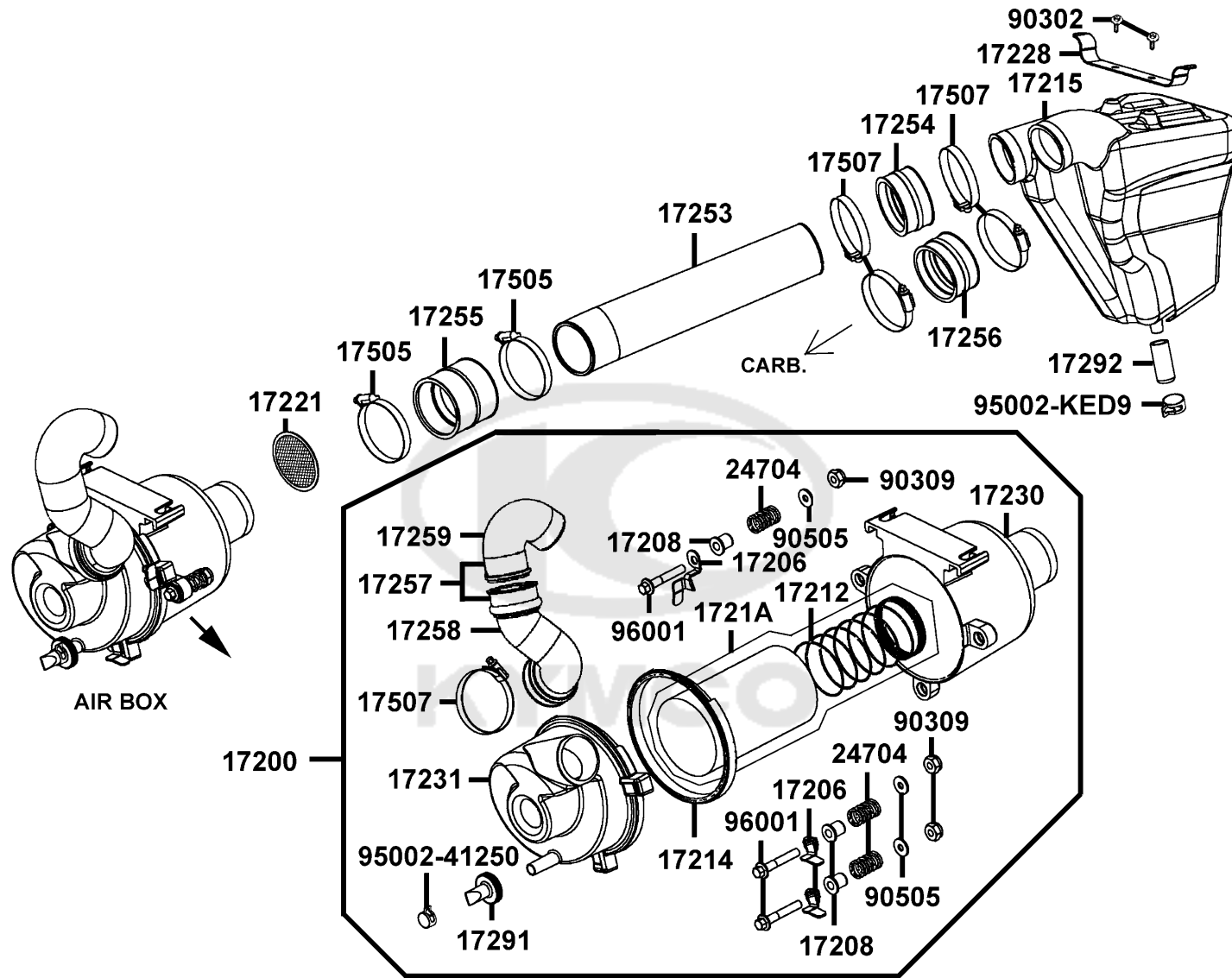
Fender Rear Mudguard Floor



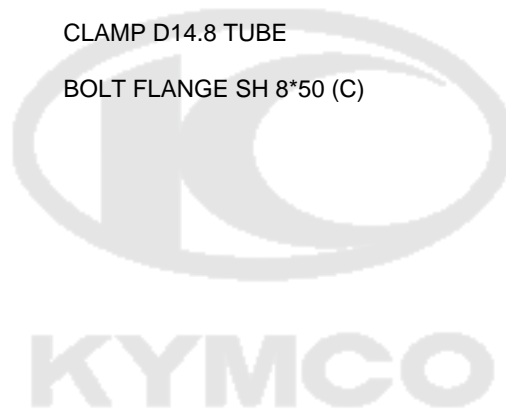
Sales mark	Ref no	Part no	Description	Reg description	Regd no	F12
	93903-34360	93903-34360	SCREW TAPPING 4X12	SCREW TAPPING 4X12	1	
	93903-PWB1	93903-PWB1-900	SCREW BODY-SELF TAP #12x3/4 A	SCREW BODY-SELF TAP #12x3/4 A	2	
	94050	94050-LDE9-E00	NUT LOCK	NUT LOCK	12	
	94103	94103-06800	WASH PLAIN 6MM	WASH PLAIN 6MM	4	
	94591	94591-27000	CLIP 2*70	CLIP 2*70	1	
						



Sales mark	Ref no	Part no	Description	Reg description	Regd no	F13
17200		17200-AEC7-E00	AIR BOX ASSEMBLY	AIR BOX ASSEMBLY	1	
17206		17206-PWB1-900	CATCH AIR BOX	CATCH AIR BOX	3	
17208		17208-PWB1-900	SPACER STEEL	SPACER STEEL	3	
17212		17212-PWB1-900	FILTER SPRING	FILTER SPRING	1	
17214		17214-PWB1-900	GASKET AIR BOX	GASKET AIR BOX	1	
17215		17215-PWB1-900	CHAMBER AIR INTAKE	CHAMBER AIR INTAKE	1	
1721A		1721A-PWB1-900	FILTER AIR-UNI	FILTER AIR-UNI	1	
17221		17221-PWB1-900	TRAP	TRAP	1	
17228		17228-PWB1-900	BRACKET MOUNT-AIR CHAMBER	BRACKET MOUNT-AIR CHAMBER	1	
17230		17230-PWB1-900	BODY AIR BOX-CYCLONIC	BODY AIR BOX-CYCLONIC	1	
17231		17231-AEC7-E00	COVER AIR BOX-CYCLONIC	COVER AIR BOX-CYCLONIC	1	
17253		17253-PWB1-900	BOOT INTAKE-CARB	BOOT INTAKE-CARB	1	
17254		17254-PWB1-900	BOOT AIR IN-CARB-LRG	BOOT AIR IN-CARB-LRG	1	
17255		17255-PWB1-900	BOOT AIR IN CARB SML	BOOT AIR IN CARB SML	1	
17256		17256-LGC3-E01	BOOT THROTTLE BODY-CHAMBER	BOOT THROTTLE BODY-CHAMBER	1	
17257		17257-PWB1-900	BOOT INTAKE AIR BOX	BOOT INTAKE AIR BOX	1	
17258		17258-PWB1-900	BOOT INTAKE TOP - AIR BOX	BOOT INTAKE TOP - AIR BOX	1	
17259		17259-PWB1-900	BOOT INTAKE BOTTOM - AIR BOX	BOOT INTAKE BOTTOM - AIR BOX	1	
17291		17291-PWB1-900	VALVE AIR CLEANER	VALVE AIR CLEANER	1	
17292		17292-PWB1-900	PIPE DRAIN	PIPE DRAIN	1	

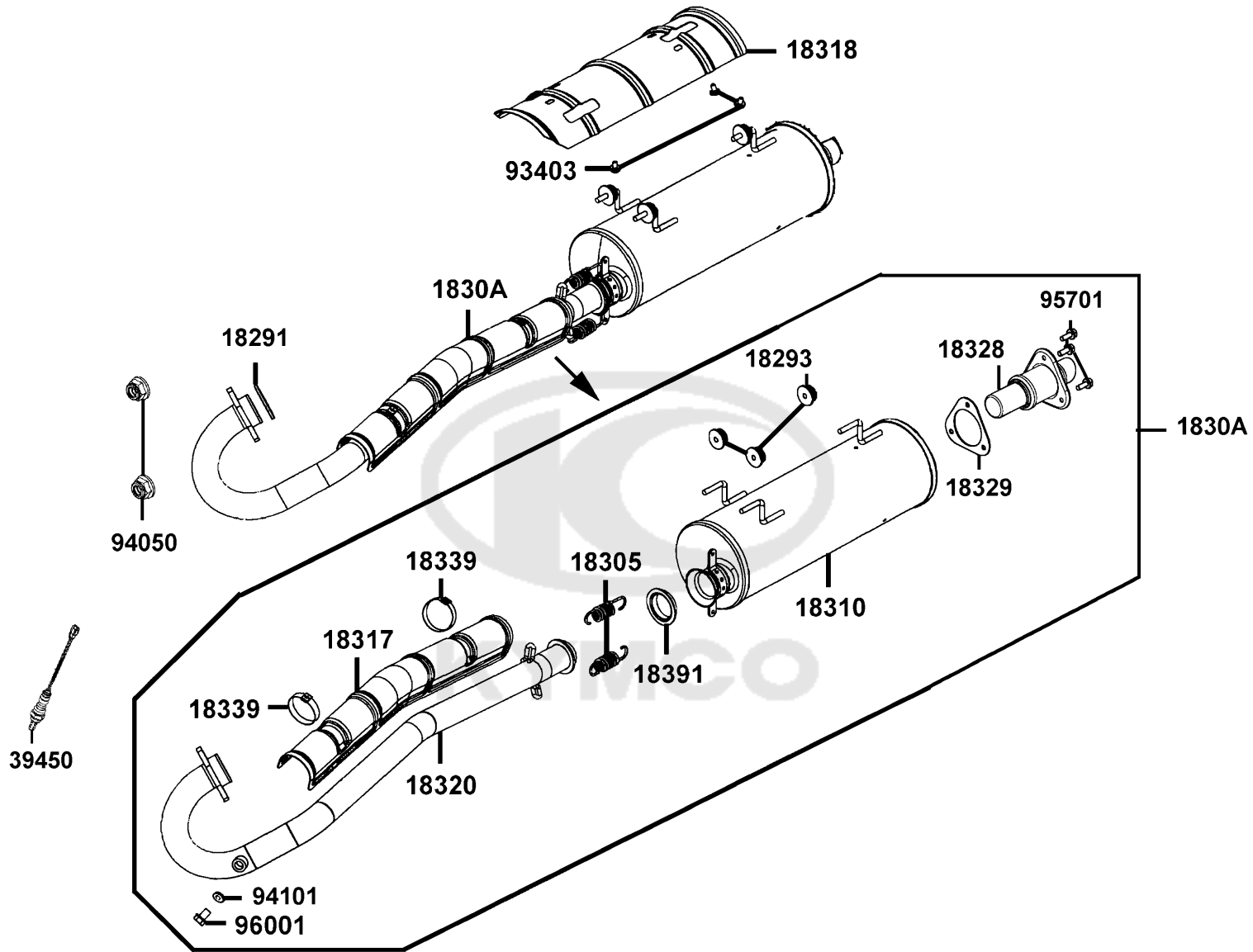


Sales mark	Ref no	Part no	Description	Reg description	Regd no	F13
17505		17505-PWB1-900	CLAMP D70	CLAMP D70	2	
17507		17507-PWB1-900	CLAMP D66	CLAMP D66	5	
24704		24704-PWB1-900	SPRING SHIFT	SPRING SHIFT	3	
90302		90302-LLB1-E00	BOLT-WASHER 5*12	BOLT-WASHER 5*12	2	
90309		90309-GLW0-90A	NUT U FLANGE 8MM	NUT U FLANGE 8MM	3	
90505		90505-4E25-001	WASHER 8MM	WASHER 8MM	3	
95002-41250		95002-41250-00	CLIP D12.5 TUBE	CLIP D12.5 TUBE	1	
95002-KED9		95002-KED9-M30	CLAMP D14.8 TUBE	CLAMP D14.8 TUBE	1	
96001		96001-08050-08	BOLT FLANGE SH 8*50 (C)	BOLT FLANGE SH 8*50 (C)	3	

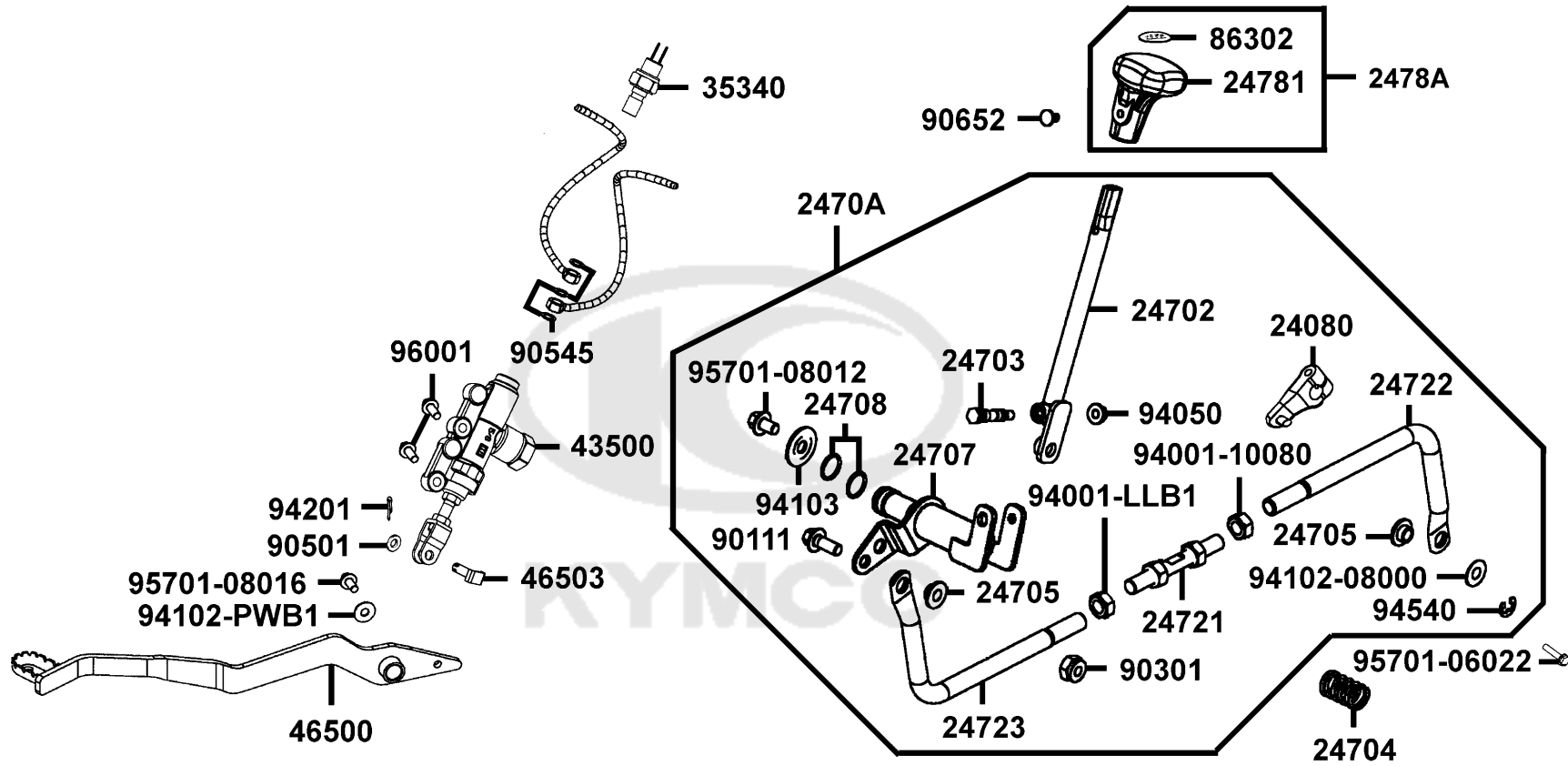


F14

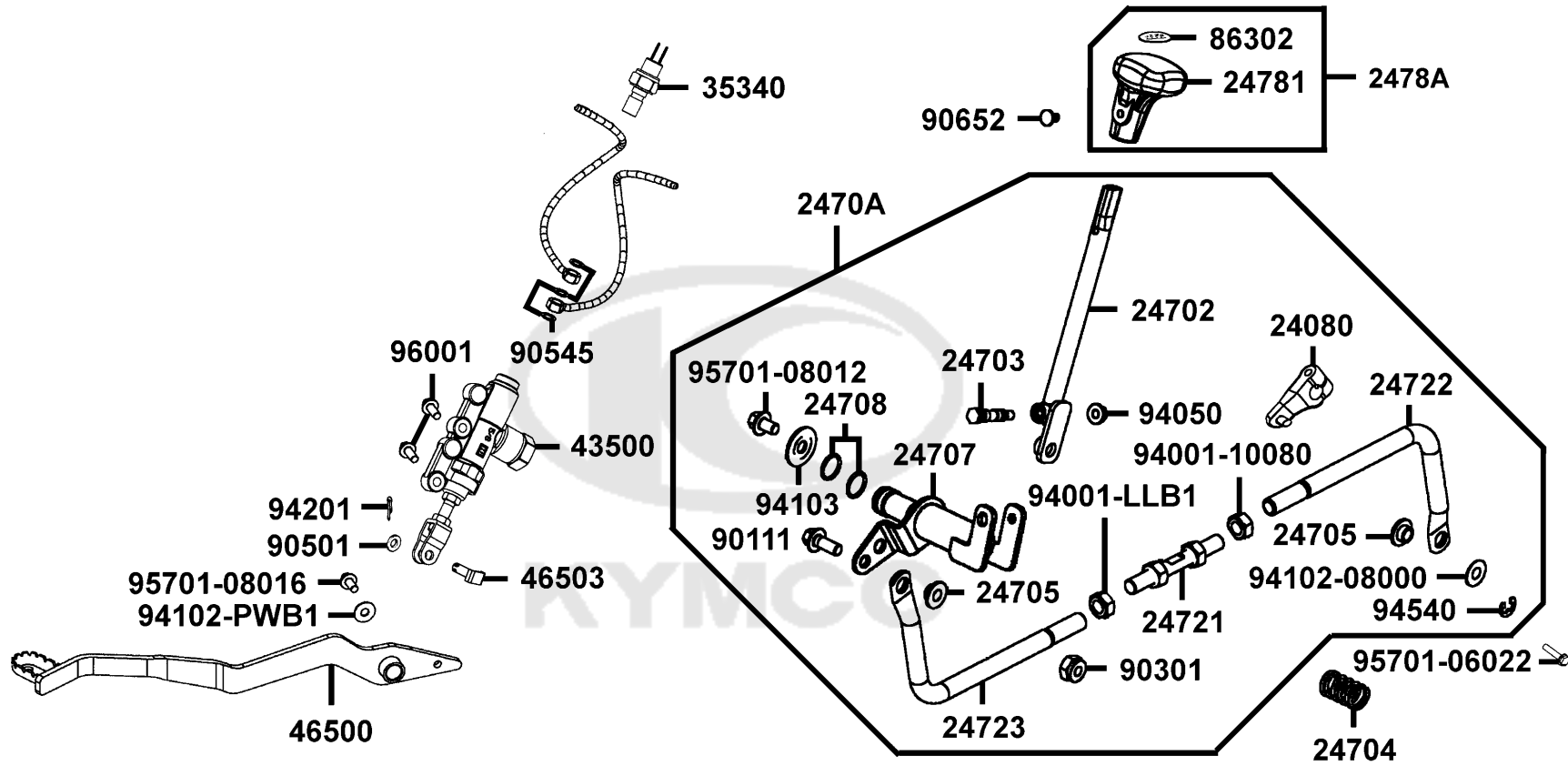
Exhaust Muffler



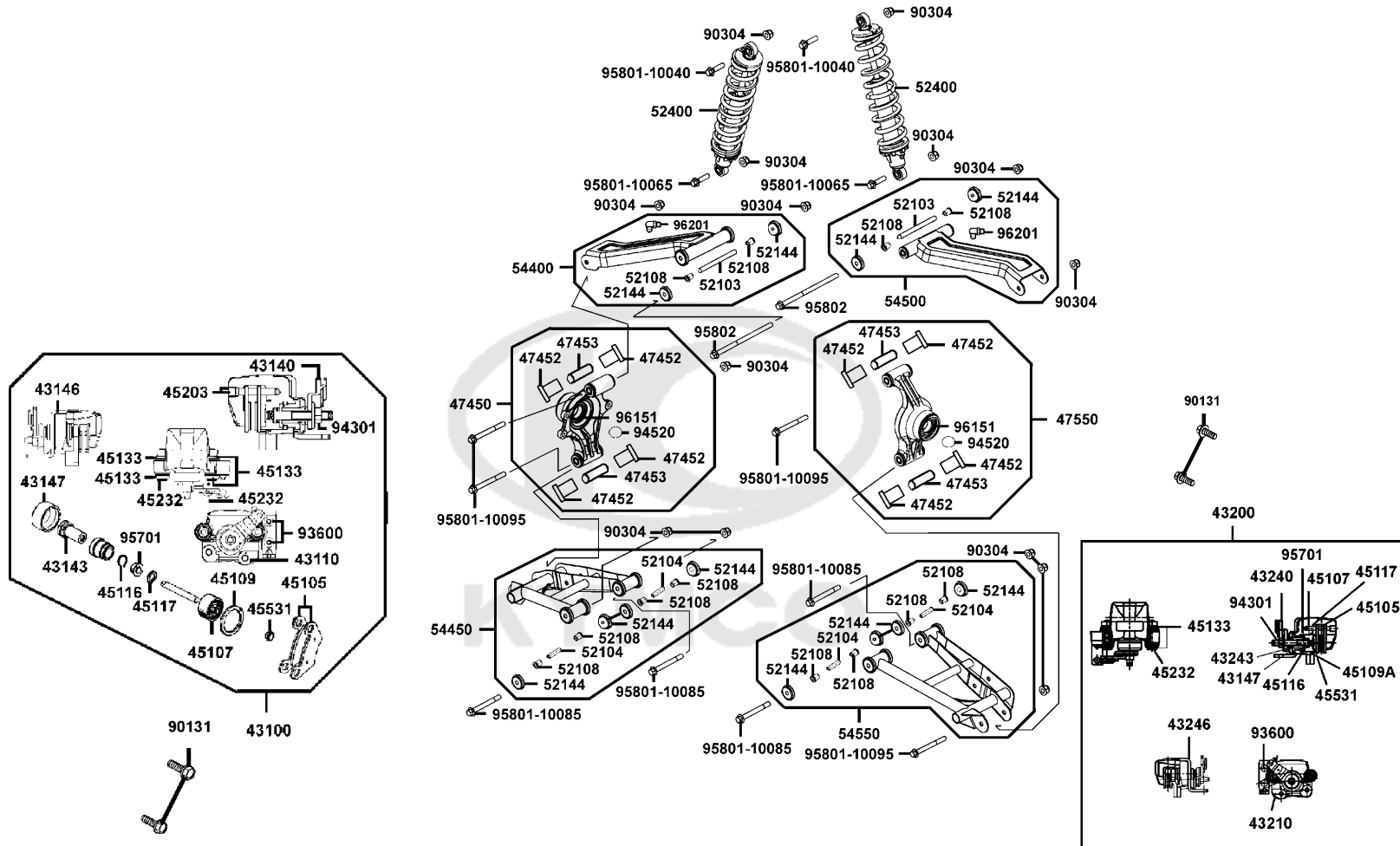
Sales mark	Ref no	Part no	Description	Reg description	Regd no	F14
	18291	18291-PTA1-900	SEAL EXHAUST PIPE	SEAL EXHAUST PIPE	1	
	18293	18293-PWB1-900	GROMMENT MUFFLER	GROMMENT MUFFLER	3	
	18305	18305-PWB1-900	SPRING EXTENSION	SPRING EXTENSION	2	
	1830A	1830A-BAD9-E00	MUFFLER ASS'Y	MUFFLER ASS'Y	1	
	18310	18310-BAD9-E00	MUFFLER COMP	MUFFLER COMP	1	
	18317	18317-PRB2-300	SHIELD EXHAUST PIPE	SHIELD EXHAUST PIPE	1	
	18318	18318-PWB1-900	COVER MUFFLER	COVER MUFFLER	1	
	18320	18320-PRB2-300	PIPE COMP EXHAUST	PIPE COMP EXHAUST	1	
	18328	18328-AED1-E00	SPARK ARRESTER WELDMENT	SPARK ARRESTER WELDMENT	1	
	18329	18329-PWB1-700	GASKET.SPARK ARRESTER	GASKET.SPARK ARRESTER	1	
	18339	18339-PWB1-900	BAND EXHAUST PIPE SHIELD	BAND EXHAUST PIPE SHIELD	2	
	18391	18391-PTA1-900	GASKET EXH TAILPIPE	GASKET EXH TAILPIPE	1	
	39450	39450-ZVA6-M00	O2 SENSOR	O2 SENSOR	1	
	93403	93403-PWB1-900	BOLT-WASHER 6X12	BOLT-WASHER 6X12	3	
	94050	94050-08080	NUT FLANGE 8MM	NUT FLANGE 8MM	2	
	94101	94101-06700	WASHER PLAIN 6MM	WASHER PLAIN 6MM	1	
	95701	95701-LGD8-900	BOLT TORQUE 6*12	BOLT TORQUE 6*12	3	
	96001	96001-06008-07	BOLT FLANGE SH 6*8	BOLT FLANGE SH 6*8	1	



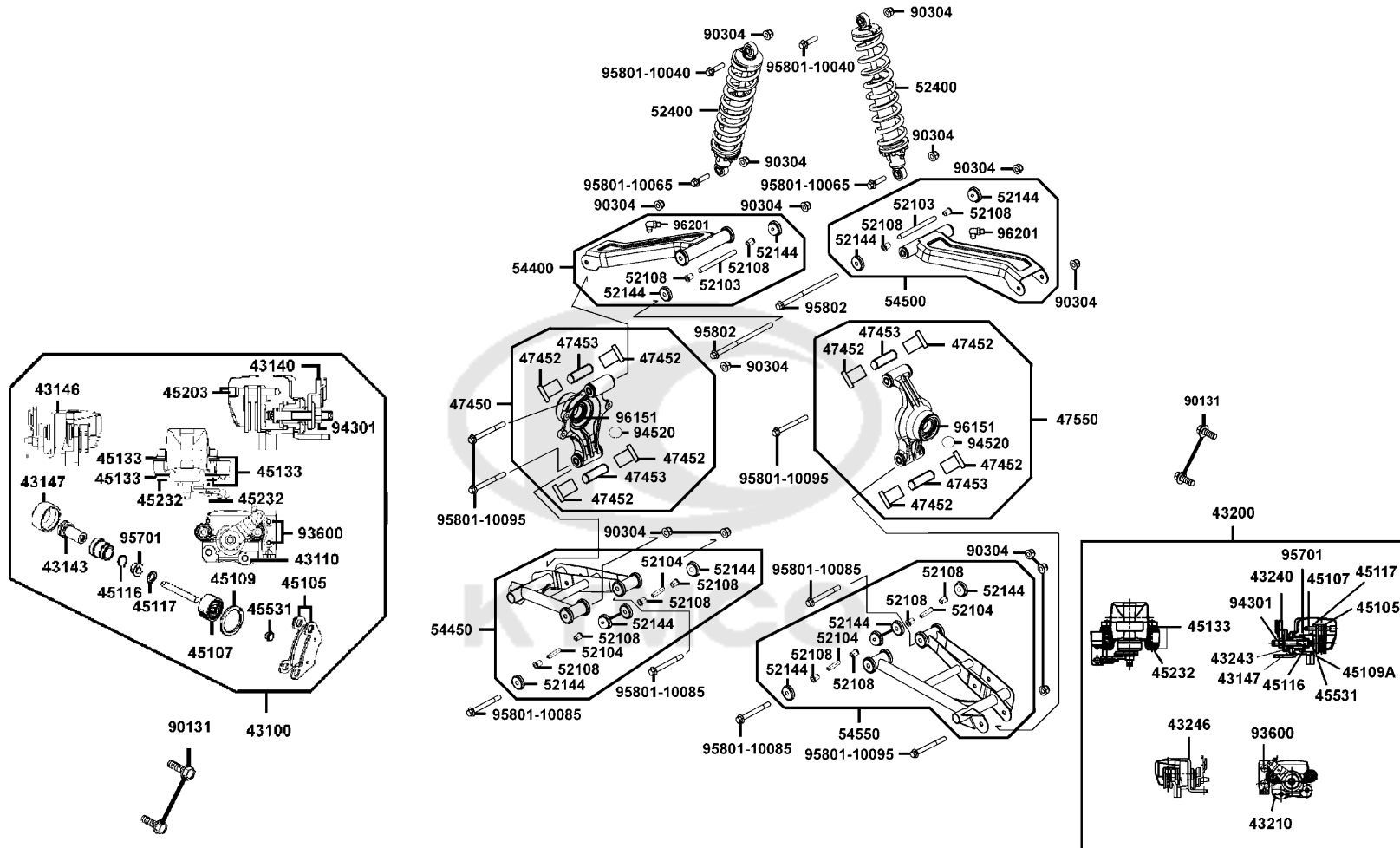
Sales mark	Ref no	Part no	Description	Reg description	Regd no	F15
	24080	24080-PWB1-900	ARM GEAR SELECT ASSY	ARM GEAR SELECT ASSY	1	
	24702	24702-LFA5-E00	LEVER SHIFT WELDMENT	LEVER SHIFT WELDMENT	1	
	24703	24703-PWB1-900	AXLE PIVOT	AXLE PIVOT	1	
	24704	24704-PWB1-900	SPRING SHIFT	SPRING SHIFT	1	
	24705	24705-PWB1-900	BUSHING SHIFT	BUSHING SHIFT	2	
	24707	24707-LFA5-E00	AXLE WELDMENT	AXLE WELDMENT	1	
	24708	24708-PWB1-900	O RING 016	O RING 016	2	
	2470A	2470A-LFA5-E00	FWD / REV SHIFT ASSY	FWD / REV SHIFT ASSY	1	
	24721	24721-PWB1-900	ADJUSTER SHIFT LINKAGE	ADJUSTER SHIFT LINKAGE	1	
	24722	24722-PWB1-900	ROD SHIFTER ADJUSTABLE RH	ROD SHIFTER ADJUSTABLE RH	1	
	24723	24723-PWB1-900	ROD SHIFTER ADJUSTABLE LH	ROD SHIFTER ADJUSTABLE LH	1	
	24781	24781-LFA5-E00	KNOB SHIFTER	KNOB SHIFTER	1	
	2478A	2478A-LFA5-E00	SHIFTER KNOB ASSY	SHIFTER KNOB ASSY	1	
	35340	35340-PWB1-E00	SWITCH BRAKE PRESSURE DOUBLE	SWITCH BRAKE PRESSURE DOUBLE BANJO	1	
	43500	43500-LHM2-E00	M/C ASSY FOOT	M/C ASSY FOOT	1	
**	46500	46500-LGN5-E00	LEVER COMP BRAKE	LEVER COMP BRAKE	1	
	46503	46503-LFA5-E00	PIN CLEVIS	PIN CLEVIS	1	
**	86302	86302-LFA5-E00	EMB GEAR REVERAL CHANGE	EMB GEAR REVERAL CHANGE	1	
	90111	90111-PWB1-900	BOLT FLANGE 6MM	BOLT FLANGE 6MM	1	
	90301	90301-6D34-671	NUT FLANGE 6MM	NUT FLANGE 6MM	1	



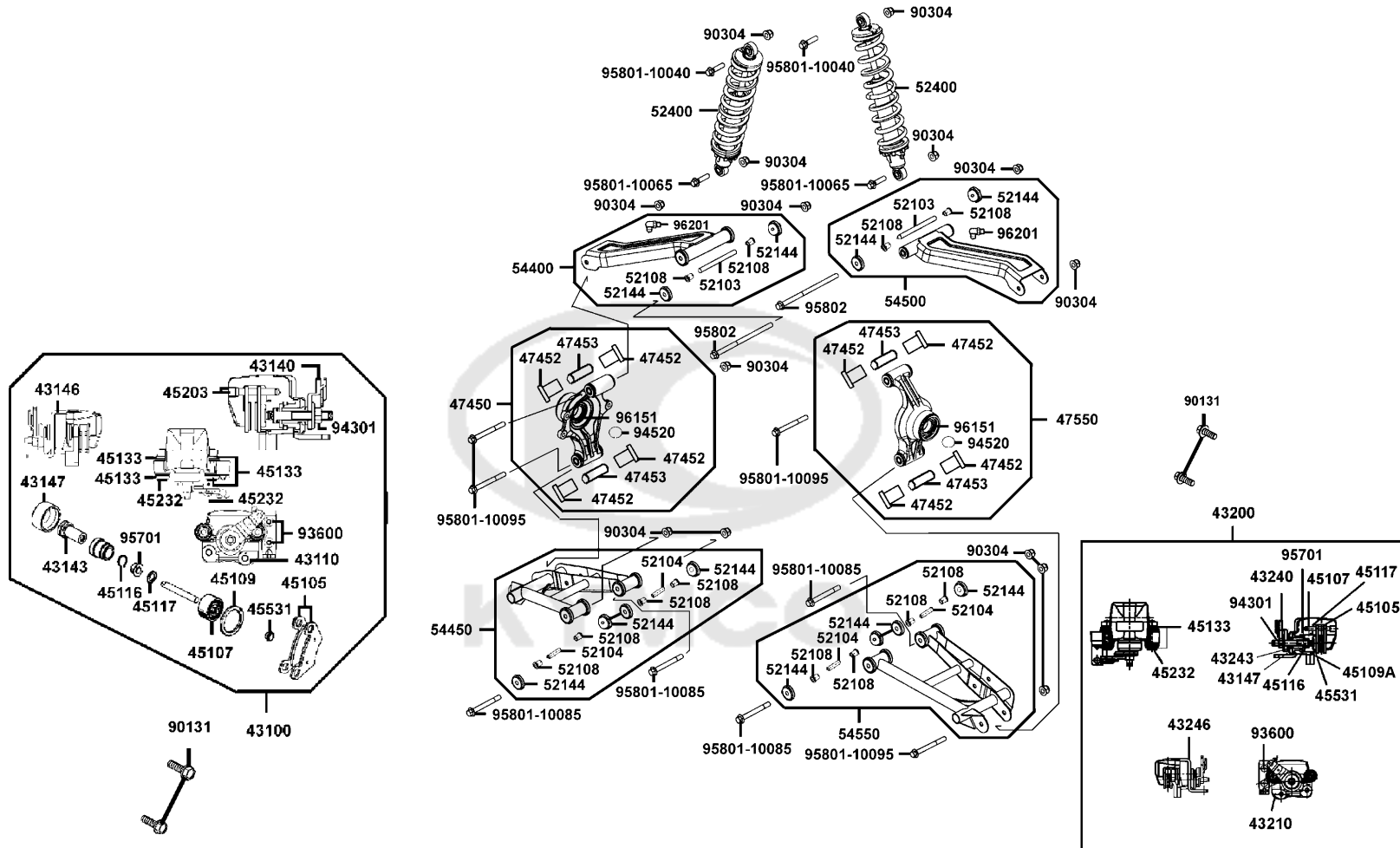
Sales mark	Ref no	Part no	Description	Reg description	Regd no	F15
90501		90501-3L10-001	WASHER 7*12	WASHER 7*12	1	
90545		90545-3L00-001	WASHER OIL BOLT	WASHER OIL BOLT	3	
90652		90652-PWB1-900	X'MAS TREE CLIP	X'MAS TREE CLIP	1	
94001-10080		94001-10080-0S	NUT HEX 10MM	NUT HEX 10MM	1	
94001-LLB1		94001-LLB1-900	NUT HEX 6 MM	NUT HEX 6 MM	1	
94050		94050-06060	NUT FLANGE 6MM	NUT FLANGE 6MM	1	
94102-08000		94102-08000	WASHER PLAIN 8MM	WASHER PLAIN 8MM	1	
94102-PWB1		94102-PWB1-900	WASHER FLAT	WASHER FLAT	1	
94103		94103-08800	WASHER PLAIN 8MM	WASHER PLAIN 8MM	1	
94201		94201-20120	PIN SPLIT 2*12	PIN SPLIT 2*12	1	
94540		94540-06012	E RING 6	E RING 6	1	
95701-06022		95701-06022-06	BOLT FLANGE 6*22	BOLT FLANGE 6*22	1	
95701-08012		95701-08012-06	BOLT FLANGE 8*12	BOLT FLANGE 8*12	1	
95701-08016		95701-08016-06	BOLT FLANGE 8*16	BOLT FLANGE 8*16	1	
96001		96001-06020-06	BOLT FLANGE SH 6*20	BOLT FLANGE SH 6*20	1	



Sales mark	Ref no	Part no	Description	Reg description	Regd no	F16
**	43100	43100-LFA5-E00	CALIPER ASSY REAR	CALIPER ASSY REAR	1	
	43110	43110-LFA5-E00	BRACKET CALIPER	BRACKET CALIPER	2	
	43140	43140-LEC1-E00	ARM BRAKE	ARM BRAKE	2	
	43143	43143-LEC1-E00	BOLT DRIVE	BOLT DRIVE	2	
	43146	43146-LEC1-E00	BRACKET CABLE	BRACKET CABLE	2	
	43147	43147-LEC1-E00	CAP	CAP	2	
**	43200	43200-LFA5-E00	CALIPER ASSY,REAR LH PARKING B	CALIPER ASSY,REAR LH PARKING B	1	
	43210	43210-LFA5-E00	BRACKET CALIPER	BRACKET CALIPER	1	
	43240	43240-LFA5-E00	ARM BRAKE	ARM BRAKE	1	
	43243	43243-LFA5-E00	BOLT DRIVE	BOLT DRIVE	1	
	43246	43246-LFA5-E00	BRACKET CABLE	BRACKET CABLE	1	
	45105	45105-LFA5-305	PAD ASSY	PAD ASSY	2	
	45107	45107-LEC1-E00	PISTON C/P (Ø25.4MM)	PISTON C/P (Ø25.4MM)	2	
	45109	45109-LEC1-E00	SEAL DUST	SEAL DUST	2	
	45109A	45109-LFA5-E00	SEAL DUST	SEAL DUST	1	
	45116	45116-LEC1-E00	CLIP	CLIP	2	
	45117	45117-LEC1-E00	WASHER	WASHER	2	
	45133	45133-LEC1-E00	BOOT	BOOT	8	
	45203	45203-LEC1-E00	PIN HANGER	PIN HANGER	4	
	45232	45232-LEC1-E00	PIN BOLT	PIN BOLT	4	



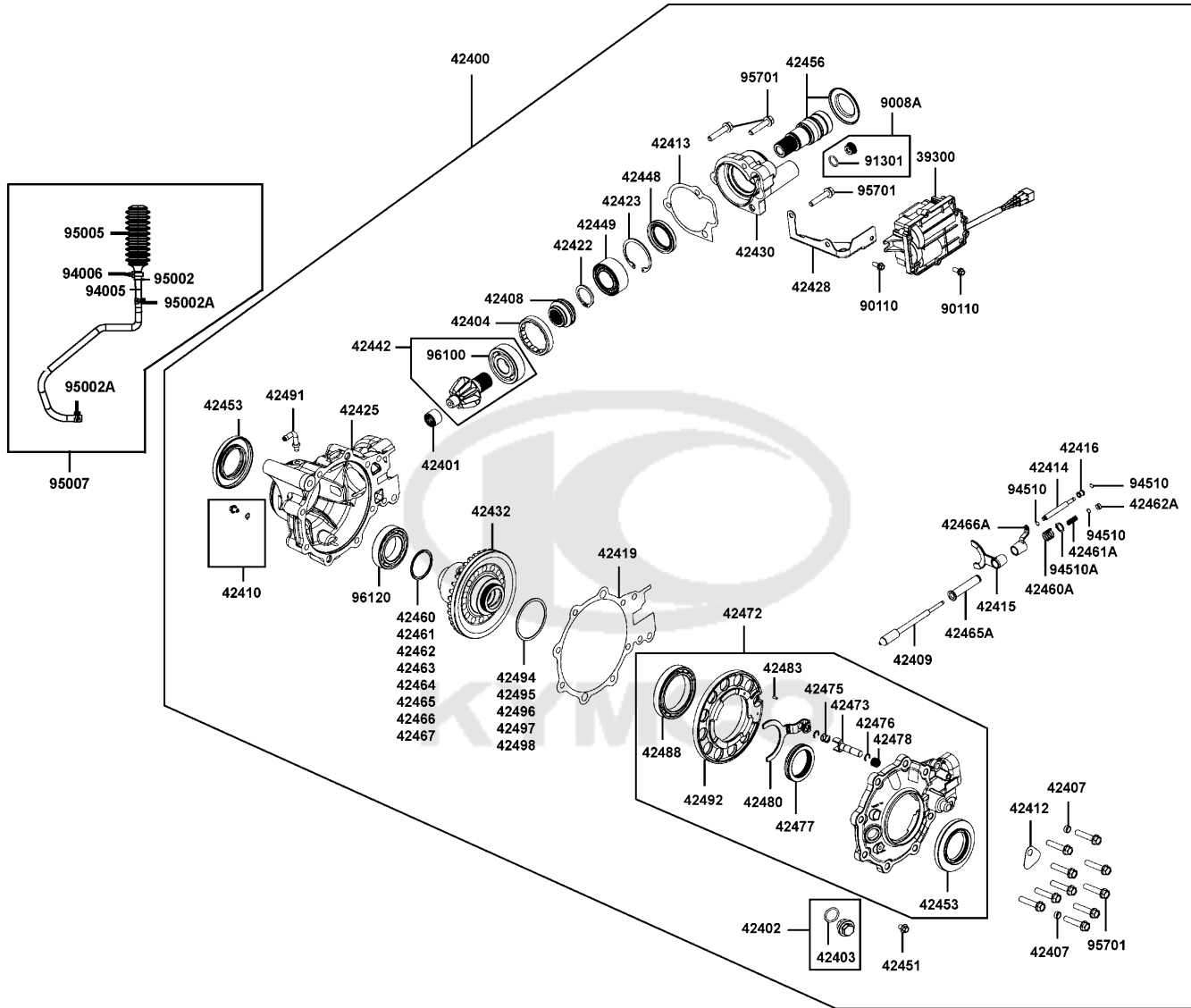
Sales mark	Ref no	Part no	Description	Reg description	Regd no	F16
	45531	45531-LEC1-E00	PLUG	PLUG	2	
	47450	47450-PWB1-900	KNUCKLE REAR ASSEMBLY RH	KNUCKLE REAR ASSEMBLY RH	1	
	47452	47452-PWB1-900	BUSHING RR SUSPENSION	BUSHING RR SUSPENSION	8	
	47453	47453-PWB1-900	COLLAR SUSPENSION	COLLAR SUSPENSION	4	
	47550	47550-PWB1-E00	KNUCKLE REAR ASSEMBLY LH	KNUCKLE REAR ASSEMBLY LH	1	
	52103	52103-PWB1-900	SLEEVE SUSPENSION	SLEEVE SUSPENSION	2	
	52104	52104-PWB1-900	SLEEVE SUSPENSION	SLEEVE SUSPENSION	4	
	52108	52108-PWB1-900	BUSHING SUSPENSION	BUSHING SUSPENSION	12	
	52144	52144-PWB1-900	SEAL SUSPENSION	SEAL SUSPENSION	10	
**	52400	52400-PWB1-900	CUSHION ASSY RR	CUSHION ASSY RR	2	
**	54400	54400-AEC7-E00	CONTROL ARM LH UPPER ASSY	CONTROL ARM LH UPPER ASSY	1	
**	54450	54450-LFA5-E00	A-ARM RH LOWER ASSEM	A-ARM RH LOWER ASSEM	1	
**	54500	54500-PRB1-900	CONTROL ARM LH UPPER ASSY	CONTROL ARM LH UPPER ASSY	1	
**	54550	54550-LFA5-E00	A-ARM LH LOWER ASSEM	A-ARM LH LOWER ASSEM	1	
	90131	90131-PRB3-900	BOLT FLANGE 8X20	BOLT FLANGE 8X20	4	
	90304	90304-GLW0-90A	NUT U FLANGE 10MM	NUT U FLANGE 10MM	16	
	93600	93600-LEC1-E00	SCREW FLAT 6MM	SCREW FLAT 6MM	2	
	94301	94301-08060	NUT HEC 8MM	NUT HEC 8MM	2	
	94520	94520-55000	CIR CLIP IN 55	CIR CLIP IN 55	2	
	95701	95701-LEC1-E00	BOLT ADJUST	BOLT ADJUST	2	



Sales mark	Ref no	Part no	Description	Reg description	Regd no	F16
	95801-10040	95801-10040-06	BOLT FLANGE 10X40	BOLT FLANGE 10X40	1	
	95801-10065	95801-10065-06	BOLT FLANGE 10*65	BOLT FLANGE 10*65	1	
	95801-10085	95801-10085-06	BOLT FLANGE 10*85	BOLT FLANGE 10*85	4	
	95801-10095	95801-10095-06	BOLT FLANGE 10*95	BOLT FLANGE 10*95	4	
	95802	95802-PWB1-900	SCREW CAP-HFH M10X1.25X180	SCREW CAP-HFH M10X1.25X180	2	
	96151	96151-PWB1-900	BEARING WHEEL	BEARING WHEEL	2	
	96201	96201-ACD3-E00	NIPPLE GREASE	NIPPLE GREASE	2	



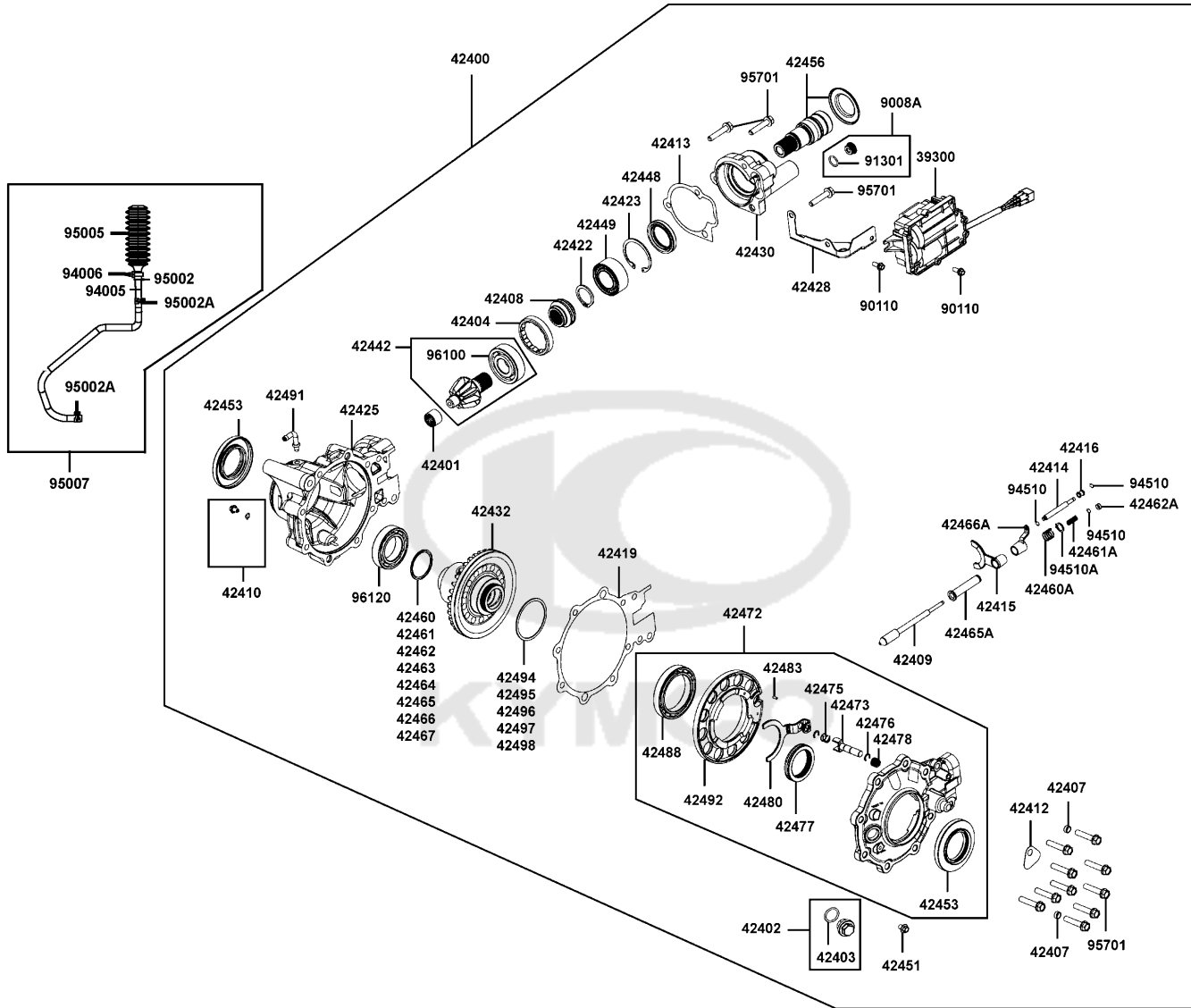
E-LOCK OPEN TYPE GEARCASE



Sales mark	Ref no	Part no	Description	Reg description	Regd no	F17
39300		39300-LKC3-500	ACTUATOR	ACTUATOR	1	
42400		42400-LKK7-510	E-LOCK OPEN TYPE GEARCASE 3.1	E-LOCK OPEN TYPE GEARCASE 3.1	1	
42401		42401-LFA5-90B	BEARING.NEEDLE(16NQ2316)	BEARING.NEEDLE(16NQ2316)	1	
42402		42402-LFA5-900	PLUG FILL	PLUG FILL	1	
42403		42403-PWB1-900	O-RING 20X2.5MM	O-RING 20X2.5MM	1	
42404		42404-LFA5-900	COLLAR LOCK M64X1.5 RH	COLLAR LOCK M64X1.5 RH	1	
42407		42407-LFA5-900	PIN DOWEL	PIN DOWEL	1	
42408		42408-LKC3-510	COUPLER DRIVE	COUPLER DRIVE	1	
42409		42409-LKC3-500	SHAFT E-LOCK SELECTOR	SHAFT E-LOCK SELECTOR	1	
42410		42410-LFA5-900	PLUG DRAIN MAG	PLUG DRAIN MAG	1	
42412		42412-LFA5-900	TAG ID GEARCASE	TAG ID GEARCASE	1	
42413		42413-LKC3-500	GASKET FLANGE	GASKET FLANGE	1	
42414		42414-LKC3-500	SHAFT SELECTOR	SHAFT SELECTOR	1	
42415		42415-LKC3-500	FORK SELECTOR	FORK SELECTOR	1	
42416		42416-LKC3-500	COLLAR ACTUATOR	COLLAR ACTUATOR	1	
42419		42419-LKC3-500	GASKET HOUSING	GASKET HOUSING	1	
42422		42422-LFA5-900	RING RETAINING ONE	RING RETAINING ONE	1	
42423		42423-LFA5-900	RING RETAINING	RING RETAINING	1	
42425		42425-LKA8-500	HOUSING GEARCASE-FRONT MACH	HOUSING GEARCASE-FRONT MACH	1	
42428		42428-LKC3-500	BRACKET ACTUATOR-WELDMENT	BRACKET ACTUATOR-WELDMENT	1	

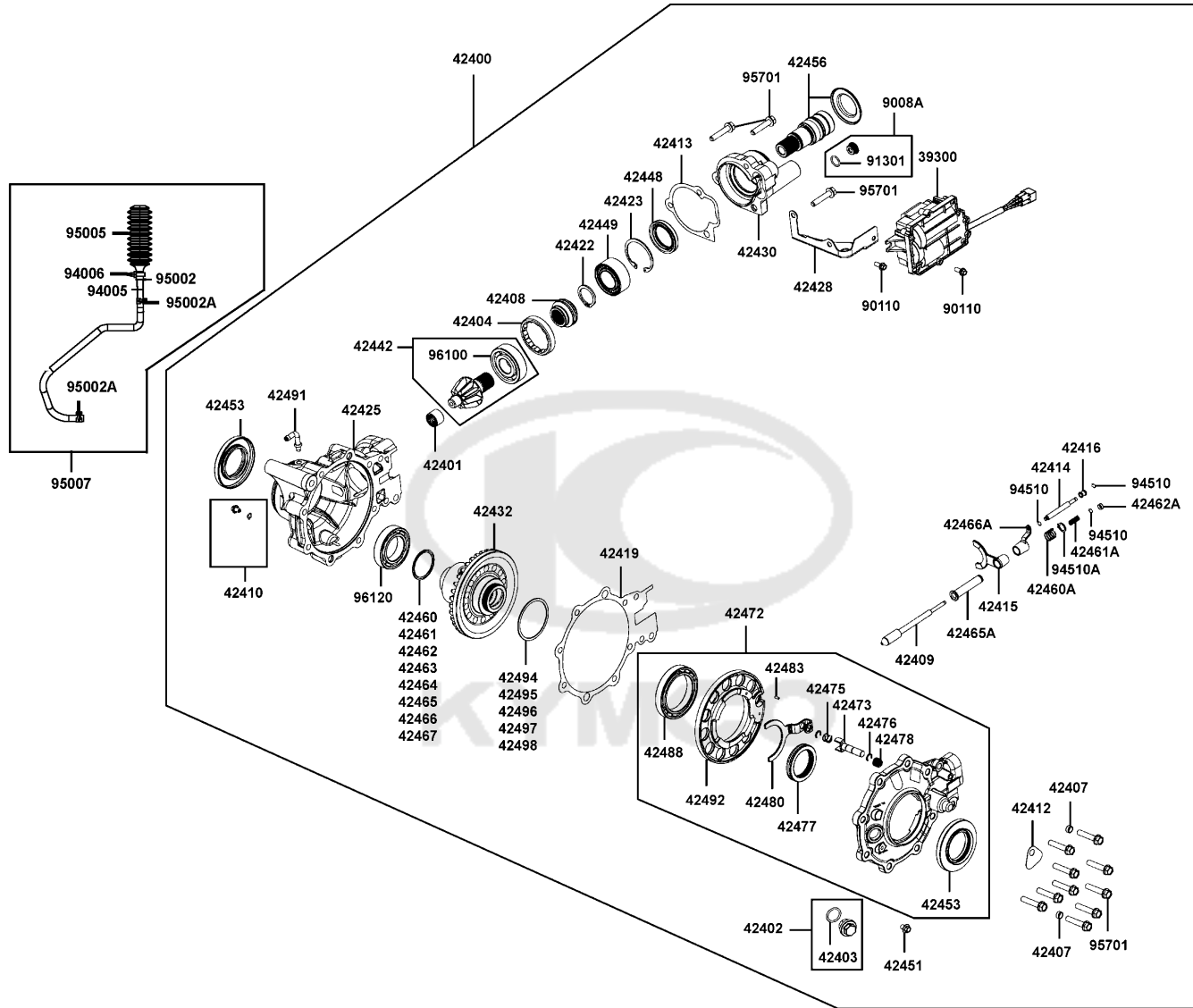
F17

E-LOCK OPEN TYPE GEARCASE



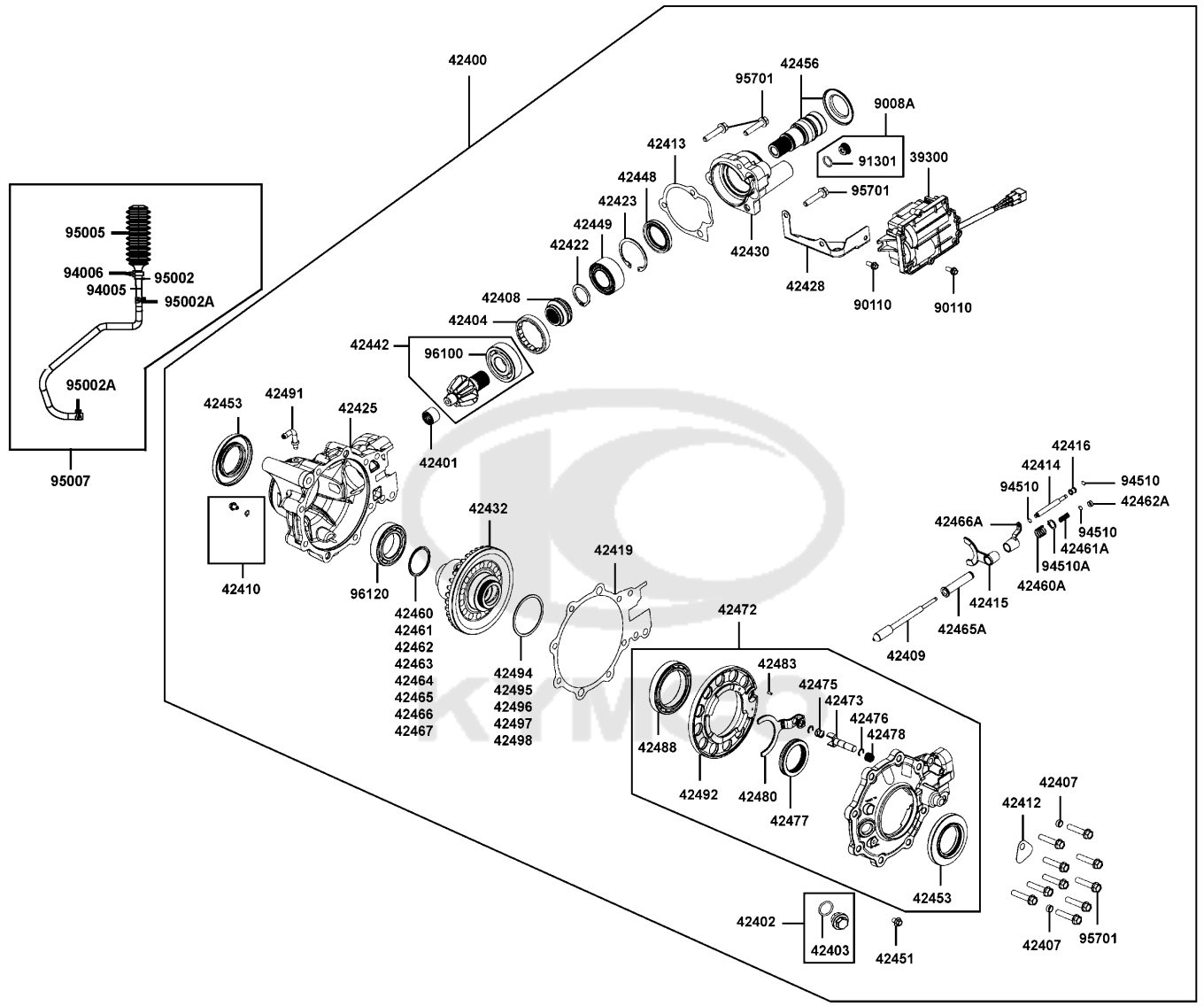
Sales mark	Ref no	Part no	Description	Reg description	Regd no	F17
	42430	42430-LKC3-500	HOUSING PINION-MACH	HOUSING PINION-MACH	1	
	42432	42432-AEB8-E00	GEAR FRONT (34 TOOTH)-WELDMENT	GEAR FRONT (34 TOOTH)-WELDMENT	1	
	42442	42442-LKC3-600	PINION (11 TOOTH)-ASSEMBLY	PINION (11 TOOTH)-ASSEMBLY	1	
	42448	42448-LFA5-900	SEAL 38*55*14	SEAL 38*55*14	1	
	42449	42449-LFA5-90B	BEARING.BALL-DOUBLE ROW	BEARING.BALL-DOUBLE ROW	1	
	42451	42451-LFA5-900	PLUG OIL LEVEL	PLUG OIL LEVEL	1	
	42453	42453-LGC3-900	OIL SEAL 48*84*9	OIL SEAL 48*84*9	1	
	42456	42456-LKM8-510	SHAFT INPUT ASSEMBLY	SHAFT INPUT ASSEMBLY	1	
	42460	42460-LFA5-900	SHIM 41*49*1.0	SHIM 41*49*1.0	1	
	42460A	42460-LKC3-500	SPRING A E-LOCK	SPRING A E-LOCK	1	
	42461	42461-LFA5-900	SHIM 41*49*1.1	SHIM 41*49*1.1	1	
	42461A	42461-LKC3-500	SPRING B E-LOCK	SPRING B E-LOCK	1	
	42462	42462-LFA5-900	SHIM 41*49*1.2	SHIM 41*49*1.2	1	
	42462A	42462-LKC3-500	CAP E-LOCK	CAP E-LOCK	1	
	42463	42463-LFA5-900	SHIM 41*49*1.3	SHIM 41*49*1.3	2	
	42464	42464-LFA5-900	SHIM 41*49*1.4	SHIM 41*49*1.4	2	
	42465	42465-LFA5-900	SHIM 41*49*1.5	SHIM 41*49*1.5	1	
	42465A	42465-LKC3-510	SHAFT SELECTOR	SHAFT SELECTOR	1	
	42466	42466-LFA5-900	SHIM 41*49*1.6	SHIM 41*49*1.6	1	
	42466A	42466-LKC3-500	STAY..SELECTOR	STAY..SELECTOR	1	

E-LOCK OPEN TYPE GEARCASE

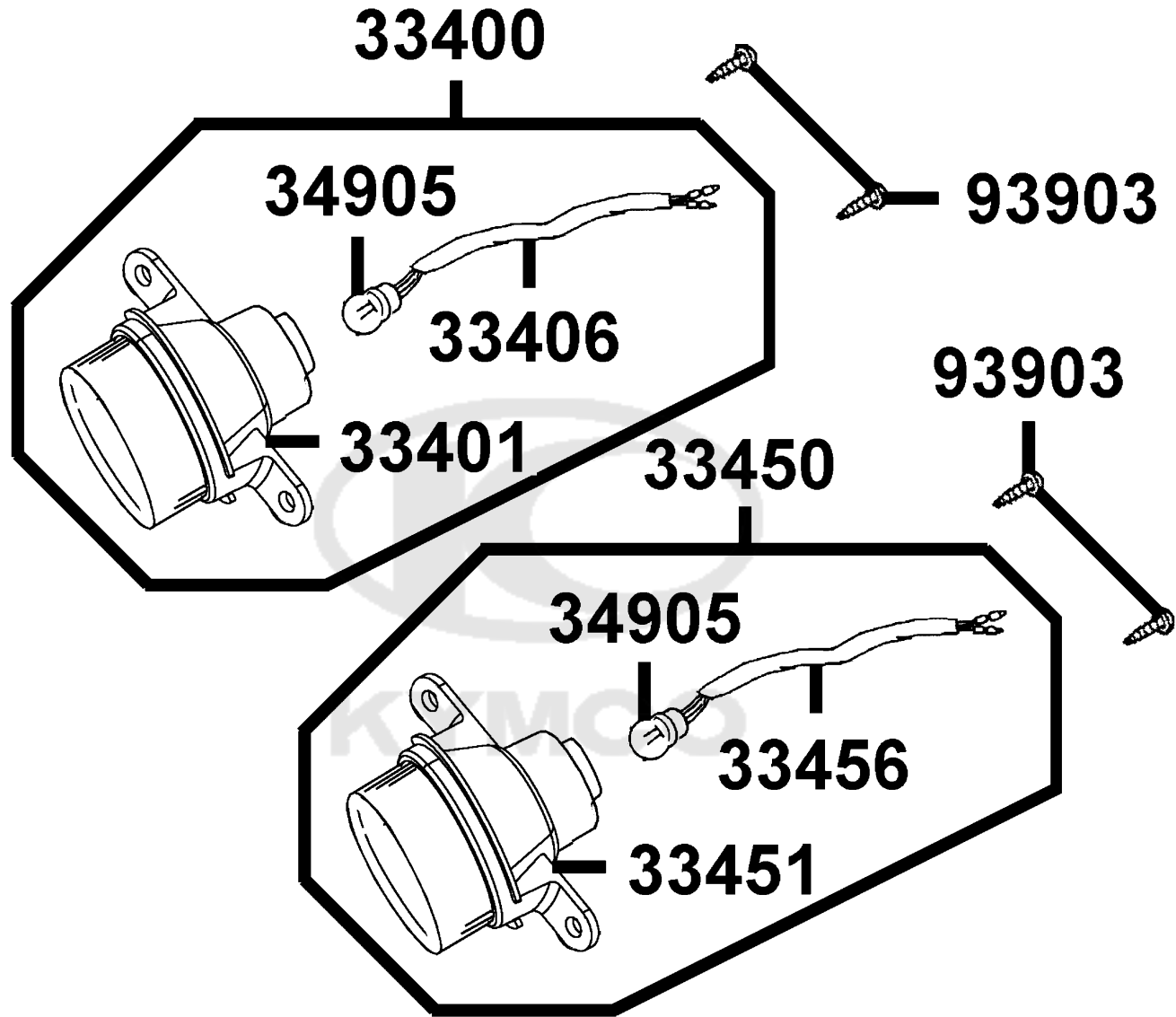


Sales mark	Ref no	Part no	Description	Reg description	Regd no	F17
42467		42467-LFA5-900	SHIM 41*49*1.7	SHIM 41*49*1.7	2	
42472		42472-LKC3-500	COVEFR LOCK ASSY	COVEFR LOCK ASSY	1	
42473		42473-LKC3-500	SHAFT E-LOCK	SHAFT E-LOCK	1	
42475		42475-LEE8-E00	SPRING	SPRING	1	
42476		42476-LEE8-E00	RING PETAINING	RING PETAINING	1	
42477		42477-LEE8-E00	COLLAR SLDING LOCK	COLLAR SLDING LOCK	1	
42478		42478-LEE8-E00	SPRING SHAFT	SPRING SHAFT	1	
42480		42480-LKC3-500	FORK E-LOCK	FORK E-LOCK	1	
42483		42483-LEE8-E00	PIN PARALLEL	PIN PARALLEL	1	
42488		42488-LEE8-E00	BEARING BALL	BEARING BALL	1	
42491		42491-LEE8-E00	BARB 90	BARB 90	1	
42492		42492-LKC3-500	FLANGE BEARING MACH	FLANGE BEARING MACH	1	
42494		42494-LEE8-E00	SHIM 61*69*1.3mm	SHIM 61*69*1.3mm	1	
42495		42495-LEE8-E00	SHIM 61*69*1.4mm	SHIM 61*69*1.4mm	1	
42496		42496-LEE8-E00	SHIM 61*69*1.5mm	SHIM 61*69*1.5mm	1	
42497		42497-LEE8-E00	SHIM 61*69*1.6mm	SHIM 61*69*1.6mm	1	
42498		42498-LEE8-E00	SHIM 61*69*1.7 mm	SHIM 61*69*1.7 mm	1	
9008A		9008A-LKC3-500	CAP ASSY E-LOCK	CAP ASSY E-LOCK	1	
90110		90110-LFA5-900	BOLT SPECIAL 6X12	BOLT SPECIAL 6X12	3	
91301		91301-LKC3-500	O-RING 14.8X1.9	O-RING 14.8X1.9	1	

E-LOCK OPEN TYPE GEARCASE

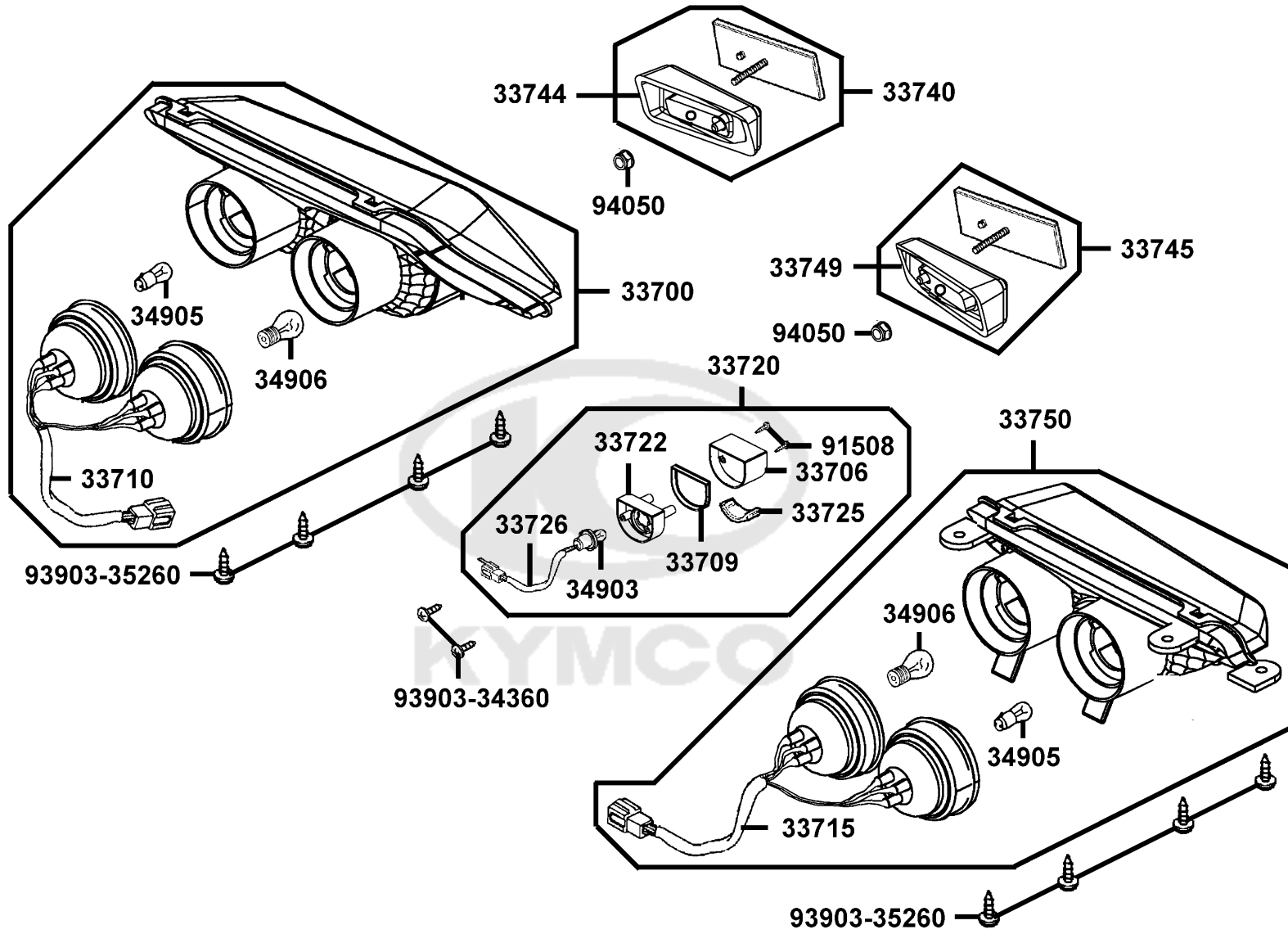


Sales mark	Ref no	Part no	Description	Reg description	Regd no	F17
94005		94005-PWB1-900	HOSE BARB INTAKE MANIFOLD	HOSE BARB INTAKE MANIFOLD	1	
94006		94006-PWB1-900	ROUTING CLIP SNAP-IN	ROUTING CLIP SNAP-IN	1	
94510		94510-05000	CIR CLIP EX5	CIR CLIP EX5	3	
94510A		94510-12000	CIR CLIP EXTERNAL 12	CIR CLIP EXTERNAL 12	1	
95002		95002-02100	CLIP B15 TUBE	CLIP B15 TUBE	1	
95002A		95002-40950-08	CLAMP D9.5 TUBE	CLAMP D9.5 TUBE	2	
95005		95005-PWB1-900	BREATH TUBE RR GEAR ASSY	BREATH TUBE RR GEAR ASSY	1	
95007		95007-AED1-E00	HOSEVENT-GEARCASE	HOSEVENT-GEARCASE	1	
95701		95701-08040-06	BOLT FLANGE 8x40 (G)	BOLT FLANGE 8x40 (G)	13	
96100		96100-63050-00	BRG BALL RADIAL 6305	BRG BALL RADIAL 6305	1	
96120		96120-60080-00	BEARING BALL 6008Z	BEARING BALL 6008Z	2	

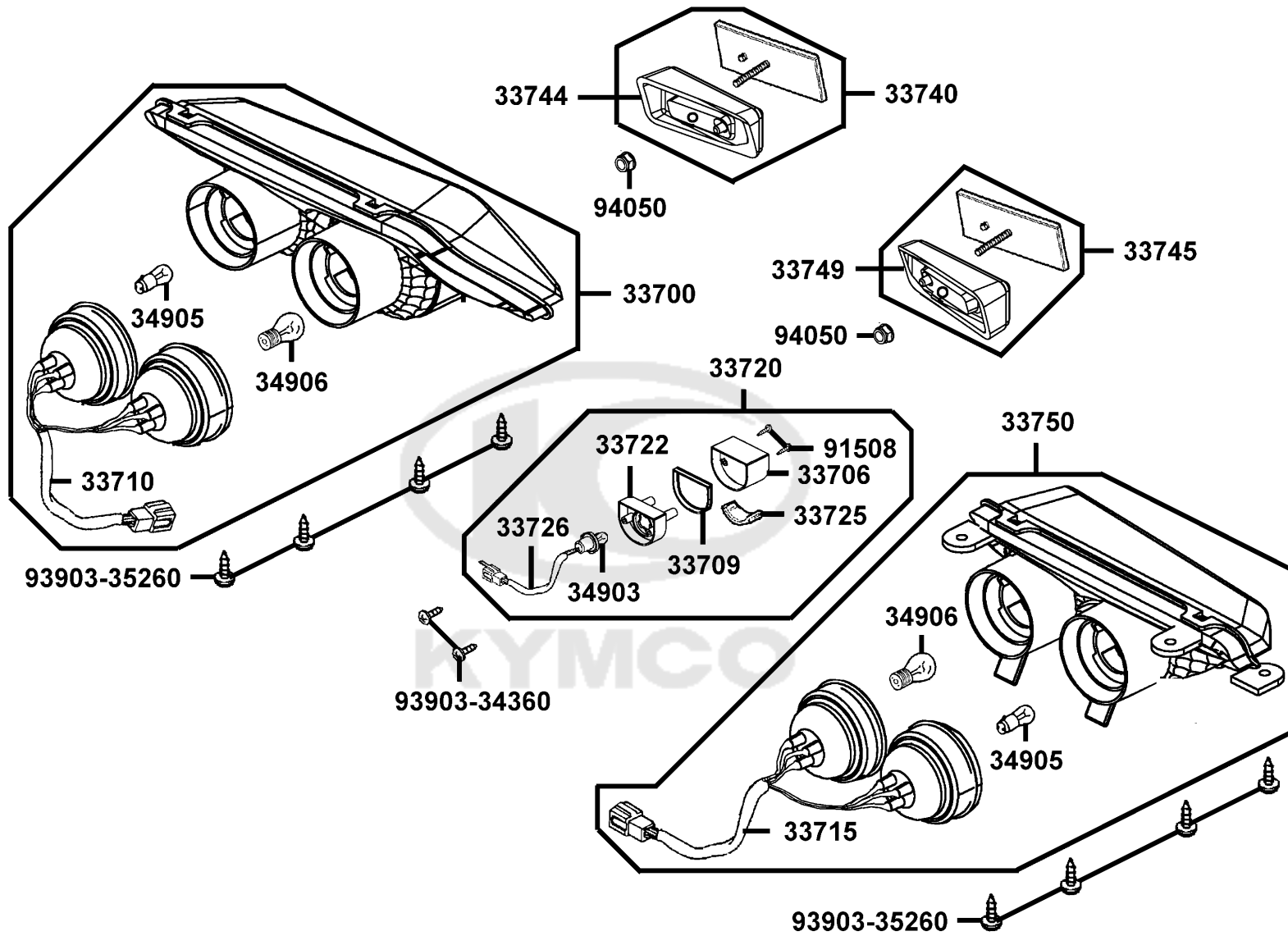


Sales mark	Ref no	Part no	Description	Reg description	Regd no	F18
	33400	33400-LFA5-E00	WINKER ASSY R FR	WINKER ASSY R FR	1	
	33401	33401-LFA5-E00	UNIT WINKER R FR	UNIT WINKER R FR	1	
	33406	33406-LFA5-E00	SOCKET COMP R FR	SOCKET COMP R FR	1	
	33450	33450-LFA5-E00	WINKER ASS'Y L FR	WINKER ASS'Y L FR	1	
	33451	33451-LFA5-E00	UNIT WINKER L FR	UNIT WINKER L FR	1	
	33456	33456-LFA5-E00	SOCKET COMP L FR	SOCKET COMP L FR	1	
	34905	34905-LBA7-E00	BULB WINKER 12V10W	BULB WINKER 12V10W	2	
	93903	93903-35260	SCREW TAPPING 5*12	SCREW TAPPING 5*12	4	





Sales mark	Ref no	Part no	Description	Reg description	Regd no	F19
33700		33700-LFA5-E00	LIGHT ASSY R RR COMB	LIGHT ASSY R RR COMB	1	
33706		33706-GCN3-67A	COVER LICENSE	COVER LICENSE	1	
33709		33709-KBAB-003	PACKING LICENSE	PACKING LICENSE	1	
33710		33710-LFA5-E00	SOCKEY COMP R RR COMB	SOCKEY COMP R RR COMB	1	
33715		33715-LFA5-E00	SOCKEY COMP L RR COMB	SOCKEY COMP L RR COMB	1	
33720		33720-LCA5-E00	LIGHT ASSY LICENSE	LIGHT ASSY LICENSE	1	
33722		33722-KHB4-E00	BASE LICENSE	BASE LICENSE	1	
33725		33725-KHB4-E00	LENS LICENSE	LENS LICENSE	1	
33726		33726-LCA5-E00	SOCKET COMP	SOCKET COMP	1	
33740		33740-LFA5-E00	REFLECTOR ASSY R RR	REFLECTOR ASSY R RR	1	
33744		33744-LFA5-E00	PACKING R REFLECTOR RR	PACKING R REFLECTOR RR	1	
33745		33745-LFA5-E00	REFLECTOR ASSY L RR	REFLECTOR ASSY L RR	1	
33749		33749-LFA5-E00	PACKING L REFLECTOR RR	PACKING L REFLECTOR RR	1	
33750		33750-LFA5-E00	LIGHT ASSY L RR COMB	LIGHT ASSY L RR COMB	1	
34903		34903-KPCP-900	BULB POSITION LIGHT 12V5W	BULB POSITION LIGHT 12V5W	1	
34905		34905-LBA7-E00	BULB WINKER 12V10W	BULB WINKER 12V10W	2	
34906		34906-KPCP-900	BULB TAIL & STOP	BULB TAIL & STOP	2	
91508		91508-KGV7-67A	SCREW TAPPING 4*14	SCREW TAPPING 4*14	2	
93903-34360		93903-34360	SCREW TAPPING 4X12	SCREW TAPPING 4X12	2	
93903-35260		93903-35260	SCREW TAPPING 5*12	SCREW TAPPING 5*12	8	



Sales mark	Ref no	Part no	Description	Reg description	Regd no	F19
------------	--------	---------	-------------	-----------------	---------	------------

94050

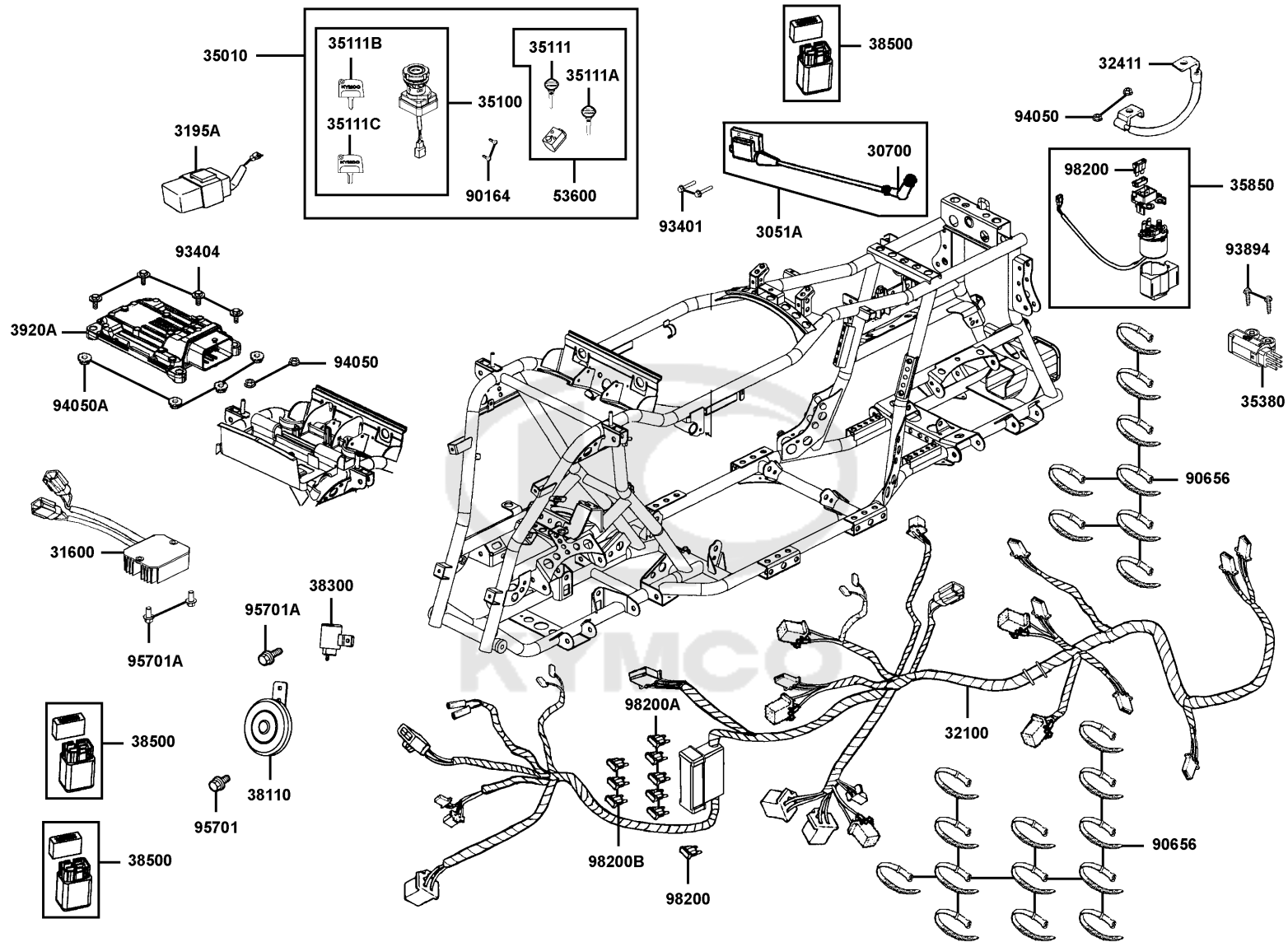
94050-05060

NUT FLANGE 5MM

NUT FLANGE 5MM

2

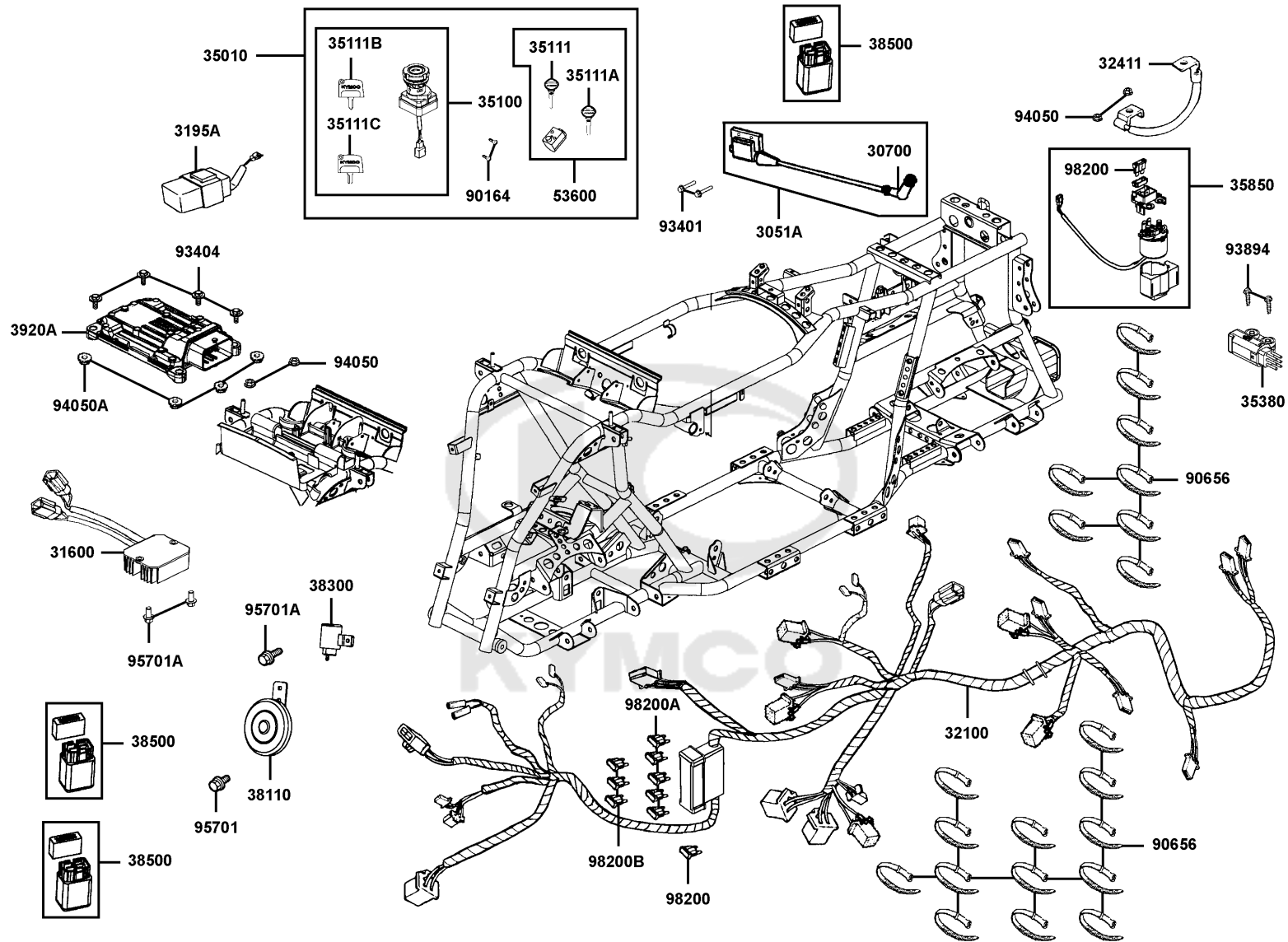




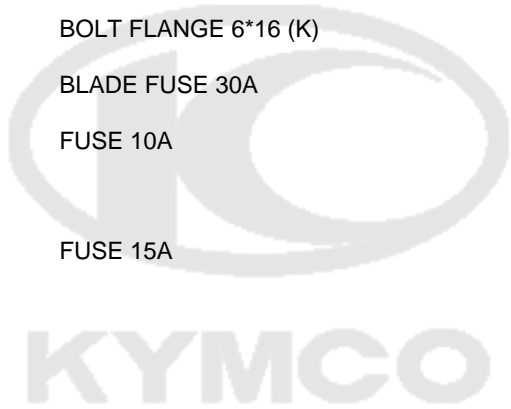
Sales mark	Ref no	Part no	Description	Reg description	Regd no	F20
	3051A	3051A-PRB8-900	COIL ASS'Y IGNITION	COIL ASS'Y IGNITION	1	
	30700	30700-PTA1-800	CAP ASSY NOISE SUPPRESOR	CAP ASSY NOISE SUPPRESOR	1	
	31600	31600-PRB8-900	REG RECT COMP	REG RECT COMP	1	
	3195A	3195A-LBA7-E00	HAZARD CONTROL ASSY	HAZARD CONTROL ASSY	1	
	32100	32100-BAD9-E00	HARNES WIRE	HARNES WIRE	1	
	32411	32411-LGN5-E00	CABLE BAT	CABLE BAT	1	
	35010	35010-LFA5-EV0	KEY SET (A.H.C.)	KEY SET (A.H.C.)	1	
	35100	35100-PWB1-305	SW ASSY COMB	SW ASSY COMB	1	
	35111	35111-KUDU-305-M2	KEY COMP (R TANGENT PLANE TJ)	KEY COMP (R TANGENT PLANE TJ)	1	
	35111A	35111-KUDU-306-M2	KEY COMP(L TANGENT PLANE TJ)	KEY COMP(L TANGENT PLANE TJ)	1	
	35111B	35111-LFA5-305-M2	KEY COMP (R TANGENT PLANE/TJ)	KEY COMP (R TANGENT PLANE/TJ)	1	
	35111C	35111-LFA5-306-M2	KEY COMP (L TANGENT PLANE/TJ)	KEY COMP (L TANGENT PLANE/TJ)	1	
	35380	35380-LDF2-900	SENSOR ANGLE DETECT	SENSOR ANGLE DETECT	1	
	35850	35850-LBA2-E00	SET START MAG	SET START MAG	1	
	38110	38110-LDB5-E00	HORN COMP	HORN COMP	1	
	38300	38300-LBC6-90A	RELAY COMP WINKER	RELAY COMP WINKER	1	
	38500	38500-LGL3-90A	RELAY ASSY LIGHT	RELAY ASSY LIGHT	2	
	3920A	3920A-BAD9-E00	ECU ASS'Y	ECU ASS'Y	1	
	53600	53600-KKAK-325	LOCK STEERING HANDLE ASSY	LOCK STEERING HANDLE ASSY	1	
	90164	90164-0H28-900	SCREW FLAT U LOCK 6*12	SCREW FLAT U LOCK 6*12	2	

F20

Harness Wire

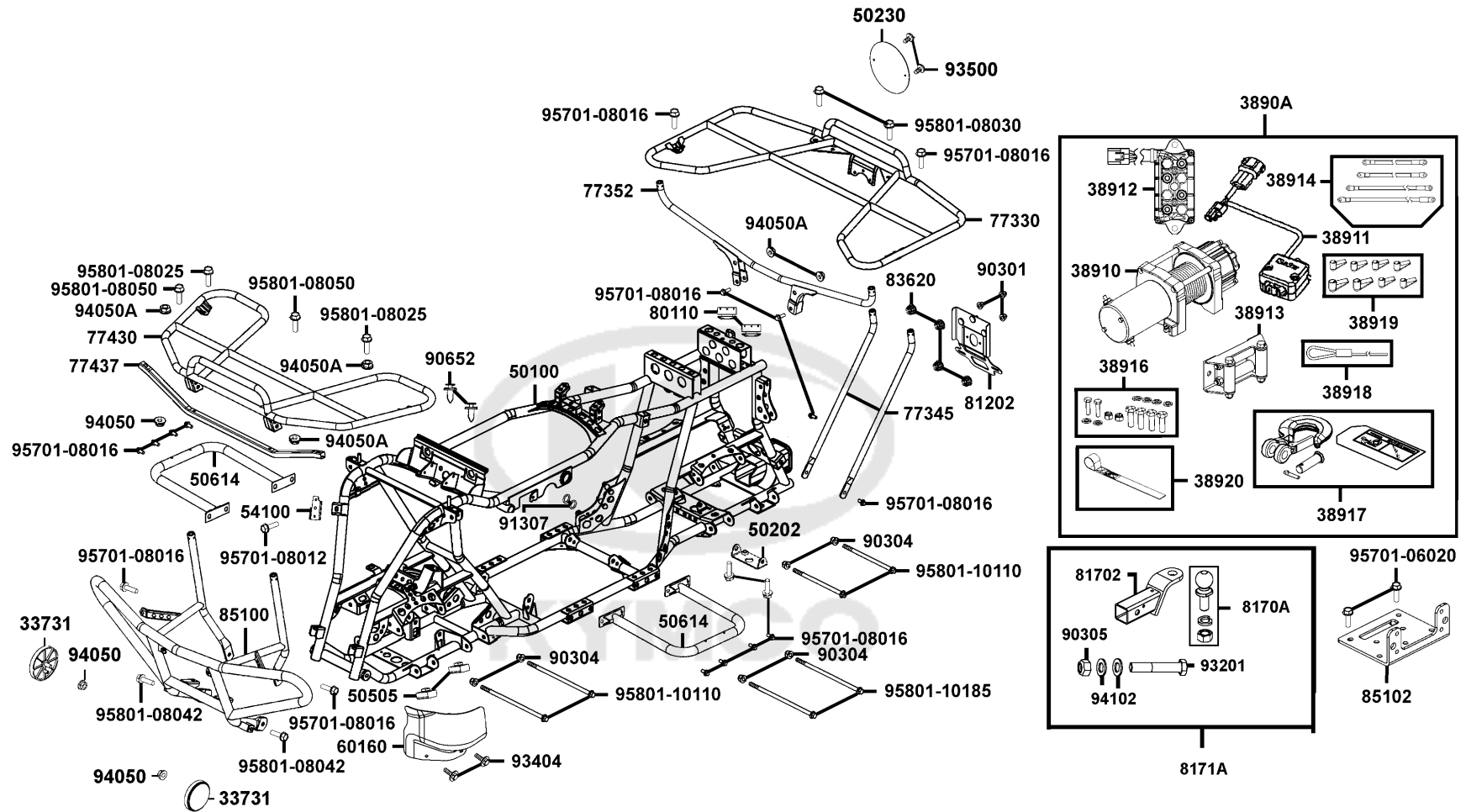


Sales mark	Ref no	Part no	Description	Reg description	Regd no	F20
90656		90656-KCBC-900	BAND OIL HANDLE 8X146	BAND OIL HANDLE 8X146	21	
93401		93401-04025-06	BOLT WASHER 4X25	BOLT WASHER 4X25	1	
93404		93404-06020-06	BOLT WASHER 6X20	BOLT WASHER 6X20	4	
93894		93894-04022-06	SCREW WASHER 4X22	SCREW WASHER 4X22	1	
94050		94050-06080	NUT FLANGE 6MM	NUT FLANGE 6MM	4	
94050A		94050-LDE9-E00	NUT LOCK	NUT LOCK	4	
95701		95701-06012-06	BOLT FLANGE 6X12	BOLT FLANGE 6X12	1	
95701A		95701-06016-06	BOLT FLANGE 6*16 (K)	BOLT FLANGE 6*16 (K)	2	
98200		98200-33000	BLADE FUSE 30A	BLADE FUSE 30A	2	
98200A		98200-41000	FUSE 10A	FUSE 10A	4	
98200B		98200-41500	FUSE 15A	FUSE 15A	2	



F21

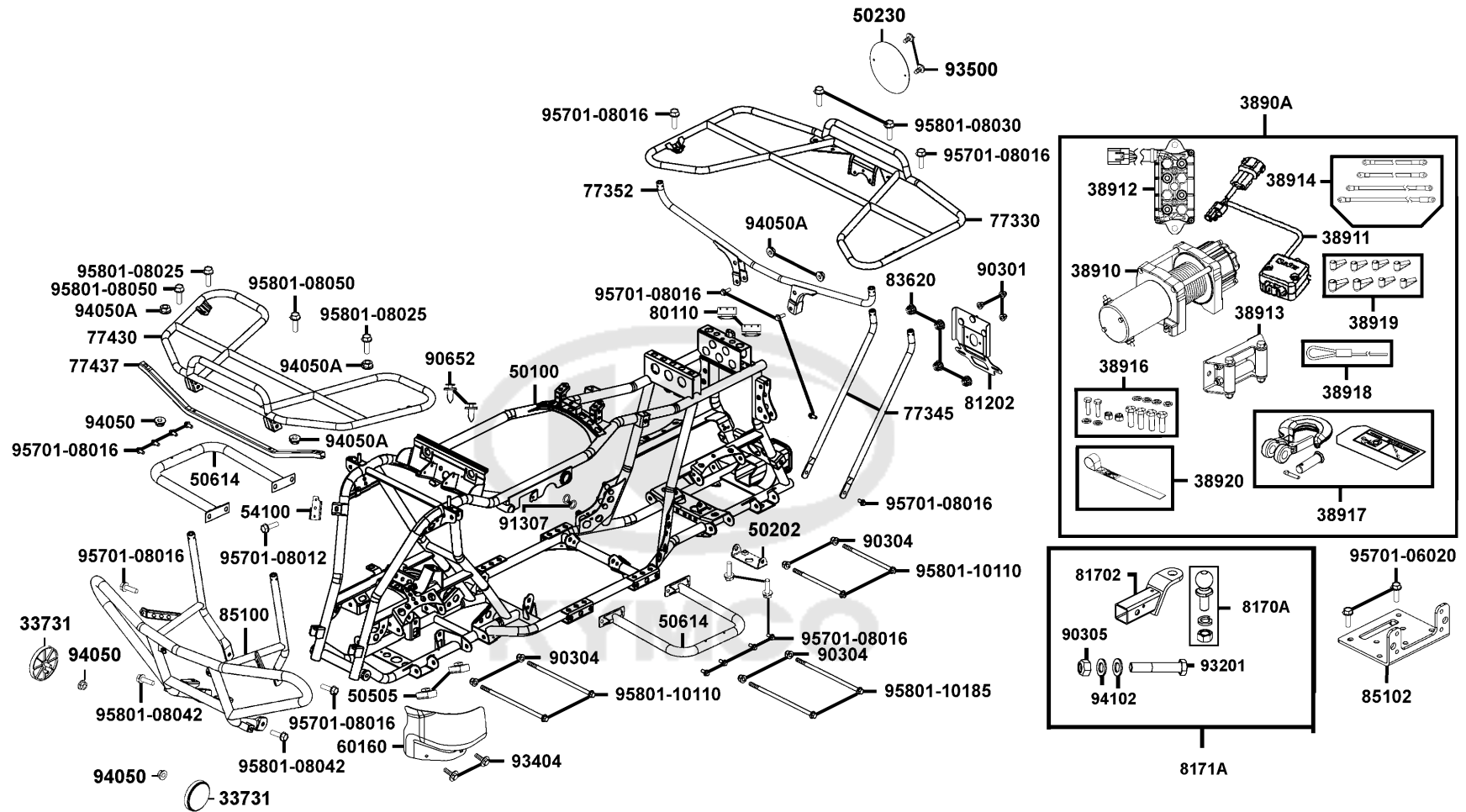
Frame Body



Sales mark	Ref no	Part no	Description	Reg description	Regd no	F21
	33731	33731-KHC5-M00	REFLEX REFLECTOR SIDE	REFLEX REFLECTOR SIDE	2	
	3890A	3890A-LKK7-E00	WINCH ASSY	WINCH ASSY	1	
	38910	38910-PWB1-E03	WINCH COMP	WINCH COMP	1	
	38911	38911-PWB1-E03	ROCKER SWITCH CABLE	ROCKER SWITCH CABLE	1	
	38912	38912-LKK7-E00	RELAY ASSY WINCH	RELAY ASSY WINCH	1	
	38913	38913-PWB1-E03	ROLLER FAILEAD	ROLLER FAILEAD	1	
	38914	38914-LKK7-E00	POWER CORD	POWER CORD	1	
	38916	38916-PWB1-E03	HARDWARE	HARDWARE	1	
	38917	38917-PWB1-E03	HOOK PART ACCESSORIES	HOOK PART ACCESSORIES	1	
	38918	38918-PWB1-E03	CABLE WIRE	CABLE WIRE	1	
	38919	38919-PWB1-E03	INSULATION CAP	INSULATION CAP	1	
	38920	38920-LFA5-600	STRAP HOOK	STRAP HOOK	1	
	50100	50100-AED1-E00	BODY COMP FRAME	BODY COMP FRAME	1	
	50202	50202-AEC7-E00	BRKT RR DIFF	BRKT RR DIFF	1	
	50505	50505-KEBE-900	STOPPER RUBBER	STOPPER RUBBER	1	
	50614	50614-PWB1-900	FOOTREST WELDMENT	FOOTREST WELDMENT	1	
	54100	54100-LGC7-E00	STAY ELE SET	STAY ELE SET	1	
**	60160	60160-LGC7-E00	PROTECTOR HOSE	PROTECTOR HOSE	1	
**	77330	77330-AED1-E01	RACK REAR	RACK REAR	1	
	77345	77345-LKK7-E00	TUBE REAR MOUNT-REAR RACK	TUBE REAR MOUNT-REAR RACK	1	

F21

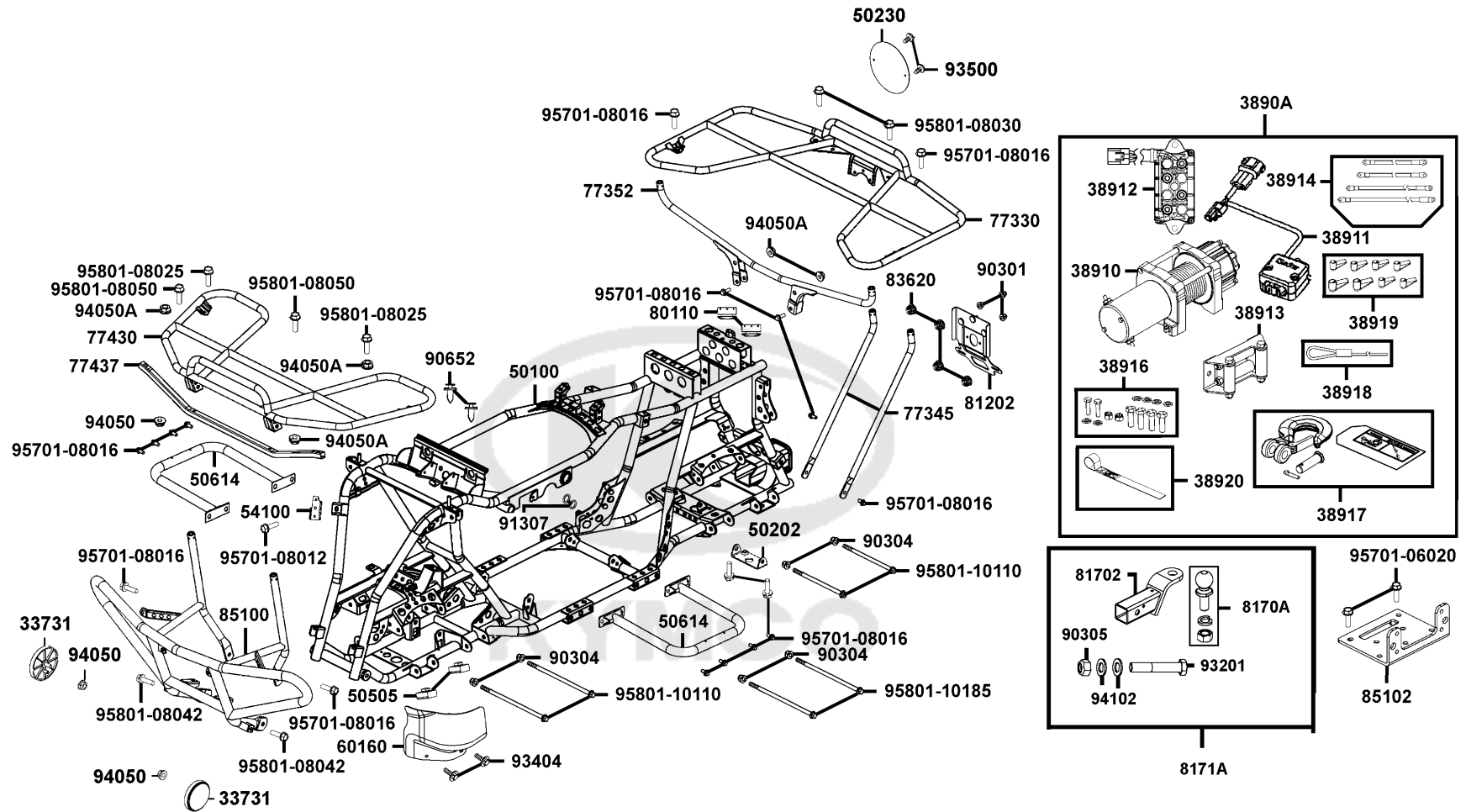
Frame Body



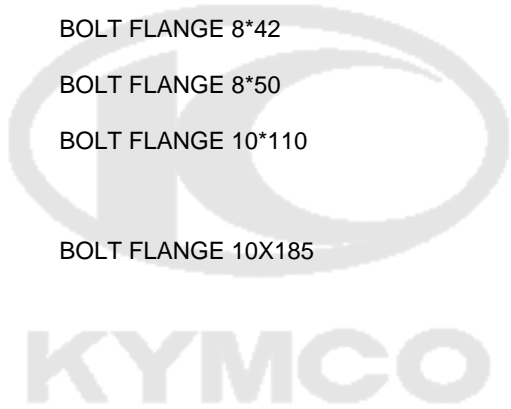
Sales mark	Ref no	Part no	Description	Reg description	Regd no	F21
	77352	77352-LFA5-E00	TUBE RACK MOUNT	TUBE RACK MOUNT	1	
**	77430	77430-AED1-E01	RACK FRONT	RACK FRONT	1	
	77437	77437-LGC3-E00	TUBE REAR MOUNTIMG-FRONT	TUBE REAR MOUNTIMG-FRONT	1	
	80110	80110-LBA7-900	RUBBER REAR FENDER	RUBBER REAR FENDER	2	
	81202	81202-LDB5-E00	STAY NUMBER PLATE	STAY NUMBER PLATE	1	
	81702	81702-ZXA6-E03	HITCH	HITCH	1	
	8170A	8170A-ZXA6-E02	HITCH BALL ASSY	HITCH BALL ASSY	1	
	8171A	8171A-ZXA6-E03	HITCH ASSY	HITCH ASSY	2	
	83620	83620-LFA5-E00	CAP PIPE	CAP PIPE	4	
	85100	85100-LKK7-MG0	BUMPER FRONT	BUMPER FRONT	1	
	85102	85102-LKK7-E00	PLATE WINCH	PLATE WINCH	1	
	90301	90301-6C93-001	NUT 6MM OPENSTAY	NUT 6MM OPENSTAY	2	
	90304	90304-GLW0-90A	NUT U FLANGE 10MM	NUT U FLANGE 10MM	6	
	90305	90305-LKA8-E70	HEX NUT 16MM	HEX NUT 16MM	1	
	90652	90652-LDB5-900	CLIP MUDGUARD	CLIP MUDGUARD	2	
	91307	91307-PWB1-900	O-RING 10.82X1.778	O-RING 10.82X1.778	2	
	93201	93201-16090-0G	HEX BOLT 19*90	HEX BOLT 19*90	1	
	93404	93404-06016-06	BOLT WASHER 6*16	BOLT WASHER 6*16	2	
	93500	93500-05010-0F	SCREW PAN 5X10	SCREW PAN 5X10	2	
	94050	94050-06060	NUT FLANGE 6MM	NUT FLANGE 6MM	2	

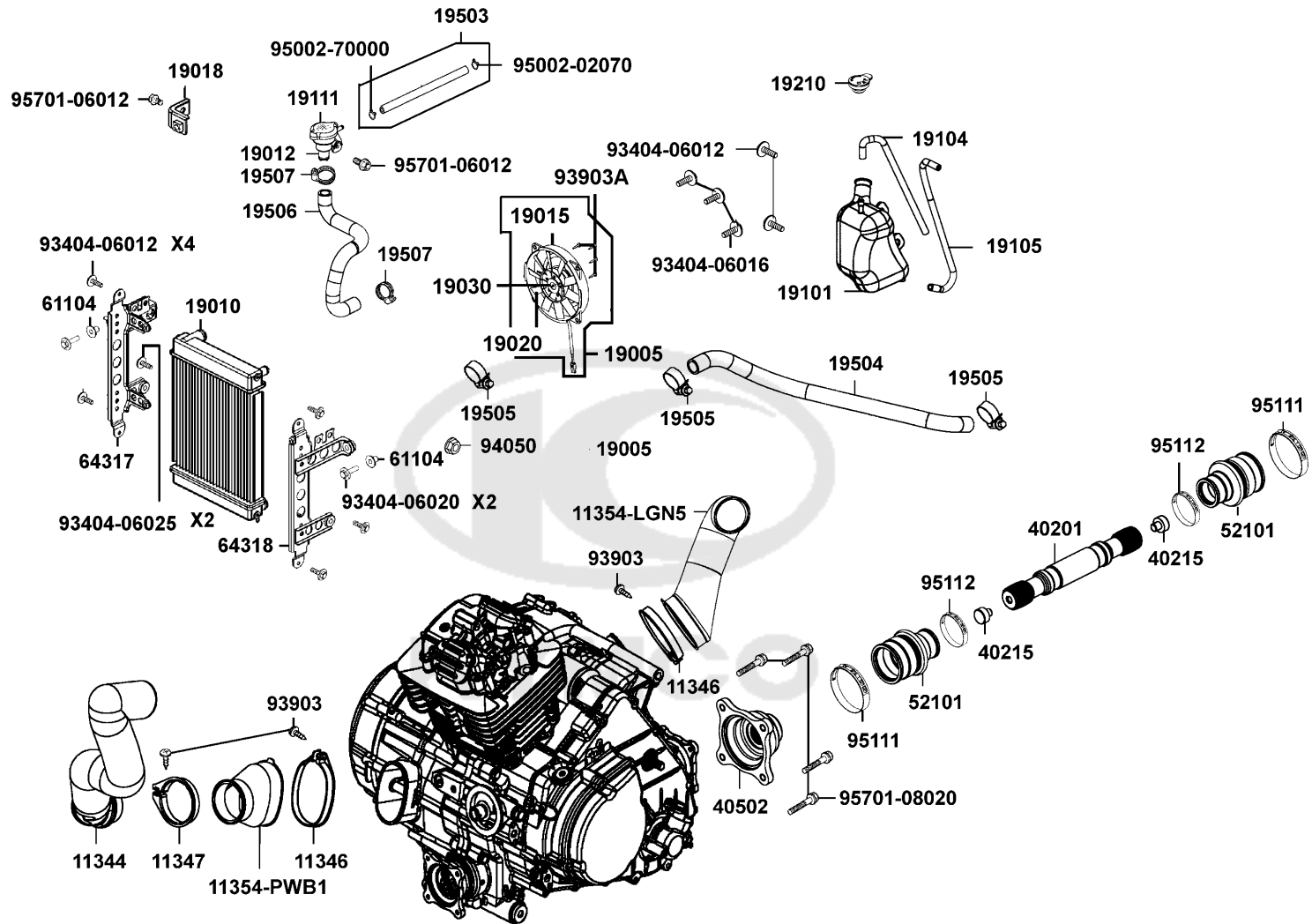
F21

Frame Body



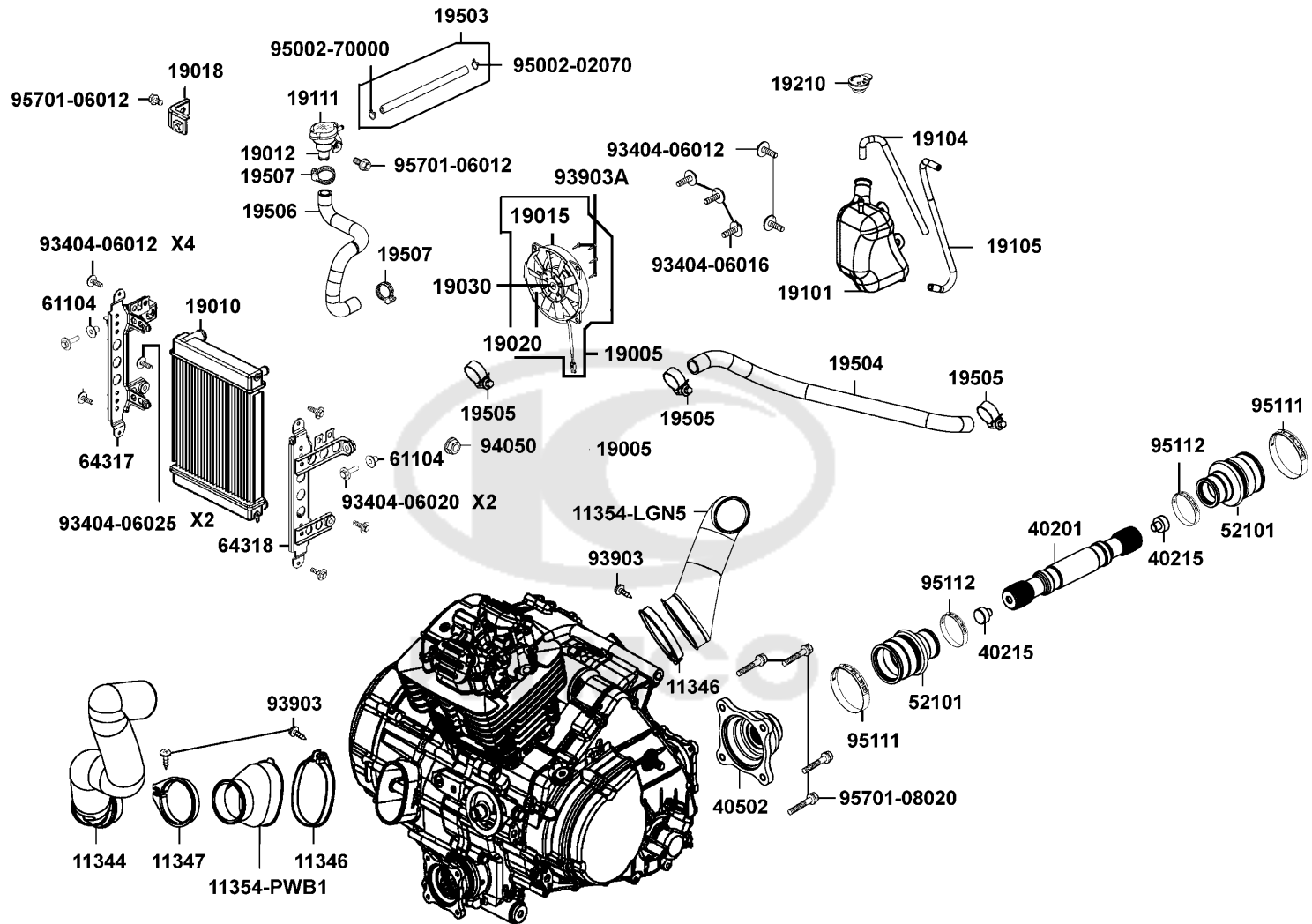
Sales mark	Ref no	Part no	Description	Reg description	Regd no	F21
94050A		94050-08060	NUT FLANGE 8MM	NUT FLANGE 8MM	6	
94102		94102-16000	WASHER PLAIN 16MM	WASHER PLAIN 16MM	2	
95701-06020		95701-06020-06	BOLT FLANGE 6*20	BOLT FLANGE 6*20	2	
95701-08012		95701-08012-06	BOLT FLANGE 8*12	BOLT FLANGE 8*12	9	
95701-08016		95701-08016-06	BOLT FLANGE 8*16	BOLT FLANGE 8*16	8	
95801-08025		95801-08025-06	BOLT FLANGE 8*25	BOLT FLANGE 8*25	4	
95801-08030		95801-08030-06	BOLT FLANGE 8*30	BOLT FLANGE 8*30	2	
95801-08042		95801-08042-06	BOLT FLANGE 8*42	BOLT FLANGE 8*42	2	
95801-08050		95801-08050-06	BOLT FLANGE 8*50	BOLT FLANGE 8*50	2	
95801-10110		95801-10110-06	BOLT FLANGE 10*110	BOLT FLANGE 10*110	4	
95801-10185		95801-10185-06	BOLT FLANGE 10X185	BOLT FLANGE 10X185	2	





Sales mark	Ref no	Part no	Description	Reg description	Regd no	F22
	11344	11344-PWB1-900	DUCT BELT AIR OUT	DUCT BELT AIR OUT	1	
	11346	11346-PWB1-900	CLAMP PLASTC-SCREW-OVAL	CLAMP PLASTC-SCREW-OVAL	2	
	11347	11347-PWB1-900	CLAMP PLASTC-SCREW-OVAL	CLAMP PLASTC-SCREW-OVAL	2	
	11354-LGN5	11354-LGN5-E00	BOOT AIR-OUT	BOOT AIR-OUT	1	
	11354-PWB1	11354-PWB1-900	BOOT AIR-IN	BOOT AIR-IN	2	
	19005	19005-LDB5-E00	SHROUD ASSY	SHROUD ASSY	1	
	19010	19010-LKK7-900	RADIATOR COMP	RADIATOR COMP	1	
	19012	19012-KHD8-900	UNIT RADIATOR	UNIT RADIATOR	1	
	19015	19015-LBA2-E00	SHROUD COMP	SHROUD COMP	1	
	19018	19018-PTA1-900	STAY.UNIT RADIATOR	STAY.UNIT RADIATOR	1	
	19020	19020-LBA2-E00	FAN COOLING	FAN COOLING	1	
	19030	19030-LDB5-E00	MOTOR ASSY FAN	MOTOR ASSY FAN	1	
	19101	19101-PTA1-900	TANK RESERVE	TANK RESERVE	1	
	19104	19104-PTA1-900	HOSE ASSY DRAIN	HOSE ASSY DRAIN	1	
	19105	19105-PTA1-E00	HOSE ASSY.WATER	HOSE ASSY.WATER	1	
	19111	19111-GBE2-004	CAP COMP	CAP COMP	1	
	19210	19210-KKC4-900	CAP RESERVE TANK	CAP RESERVE TANK	1	
	19503	19503-PTA1-E00	HOSE ASSY.WATER	HOSE ASSY.WATER	1	
	19504	19504-LKK7-E00	HOSE WATER	HOSE WATER	1	
	19505	19505-LBA2-E00	CLAMP WATER HOSE	CLAMP WATER HOSE	3	

Sales mark	Ref no	Part no	Description	Reg description	Regd no	F22
19506		19506-PTA1-900	HOSE WATER	HOSE WATER	1	
19507		19507-LBA2-E00	CLAMP D 27.5	CLAMP D 27.5	2	
40201		40201-PWB1-900	SHAFT PROPELLER-REAR	SHAFT PROPELLER-REAR	1	
40215		40215-PWB1-900	BUMPER DRIVESHAFT	BUMPER DRIVESHAFT	2	
40502		40502-PRB2-900	FLANGE OUTPUT	FLANGE OUTPUT	1	
52101		52101-PWB1-900	BOOT COUPLER	BOOT COUPLER	2	
61104		61104-3G57-001	COLLAR FR FENDER	COLLAR FR FENDER	2	
64317		64317-LKK7-900	BRKT R RADIATOR	BRKT R RADIATOR	1	
64318		64318-LKK7-900	BRKT L RADIATOR	BRKT L RADIATOR	1	
93404-06012		93404-06012-06	BOLT WASHER 6X12	BOLT WASHER 6X12	2	
93404-06016		93404-06016-06	BOLT WASHER 6*16	BOLT WASHER 6*16	3	
93404-06020		93404-06020-06	BOLT WASHER 6X20	BOLT WASHER 6X20	2	
93404-06025		93404-06025-06	BOLT WASHER 6*25	BOLT WASHER 6*25	2	
93903		93903-45360	SCREW TAPPING 5*16	SCREW TAPPING 5*16	3	
93903A		93903-LDB5-E00	SCREW TAPPING 4*14	SCREW TAPPING 4*14	4	
94050		94050-06060	NUT FLANGE 6MM	NUT FLANGE 6MM	5	
95002-02070		95002-02070	CLIP B7 TUBE	CLIP B7 TUBE	2	
95002-70000		95002-70000	CLIP C11 TUBE	CLIP C11 TUBE	1	
95111		95111-PWB1-900	CLAMP BOOT	CLAMP BOOT	2	
95112		95112-PWB1-900	CLAMP 30mm-BOOT	CLAMP 30mm-BOOT	2	

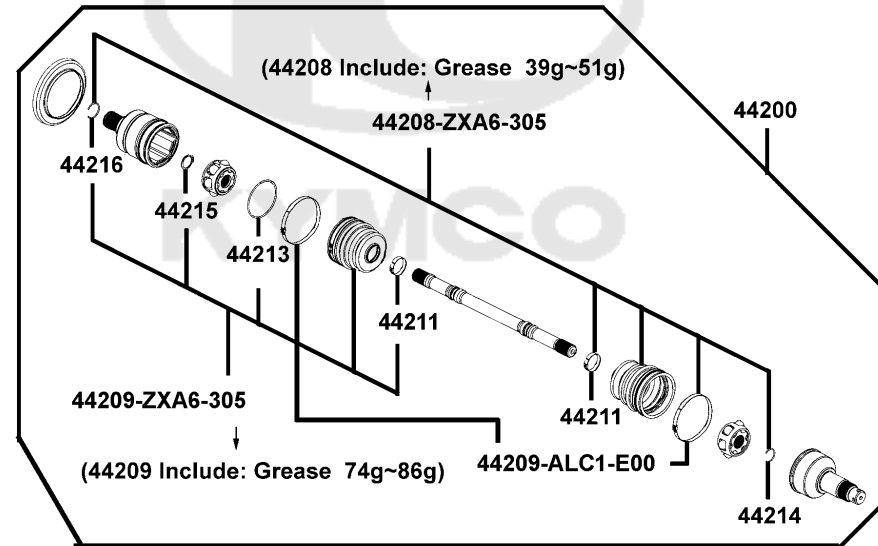
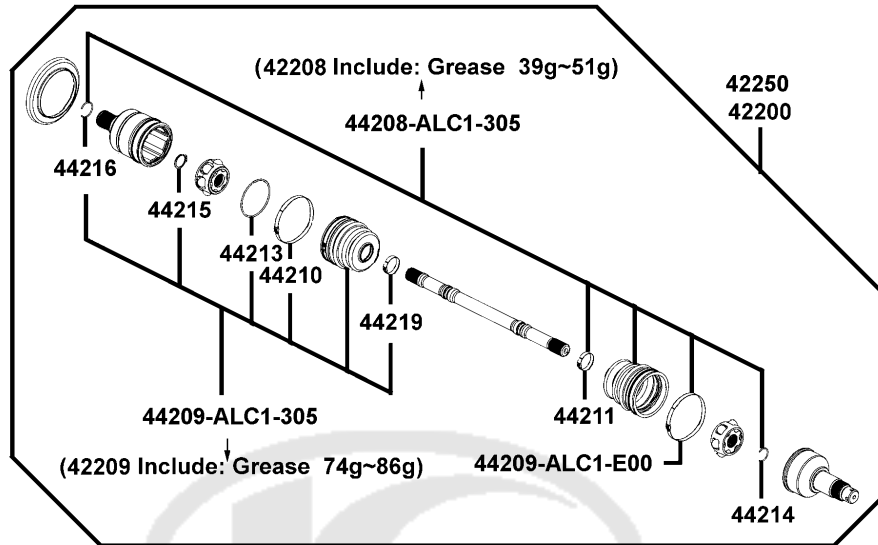


Sales mark	Ref no	Part no	Description	Reg description	Regd no	F22
------------	--------	---------	-------------	-----------------	---------	------------

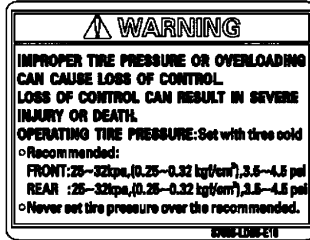
95701-06012		95701-06012-06	BOLT FLANGE 6X12	BOLT FLANGE 6X12	2	
95701-08020		95701-08020-06	BOLT FLANGE 8*20MM **07 C.2005.07.01	BOLT FLANGE 8*20MM **07 C.2005.07.01	4	



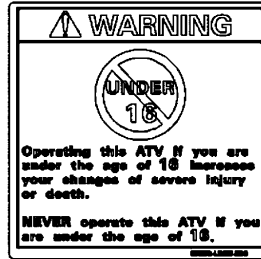
Separated Parts Of Halfshaft



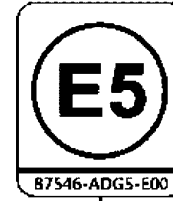
Sales mark	Ref no	Part no	Description	Reg description	Regd no	F23
42200		42200-AEC7-E00	HALF SHAFT REAR-RH	HALF SHAFT REAR-RH	1	
42250		42250-AEC7-E00	HALF SHAFT REAR-LH	HALF SHAFT REAR-LH	1	
44200		44200-ZXA6-M02	HALFSHAFT. FRONT	HALFSHAFT. FRONT	1	
44208-ALC1-305		44208-ALC1-305	WHEEL SIDE BOOT SERVICE KIT	WHEEL SIDE BOOT SERVICE KIT	1	
44208-ZXA6-305		44208-ZXA6-305	WHEEL SIDE BOOT SERVICE KIT	WHEEL SIDE BOOT SERVICE KIT	1	
44209-ALC1-305		44209-ALC1-305	DIFF SIDE BOOT SERVICE KIT	DIFF SIDE BOOT SERVICE KIT	1	
44209-ALC1-E00		44209-ALC1-E00	BOOT BAND (L)	BOOT BAND (L)	1	
44209-ZXA6-305		44209-ZXA6-305	DIFF SIDE SERVICE KIT	DIFF SIDE SERVICE KIT	1	
44210		44210-ALC1-E00	BOOT BAND (L)	BOOT BAND (L)	1	
44211		44211-ALC1-E00	BOOT BAND(S)	BOOT BAND(S)	2	
44213		44213-PWB1-900	CIRCLIP (DOJ MONTH)	CIRCLIP (DOJ MONTH)	2	
44214		44214-PWB1-900	CIRCLIP	CIRCLIP	2	
44215		44215-PWB1-900	SNAP RING	SNAP RING	2	
44216		44216-PWB1-900	CIRCLIP (DOJ STEM)	CIRCLIP (DOJ STEM)	2	
44219		44219-ALC1-E00	BOOT BAND(S)	BOOT BAND(S)	1	



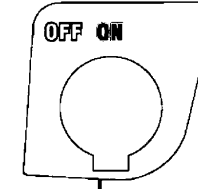
87505



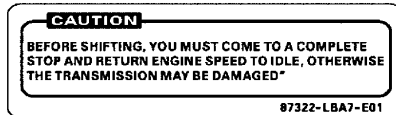
87517



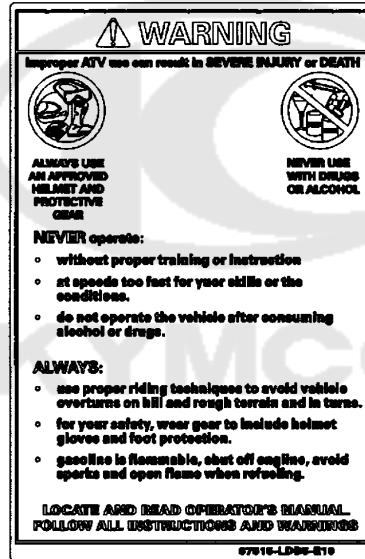
87546



86182



87322



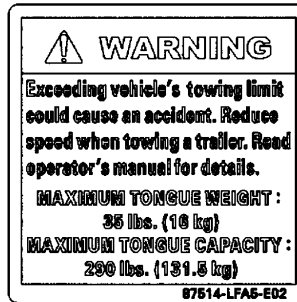
87515



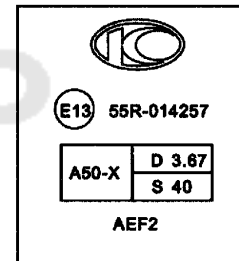
87519



87556



87514-LFA5

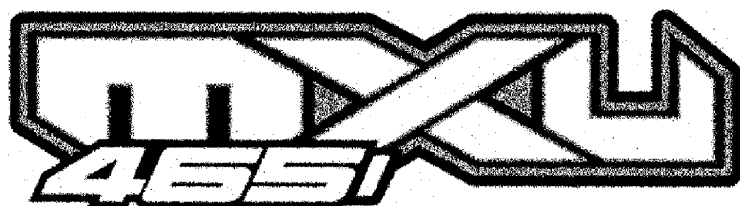


87514-AEF2

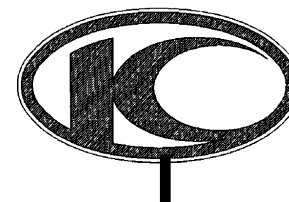


87556A

Sales mark	Ref no	Part no	Description	Reg description	Regd no	F24
**	86182	86182-LGN5-EVV	SW LABEL	SW LABEL	1	
**	87322	87322-LBA7-E01	CAUTION SHIFIT GEARS	CAUTION SHIFIT GEARS	1	
**	87505	87505-LDB5-E01	LABEL TIRE ON ROAD	LABEL TIRE ON ROAD	1	
**	87514-AEF2	87514-AEF2-E00	CAUTION MAXINUM CAPACITY	CAUTION MAXINUM CAPACITY	1	
**	87514-LFA5	87514-LFA5-E02	WARNING MAXIMUM CAPACITY	WARNING MAXIMUM CAPACITY	1	
**	87515	87515-LDB5-E01	DRIVE WARNING LIST-ON ROAD	DRIVE WARNING LIST-ON ROAD	1	
**	87517	87517-LDB5-E00	CAUTION DRIVE AGE 16	CAUTION DRIVE AGE 16	1	
**	87519	87519-AED1-E00	SPEED LIMIT LABEL	SPEED LIMIT LABEL	1	
**	87546	87546-ADG5-E00	LABEL FUEL TANK	LABEL FUEL TANK	1	
**	87556	87556-LFA5-E00	WARNING CARRIER MAX LOAD (34 kg)	WARNING CARRIER MAX LOAD (34 kg)	1	
**	87556A	87556-LFA5-E01	WARNING CARRIER MAX LOAD (68 kg)	WARNING CARRIER MAX LOAD (68 kg)	1	



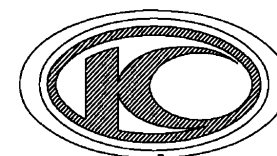
86202



87532-LCA5



87532-LBE8



86102

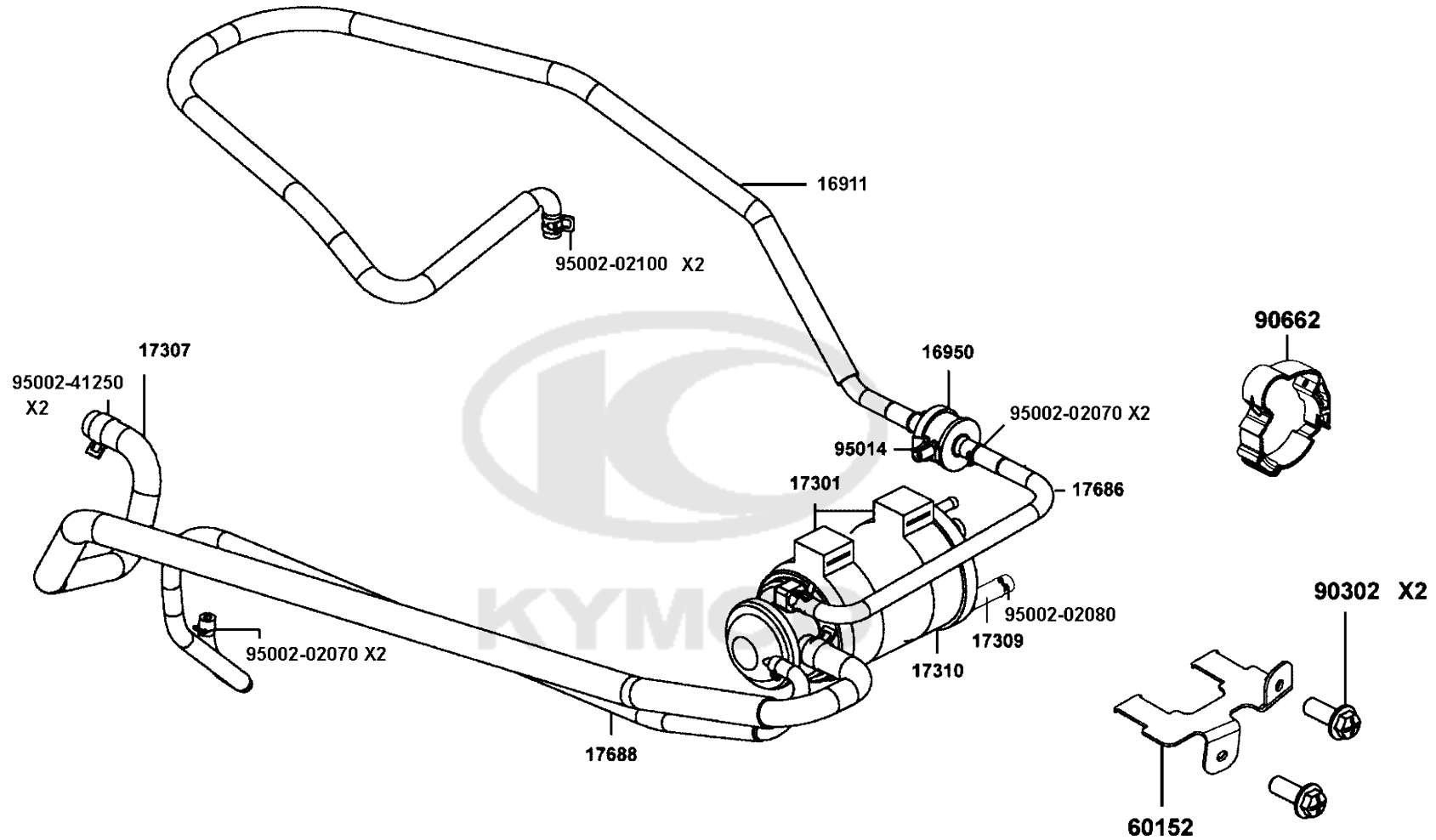
Sales mark	Ref no	Part no	Description	Reg description	Regd no	F25
------------	--------	---------	-------------	-----------------	---------	------------

**	86202	86202-AED1-E60	STRIPE TANK COVER	STRIPE TANK COVER	1	
**	87532-LBE8	87532-LBE8-900	STRIPE KYMCO	STRIPE KYMCO	1	
**	87532-LCA5	87532-LCA5-900	STRIPE K-LOGO 60MM	STRIPE K-LOGO 60MM	1	



F26

Canister



Sales mark	Ref no	Part no	Description	Reg description	Regd no	F26
16911		16911-BAD9-M00	HOSE ASSY,BREATHER	HOSE ASSY,BREATHER	1	
16950		16950-PRA9-920	VALVE CHECK	VALVE CHECK	1	
17301		17301-GFY6-940	RUBBER CANISTER MOUNT	RUBBER CANISTER MOUNT	2	
17307		17307-BAD9-M00	HOSE ASSY,CANISTER-T JOINT	HOSE ASSY,CANISTER-T JOINT	1	
17309		17309-BAD9-M00	TUBE ASSY,DRAIN	TUBE ASSY,DRAIN	1	
17310		17310-BAD9-M00	CANISTER COMP	CANISTER COMP	1	
17686		17686-BAD9-M00	HOSE ASSY,CANISTER-CHECK VALVE	HOSE ASSY,CANISTER-CHECK VALVE	1	
17688		17688-BAD9-M00	TUBE ASSY,VACUUM	TUBE ASSY,VACUUM	1	
60152		60152-BAD9-M00	STAY,CANISTER	STAY,CANISTER	1	
90302		90302-GFY6-901	BOLT WASH 5X12	BOLT WASH 5X12	2	
90662		90662-AKD3-900	PIPE CLAMP. 38	PIPE CLAMP. 38	1	
95002-02070		95002-02070	CLIP B7 TUBE	CLIP B7 TUBE	4	
95002-02080		95002-02080	CLIP B8 TUBE	CLIP B8 TUBE	1	
95002-02100		95002-02100	CLIP B15 TUBE	CLIP B15 TUBE	2	
95002-41250		95002-41250-08	CLAMP D12.5 TUBE	CLAMP D12.5 TUBE	2	
95014		95014-PRB3-900	STRAP CABLE	STRAP CABLE	1	

PART NO. INDEX

PART NO.	VERSION	PAGE	PART NO.	VERSION	PAGE	PART NO.	VERSION	PAGE
11000			11496-PWB1-900	2	E05	14000		
11103-PTA1-800	1	E01	12000			14100-BAD9-E00	0	E03
11105-PTA1-800	1	E01	12100-PTA1-900	8	E04	14321-PTA1-900	4	E03
11106-PWB1-900	2	E01	12191-PTA1-900	1	E04	14323-PWB1-900	1	E03
11107-PWB1-900	2	E01	12205-KHE8-301	5	E03	14324-PWB1-900	2	E03
11108-BAD9-E00	0	E01	12206-LBA2-E00	4	E03	14401-PWB1-900	2	E04
1110A-PTA1-900	2	E01	12209-PWB1-900	2	E03	14420-PTA1-900	7	E03
11203-PWB1-900	2	E01	1220A-PTA1-800	4	E03	14430-PTA1-900	7	E03
11330-PTA1-900	7	E05	1220C-LGC7-305	1	E03	14433-PTA1-900	3	E03
11331-PWB1-900	2	E02	12251-PTA1-900	3	E04	14434-PTA1-900	2	E03
11332-PWB1-900	1	E05	12302-PTA1-900	1	E03	14452-PTA1-900	1	E03
11333-LFA5-900	3	E02	1236A-PWB1-900	2	E03	14510-PWB1-900	3	E04
11334-PWB1-900	1	E02	13000			14520-GFY6-90C	2	E04
11335-PWB1-900	2	E01	13000-PWB1-900	12	E04	14523-KED9-920	1	E04
11335-PWB1-900	2	E02	13011-PTA1-90B	1	E04	14531-PWB1-900	9	E04
11344-PWB1-900	2	F22	13101-LGC7-E00	4	E04	14610-PTA1-900	3	E04
11346-PWB1-900	2	F22	13111-PWB1-900	3	E04	14711-PTA1-900	4	E03
11347-PWB1-900	2	F22	13418-PWB1-900	6	E04	14721-PTA1-900	3	E03
11348-PTA1-900	6	E05	13421-ZXA6-M01	2	E04	14751-PTA1-900	1	E03
11354-LGN5-E00	1	F22				14771-PWB1-900	3	E03
11354-PWB1-900	4	F22				14777-PWB1-900	3	E03
11394-PWB1-900	3	E05				14781-MFA6-001	0	E03
11395-PWB1-900	3	E02						
11396-PWB1-900	3	E02						

PART NO. INDEX

PART NO.	VERSION	PAGE	PART NO.	VERSION	PAGE	PART NO.	VERSION	PAGE	
15000			16110-KGC5-900	1	E11	17253-PWB1-900	4	F13	
			16113-PTA1-800	4	E11	17254-PWB1-900	5	F13	
			16118-LBF2-900	2	E11	17255-PWB1-900	1	F13	
	15100-PWB1-900	4	E07	16134-LDB5-E00	3	E11	17256-LGC3-E01	1	F13
	15112-PWB1-900	1	E01	16137-PTA1-800	2	E11	17257-PWB1-900	6	F13
	15131-PWB1-900	2	E04	1670A-ZXA6-M01	0	F10	17258-PWB1-900	0	F13
	15133-PWB1-900	3	E07	16771-GKAK-220	1	E11	17259-PWB1-900	0	F13
	15200-PWB1-900	2	E05	16911-BAD9-M00	0	F26	17291-PWB1-900	1	F13
	1541A-PWB1-900	1	E01	16911-LGC7-E00	4	F10	17292-PWB1-900	1	F13
	15420-PWB1-900	2	E01	16950-PRA9-920	1	F26	17301-GFY6-940	3	F26
	15436-PWB1-900	3	E01	16958-PWB1-910	0	E05	17307-BAD9-M00	0	F26
	15438-PWB1-900	2	E01				17309-BAD9-M00	0	F26
	15438-PWB1-900	2	E03	17000			17310-BAD9-M00	0	F26
	15439-PWB1-910	0	E01				17500-ZXA6-M02	0	F10
	15510-PTA1-900	3	E05	1711A-LGC3-E01	3	E03	17505-PWB1-900	0	F13
	1565A-PWB1-900	6	E05	17200-AEC7-E00	0	F13	17507-PWB1-900	3	F13
	15711-PWB1-900	1	E04	17206-PWB1-900	1	F13	17508-LGC7-E00	1	E03
16000			17208-PWB1-900	0	F13	17522-PWB1-900	1	F10	
			17212-PWB1-900	0	F13	17556-ZXA6-M01	0	F10	
			17214-PWB1-900	1	F13	1755A-AEB8-M0B	4	F10	
	16053-PTA1-800	2	E11	17215-PWB1-900	6	F13	17560-LGC7-E00	1	F12
	16054-PTA1-800	3	E11	1721A-PWB1-900	2	F13	1763A-AGA8-E00	3	F10
	16059-LDB5-E00	4	E11	17221-PWB1-900	0	F13	17686-BAD9-M00	0	F26
	16072-PTA1-800	4	E11	17228-PWB1-900	2	F13	17688-BAD9-M00	0	F26
	16081-LKM5-E00	1	E11	17230-PWB1-900	6	F13	17700-LKK7-E00	2	F05
	16100-BAD7-E00	0	E11	17231-AEC7-E00	0	F13	17710-LKK7-E00	1	F05

PART NO. INDEX

PART NO.	VERSION	PAGE	PART NO.	VERSION	PAGE	PART NO.	VERSION	PAGE	
17910-LFA5-E00	2	F03	19101-PTA1-900	1	F22	19507-LBA2-E00	1	E05	
18000			19104-PTA1-900	1	F22	19507-LBA2-E00	1	F22	
			19105-PTA1-E00	1	F22	19507-LDB5-E00	1	E05	
			19111-GBE2-004	1	F22	19523-PTA1-900	2	E05	
			19210-KKC4-900	0	F22				
18291-PTA1-900	1	F14	19214-PTA1-900	4	E05	22000			
18293-PWB1-900	4	F14	19215-LBA2-E00	2	E05				
18305-PWB1-900	1	F14	19217-PRB9-E01	2	E05		22102-ZXA6-M01	2	E06
1830A-BAD9-E00	0	F14	19229-LDB5-E00	1	E05		22105-ALE8-E00	3	E06
18310-BAD9-E00	0	F14	1922A-PTA1-900	4	E05		22110-ALE8-E00	5	E06
18317-PRB2-300	0	F14	1922B-PTA1-900	9	E05		22121-LGC7-305	0	E06
18318-PWB1-900	2	F14	19231-PTA1-900	5	E05		22127-LFA5-900	2	E06
18320-PRB2-300	0	F14	19300-PTA1-900	1	E05		22128-LFA5-900	2	E06
18328-AED1-E00	0	F14	19310-LDB5-E00	2	E05		22131-PWB1-900	3	E06
18329-PWB1-700	0	F14	19315-LBA2-E00	2	E05		22132-PWB1-305	0	E06
18339-PWB1-900	1	F14	19316-PTA1-900	5	E05		22402-LFA5-900	2	E06
18391-PTA1-900	1	F14	19317-LBA2-E00	1	E05		2261A-LFA5-900	6	E06
19000			19502-PTA1-900	4	E05		2262A-LFA5-900	4	E06
			19503-PTA1-E00	2	F22		22631-LFA5-900	5	E06
			19504-LBA2-E00	3	E05		22641-LFA5-900	2	E06
			19504-LBA2-E00	3	F10		2266A-LFA5-900	6	E06
19005-LDB5-E00	3	F22	19504-LKK7-E00	2	F22	23000			
19010-LKK7-900	1	F22	19505-LBA2-E00	4	E05				
19012-KHD8-900	4	F22	19505-LBA2-E00	4	F22				
19015-LBA2-E00	0	F22	19505-LBA2-E00	4	F22				
19018-PTA1-900	1	F22	19505-LKK7-900	1	E05		2301A-LGC7-E00	6	E06
19020-LBA2-E00	0	F22	19506-PTA1-900	1	F22		23100-PWB1-900	1	E06
19030-LDB5-E00	2	F22							

PART NO. INDEX

PART NO.	VERSION	PAGE	PART NO.	VERSION	PAGE	PART NO.	VERSION	PAGE
23103-PTA1-900	5	E04	23518-PWB1-900	4	E08	24708-PWB1-900	1	F15
23201-PWB1-900	4	E06	23519-PWB1-900	2	E10	2470A-LFA5-E00	4	F15
23210-PWB1-900	3	E08	23521-PWB1-900	4	E08	24721-PWB1-900	2	F15
23220-ZXA6-M01	1	E06				24722-PWB1-900	3	F15
23223-LFA5-900	4	E06	24000			24723-PWB1-900	3	F15
23230-PWB1-900	2	E08				24781-LFA5-E00	2	F15
23233-LGC7-E00	1	E06	24080-PWB1-900	3	F15	2478A-LFA5-E00	2	F15
23237-PWB1-900	2	E06	24221-PWB1-900	4	E08			
23240-ZXA6-M01	3	E06	24241-PWB1-900	3	E08	28000		
23250-ZXA6-M01	2	E06	24242-PWB1-900	5	E08			
23252-PWB1-900	4	E06	24301-PWB1-900	4	E08	28101-PWB1-900	3	E07
23256-PWB1-900	1	E06	24302-PWB1-900	4	E08	28102-PWB1-900	2	E07
23411-PTA1-900	5	E08	24305-PWB1-900	1	E08	28110-PWB1-900	4	E07
23421-PWB1-900	4	E08	24310-PWB1-900	4	E08	28112-PWB1-900	1	E07
23425-PWB1-900	2	E08	24411-PWB1-900	5	E08	28113-PWB1-900	2	E07
23430-PWB1-900	2	E10	24421-PWB1-900	1	E01	28120-PWB1-90A	1	E07
23431-PWB1-900	4	E10	24430-PWB1-900	2	E08			
23441-PWB1-900	6	E10	24435-PTA1-800	1	E08	30000		
23451-PWB1-900	4	E08	24610-PWB1-900	2	E08			
23471-PWB1-900	3	E08	2461A-PWB1-900	2	E08	3051A-PRB8-900	3	F20
23472-PWB1-900	2	E08	24702-LFA5-E00	2	F15	30700-PTA1-800	5	F20
23473-PWB1-900	1	E08	24703-PWB1-900	3	F15			
23481-PWB1-900	2	E08	24704-PWB1-900	2	F13	31000		
23510-PWB1-900	4	E08	24704-PWB1-900	2	F15			
23511-PTA1-900	4	E08	24705-PWB1-900	3	F15	31110-PTA1-800	3	E07
23512-PWB1-900	5	E08	24707-LFA5-E00	2	F15	31120-LFA5-E00	2	E07

PART NO. INDEX

PART NO.	VERSION	PAGE	PART NO.	VERSION	PAGE	PART NO.	VERSION	PAGE
31210-PTA1-800	2	E07	33450-LFA5-E00	1	F18	34905-LBA7-E00	0	F18
31350-LDB5-E0A	2	E05	33451-LFA5-E00	0	F18	34905-LBA7-E00	0	F19
31500-LDB5-E0A	5	F11	33456-LFA5-E00	0	F18	34906-KPCP-900	0	F19
31600-PRB8-900	2	F20	33700-LFA5-E00	3	F19			
31605-PRB2-900	1	F05	33706-GCN3-67A	0	F19	35000		
3195A-LBA7-E00	1	F20	33709-KBAB-003	0	F19			
			33710-LFA5-E00	0	F19	35010-LFA5-EV0	0	F20
32000			33715-LFA5-E00	0	F19	35100-PWB1-305	0	F20
			33720-LCA5-E00	2	F19	35107-PWB1-900	1	E07
32100-BAD9-E00	0	F20	33722-KHB4-E00	0	F19	35108-PWB1-900	1	E05
32161-4D04-001	2	F03	33725-KHB4-E00	0	F19	35111-KUDU-305-M2	0	F20
32410-PTA1-800	1	E07	33726-LCA5-E00	0	F19	35111-KUDU-306-M2	0	F20
32411-2C53-001	0	E07	33731-KHC5-M00	2	F21	35111-LFA5-305-M2	0	F20
32411-LGN5-E00	4	F20	33740-LFA5-E00	1	F19	35111-LFA5-306-M2	0	F20
32412-PTA1-800	1	E07	33744-LFA5-E00	0	F19	3515A-AED1-E00	4	F03
			33745-LFA5-E00	1	F19	3520A-LDB5-EV0	0	F03
33000			33749-LFA5-E00	0	F19	35340-LDB5-900	0	F04
			33750-LFA5-E00	3	F19	35340-PWB1-E00	1	F15
33100-LFA5-E00	3	F01				35380-LDF2-900	2	F20
33110-LFA5-E00	1	F01	34000			35759-PWB1-900	6	E01
33120-LFA5-E00	1	F01				35850-LBA2-E00	1	F20
33130-LFA5-E00	0	F01	34300-KKE3-900	4	E11			
33150-LFA5-E00	3	F01	34301-KKE3-900	2	E11	37000		
33400-LFA5-E00	1	F18	34901-KFA6-900	0	F01			
33401-LFA5-E00	0	F18	34903-KPCP-900	0	F01	37119-PTA1-800	0	F02
33406-LFA5-E00	0	F18	34903-KPCP-900	0	F19	37200-BAD9-E00	0	F02

PART NO. INDEX

PART NO.	VERSION	PAGE	PART NO.	VERSION	PAGE	PART NO.	VERSION	PAGE	
37802-LGC3-E00	1	F10	39302-KKE3-900	2	E03	42250-AEC7-E00	0	F08	
38000			39306-LEB2-305	0	E03	42250-AEC7-E00	0	F23	
			39307-LEB2-305	0	E03	42400-LGC3-900	4	E09	
			39400-LEA6-800	2	E03	42400-LGC3-900	4	F07	
			39450-ZVA6-M00	1	F14	42400-LKK7-510	0	F17	
38110-LDB5-E00	3	F20	39500-PTA1-800	1	E11	42401-LFA5-90B	0	E09	
38300-LBC6-90A	2	F20	39700-PTA1-800	1	E11	42401-LFA5-90B	0	F17	
38500-LGL3-90A	5	F20	40000			42402-LFA5-900	2	E09	
3890A-LKK7-E00	3	F21		42402-LFA5-900	2	F17			
38910-PWB1-E03	2	F21		42403-PWB1-900	1	F17			
38911-PWB1-E03	3	F21		42404-LFA5-900	2	E09			
38912-LKK7-E00	1	F21		40201-PWB1-900	3	F22	42404-LFA5-900	2	F17
38913-PWB1-E03	1	F21		40215-PWB1-900	1	E10	42407-LFA5-900	1	E09
38914-LKK7-E00	1	F21		40215-PWB1-900	1	F22	42407-LFA5-900	1	F17
38916-PWB1-E03	1	F21		40401-PWB1-900	2	E10	42408-LFA5-900	5	E09
38917-PWB1-E03	2	F21		4040A-PWB1-900	3	E10	42408-LKC3-510	1	F17
38918-PWB1-E03	0	F21		40502-PRB2-900	0	E10	42409-LFA5-900	2	E09
38919-PWB1-E03	0	F21	40502-PRB2-900	0	F22	42409-LKC3-500	2	F17	
38920-LFA5-600	1	F21	41000			42410-LFA5-900	3	E09	
39000				42410-LFA5-900	3	F17			
				41435-LFA5-900	2	E09	42412-LFA5-900	1	E09
			42000			42412-LFA5-900	1	F17	
3920A-BAD9-E00	0	F20		42413-LFA5-900	2	E09			
39300-LFA5-E00	6	E09		42413-LKC3-500	2	F17			
39300-LKC3-500	6	F17	42200-AEC7-E00	0	F08	42414-LFA5-900	3	E09	
39300-PTA1-800	1	E03	42200-AEC7-E00	0	F23	42414-LKC3-500	4	F17	
39301-LGC7-E00	1	E03							

PART NO. INDEX

PART NO.	VERSION	PAGE	PART NO.	VERSION	PAGE	PART NO.	VERSION	PAGE
42415-LFA5-900	6	E09	42449-LFA5-90B	0	F17	42466-LKC3-500	3	F17
42415-LKC3-500	1	F17	42451-LFA5-900	3	E09	42467-LFA5-900	2	E09
42416-LFA5-900	2	E09	42451-LFA5-900	3	F17	42467-LFA5-900	2	F17
42416-LKC3-500	1	F17	42453-LGC3-900	1	E09	42472-LKC3-500	7	F17
42418-LFA5-900	1	E09	42453-LGC3-900	1	F17	42473-LKC3-500	3	F17
42419-LFA5-900	1	E09	42454-LFA5-900	2	E09	42475-LEE8-E00	0	F17
42419-LKC3-500	5	F17	42456-LFA5-900	5	E09	42476-LEE8-E00	0	F17
42421-LFA5-900	1	E09	42456-LKM8-510	1	F17	42477-LEE8-E00	2	F17
42422-LFA5-900	3	E09	42460-LFA5-900	2	E09	42478-LEE8-E00	0	F17
42422-LFA5-900	3	F17	42460-LFA5-900	2	F17	42480-LKC3-500	5	F17
42423-LFA5-900	1	E09	42460-LKC3-500	1	F17	42483-LEE8-E00	0	F17
42423-LFA5-900	1	F17	42461-LFA5-900	2	E09	42488-LEE8-E00	0	F17
42425-LFA5-900	8	E09	42461-LFA5-900	2	F17	42491-LEE8-E00	1	F17
42425-LKA8-500	8	F17	42461-LKC3-500	1	F17	42492-LKC3-500	3	F17
42428-LFA5-900	1	E09	42462-LFA5-900	2	E09	42494-LEE8-E00	0	F17
42428-LKC3-500	1	F17	42462-LFA5-900	2	F17	42495-LEE8-E00	0	F17
42430-LFA5-900	4	E09	42462-LKC3-500	1	F17	42496-LEE8-E00	0	F17
42430-LKC3-500	4	F17	42463-LFA5-900	2	E09	42497-LEE8-E00	0	F17
42432-AEB8-E00	0	F17	42463-LFA5-900	2	F17	42498-LEE8-E00	0	F17
42432-LFA5-900	7	E09	42464-LFA5-900	2	E09	42710-LFA5-E00	3	F08
42442-LFA5-900	5	E09	42464-LFA5-900	2	F17	42753-KNBN-90B	1	F07
42442-LKC3-600	0	F17	42465-LFA5-900	2	E09	42753-KNBN-90B	1	F08
42446-LFA5-900	2	E09	42465-LFA5-900	2	F17			
42448-LFA5-900	1	E09	42465-LKC3-510	2	F17	43000		
42448-LFA5-900	1	F17	42466-LFA5-900	2	E09			
42449-LFA5-90B	0	E09	42466-LFA5-900	2	F17	43100-LFA5-E00	3	F16

PART NO. INDEX

PART NO.	VERSION	PAGE	PART NO.	VERSION	PAGE	PART NO.	VERSION	PAGE
43110-LFA5-E00	0	F16	44208-ALC1-305	0	F23	45107-PWB1-305	0	F07
43126-AEC7-E00	4	F04	44208-ZXA6-305	0	F23	45107-PWB1-305	0	F08
43127-AEC7-E00	3	F04	44209-ALC1-305	0	F23	45109-LEC1-E00	0	F16
43128-AEC7-E00	3	F04	44209-ALC1-E00	0	F23	45109-LFA5-E00	0	F16
43140-LEC1-E00	0	F16	44209-ZXA6-305	0	F23	45110-PWB1-305	0	F07
43143-LEC1-E00	0	F16	44210-ALC1-E00	0	F23	45110-PWB1-305	0	F08
43146-LEC1-E00	0	F16	44211-ALC1-E00	0	F23	45116-LEC1-E00	0	F16
43147-LEC1-E00	0	F16	44213-PWB1-900	0	F23	45117-LEC1-E00	0	F16
43200-LFA5-E00	0	F16	44214-PWB1-900	0	F23	45121-PWB1-900	2	F07
43210-LFA5-E00	0	F16	44215-PWB1-900	0	F23	45121-PWB1-900	2	F08
43240-LFA5-E00	0	F16	44216-PWB1-900	0	F23	45124-PWB1-E00	2	F04
43243-LFA5-E00	0	F16	44219-ALC1-E00	0	F23	45125-LFA5-E00	7	F04
43246-LFA5-E00	0	F16	44705-LKK7-E00	2	F07	45126-LFA5-E00	6	F04
43450-AEC7-E00	0	F04	44705-LKK7-E00	2	F08	45127-LFA5-E00	6	F04
43500-LHM2-E00	1	F15	4470A-LFA5-E00	2	F07	45128-LFA5-E01	1	F04
43525-PWA1-900	0	F04	4470A-LFA5-E00	2	F08	45132-LBA7-900	1	F04
43526-PWA1-900	0	F04	44710-LFA5-E00	2	F07	45133-LEC1-E00	0	F16
43527-PWA1-900	0	F04				45200-PWB1-600	2	F07
43528-PWA1-900	0	F04	45000			45200-PWB1-600	2	F08
43530-LFA5-306	0	F04				45203-LEC1-E00	0	F16
43600-LDB5-E00	5	F04	45100-PWB1-600	2	F07	45230-PWB1-305	0	F07
			45100-PWB1-600	2	F08	45230-PWB1-305	0	F08
44000			45105-LFA5-305	0	F16	45232-LEC1-E00	0	F16
			45105-PWB1-306	0	F07	45352-PWB1-305	0	F07
44200-ZXA6-M02	2	F07	45105-PWB1-306	0	F08	45352-PWB1-305	0	F08
44200-ZXA6-M02	2	F23	45107-LEC1-E00	0	F16	45513-KKC4-900	0	F04

PART NO. INDEX

PART NO.	VERSION	PAGE	PART NO.	VERSION	PAGE	PART NO.	VERSION	PAGE
45513-LEA7-E00	1	F04	47550-PWB1-E00	2	F16	52103-PWB1-900	2	F16
45517-KFAF-900	0	F04				52104-PWB1-900	2	F06
45517-LDE9-E00	0	F04	50000			52104-PWB1-900	2	F16
45520-KKA8-900	0	F04				52108-PWB1-900	3	F06
45520-KKC4-900	0	F04	50100-AED1-E00	6	F21	52108-PWB1-900	3	F16
45521-LEA7-E00	1	F04	50144-PTA1-900	1	E05	52144-PWB1-900	2	F06
45525-LBA7-900	0	F04	50202-AEC7-E00	0	F21	52144-PWB1-900	2	F16
45526-LBA7-900	0	F04	50207-LGC7-E00	1	F11	52400-ACD3-E00	1	F16
45527-LBA7-900	0	F04	50225-PRB2-900	2	F05	52400-PWB1-900	6	F16
45530-LDB5-305	1	F04	50230-AEC7-E00	0	F21			
45531-LEC1-E00	0	F16	50325-LGC7-E00	3	F11	53000		
			50326-LFA5-E00	2	F11			
46000			50326-LGC7-E00	2	F11	53100-LFA5-E00	6	F03
			50505-KEBE-900	0	F21	53102-LGC3-E00	1	F03
46500-LGN5-E00	2	F15	50612-PWB1-900	2	F12	53104-PWB1-900	3	F03
46503-LFA5-E00	2	F15	50614-PWB1-900	4	F21	53105-PWB1-900	2	F03
			51000			53131-PWB1-900	1	F03
						53166-PWB1-900	4	F03
						53175-LFA5-305	0	F04
47400-PWB1-900	4	F06	51400-PWB1-900	6	F06	53178-PWA1-900	0	F04
47410-LDB5-E00	2	F07				53190-LDE9-E00	0	F04
47410-LDB5-E00	2	F08	52000			53192-LDE9-E00	0	F04
47450-PWB1-900	4	F16				53193-LDE9-E00	0	F04
47452-PWB1-900	2	F16	52101-PWB1-900	1	F22	53194-LDE9-E00	0	F04
47453-PWB1-900	2	F16	52102-PWB1-900	1	E10	53200-LFA5-E00	9	F06
47500-PWB1-900	4	F06	52103-PWB1-900	2	F06	53205-LKK7-EV0	1	F03

PART NO. INDEX

PART NO.	VERSION	PAGE	PART NO.	VERSION	PAGE	PART NO.	VERSION	PAGE
53250-PWB1-900	1	F06	60102-PWB1-900	1	F05	64318-LKK7-900	4	F22
53251-PWB1-900	1	F06	60102-PWB1-900	1	F12			
53252-PWB1-900	1	F06	60112-PWB1-900	1	F05	77000		
53253-PWB1-900	1	F06	60112-PWB1-900	1	F12			
53261-PWB1-900	3	F06	60113-PWB1-900	1	F05	77200-LFA5-E00	4	F09
53400-PRB1-900	3	F06	60113-PWB1-900	1	F12	77205-PWB1-900	1	F09
53410-PRB1-900	4	F06	60130-LGC7-E00	2	F05	77206-LBA7-900	1	F09
53450-PWB1-900	13	F06	6014A-LGC7-E00	1	F05	77330-AED1-E01	0	F21
53500-PRB1-900	3	F06	60150-LFA5-E01	2	F05	77345-LKK7-E00	0	F21
53550-PWB1-900	13	F06	60152-BAD9-M00	0	F26	77352-LFA5-E00	4	F21
53600-KKAK-325	0	F20	60160-LGC7-E00	1	F21	77430-AED1-E01	0	F21
53700-PWB1-900	12	F06	60200-LFA5-E00	1	F05	77437-LGC3-E00	6	F21
53702-PWB1-900	4	F06						
53703-PWB1-900	4	F06	61000			80000		
54000			61104-3G57-001	0	F22	80100-LKK7-E00	1	F12
			64000			80103-LFA5-E00	1	F12
54100-LGC7-E00	1	F21				80110-LBA7-900	1	F21
54400-AEC7-E00	2	F16				80121-LFA5-E01	1	F12
54450-LFA5-E00	1	F16	64300-PWB1-910	1	F05	80122-LGC3-E00	1	F12
54500-PRB1-900	1	F16	64301-ACD3-E00	0	F05	80125-LGC3-E00	2	F12
54550-LFA5-E00	1	F16	64301-LFA5-E00	2	F05	80130-PWB1-E00	2	F12
			64302-LFA5-E01	1	F05			
60000			64303-ACD3-E00	0	F05	81000		
			64313-ACD3-E00	0	F05			
60100-LFA5-E00	1	F05	64317-LKK7-900	4	F22	81202-LDB5-E00	1	F21

PART NO. INDEX

PART NO.	VERSION	PAGE	PART NO.	VERSION	PAGE	PART NO.	VERSION	PAGE
81702-ZXA6-E03	0	F21						
8170A-ZXA6-E02	0	F21	87000			90000		
8171A-ZXA6-E03	1	F21						
83000			87322-LBA7-E01	3	F24	90002-KKAK-900	0	E05
			87505-LDB5-E01	2	F24	90005-KED9-900	2	E04
			87514-AEF2-E00	2	F24	90012-3C33-001	1	E03
83500-LKK7-E76	1	F12	87514-LFA5-E02	3	F24	90031-PWB1-900	5	E03
83510-ACD3-E00	0	F12	87515-LDB5-E01	3	F24	90033-KGB4-C00	2	E03
83600-LGC3-E00	1	F12	87517-LDB5-E00	3	F24	90036-PWB1-900	6	E01
83610-ACD3-E00	0	F12	87519-AED1-E00	2	F24	90071-MLB0-001	1	E07
83620-LFA5-E00	0	F21	87532-LBE8-900	3	F25	90081-PWB1-900	2	E01
85000			87532-LCA5-900	2	F25	90084-KKE5-E00	5	E03
			87546-ADG5-E00	2	F24	90084-PWB1-900	4	E05
			87556-LFA5-E00	2	F24	9008A-LKC3-500	1	F17
85100-LKK7-MG0	0	F21	87556-LFA5-E01	2	F24	9008A-PTA1-900	3	E05
85102-LKK7-E00	1	F21	88000			90106-PWB1-900	1	F07
86000						90106-PWB1-900	1	F08
						90110-LFA5-900	1	F17
			88110-LBA7-E00	1	F03	90110-PRB3-900	1	F02
86102-LDB5-900	5	F25	88120-LBA7-E00	1	F03	90110-PWA2-900	2	F03
86182-LGN5-EVV	2	F24	89000			90110-PWB1-900	1	F05
86202-AED1-E60	2	F25				90110-PWB1-900	1	F12
86302-LFA5-E00	3	F15				90111-PWB1-900	3	F15
			89010-PWB1-900	4	F09	90112-KNBN-901	1	F11
			89020-KKC4-900	1	F09	90112-KRDR-900	1	E01
						90113-KKA8-900	0	F04

PART NO. INDEX

PART NO.	VERSION	PAGE	PART NO.	VERSION	PAGE	PART NO.	VERSION	PAGE
90114-1F66-007	2	F04	90309-GLW0-90A	1	F13	90545-3L00-001	2	F04
90131-PRB3-900	1	F07	90322-PWB1-900	3	E08	90545-3L00-001	2	F15
90131-PRB3-900	1	F08	90342-PWB1-900	3	E10	90561-PWB1-900	3	E03
90131-PRB3-900	1	F16	90401-PTA1-900	1	E05	90562-PWB1-900	1	E05
90145-LEA3-E00	1	F04	90407-KAM1-001	0	E05	90601-LFA5-900	3	E06
90164-0H28-900	2	F20	90435-HCB3-001	0	E08	90652-LCA4-E00	6	F05
90185-PWB1-900	2	F03	90441-LBA2-E00	1	E10	90652-LCA4-E00	6	F12
90202-PWB1-900	2	E08	90443-KKE5-E00	1	E10	90652-LDB5-900	3	F12
90203-PWB1-900	2	E10	90446-PWB1-900	2	E08	90652-LDB5-900	3	F21
90204-PWB1-910	1	E10	90451-LBA7-900	1	E08	90652-PWB1-900	1	F05
90205-LDB5-E00	4	E04	90452-LBA7-900	1	E08	90652-PWB1-900	1	F15
90206-0A01-001	4	E03	90453-1G07-001	0	E08	90656-KCBC-900	0	F20
90301-6C93-001	2	F21	90454-KED9-900	1	E08	90662-AKD3-900	0	F26
90301-6D34-671	1	F15	90455-LBA7-900	1	E08	90677-GAR1-004	2	F05
90301-PWB1-900	4	F07	90459-PWB1-900	3	E08	90677-GAR1-004	2	F11
90301-PWB1-900	4	F08	90461-PWB1-900	3	E03	90701-LDB5-E00	4	E04
90302-GFY6-901	1	F26	90461-PWB1-900	3	E05	90912-KFLF-00A	1	E02
90302-GFY6-940	2	F10	90474-1G47-001	0	E07			
90302-LLB1-E00	2	F13	90474-3C33-001	1	E02	91000		
90302-PWA1-900	3	F01	90474-3C33-001	1	E05			
90302-PWA1-900	3	F11	90474-7D04-000	0	E08	91002-PTA1-900	0	E01
90302-SDA4-004	3	F12	90478-7L00-001	0	E05	91002-PWB1-90A	1	E01
90304-GLW0-90A	1	F06	90481-0E35-001	1	E04	91003-PWB1-900	0	E01
90304-GLW0-90A	1	F16	90501-3L10-001	0	F15	91004-PWB1-90D	1	E02
90304-GLW0-90A	1	F21	90501-KNBN-901	0	E10	91021-LDB5-E00	2	E06
90305-LKA8-E70	1	F21	90505-4E25-001	0	F13	91021-PWB1-90B	1	E08

PART NO. INDEX

PART NO.	VERSION	PAGE	PART NO.	VERSION	PAGE	PART NO.	VERSION	PAGE
91104-PWB1-90A	1	E07	92900-06040-0E	2	E01	93600-LDE9-E00	0	F04
91201-PWB1-90C	2	E02	92900-PTA1-900	2	E03	93600-LEC1-E00	0	F16
91202-KGB4-C00	1	E05				93600-PWB1-900	3	E01
91202-PWB1-900	1	E01	93000			93891-04012-06	0	E11
91209-PWB1-900	2	E05				93891-04014-06	0	E11
91251-PWB1-900	2	E01	93201-16090-0G	0	F21	93891-04028-06	0	E11
91256-PWB1-900	3	E10	93401-04025-06	0	F20	93894-04022-06	1	F20
91301-LKC3-500	1	F17	93403-05012-06	0	E01	93903-34360	0	F12
91302-5G67-004	0	E05	93403-PWB1-900	1	F14	93903-34360	0	F19
91302-PTA1-800	1	E03	93404-06012-06	1	F05	93903-35260	0	F01
91303-PWB1-900	1	E03	93404-06012-06	1	F12	93903-35260	0	F05
91304-PWB1-900	1	E06	93404-06012-06	1	F22	93903-35260	0	F18
91306-1E05-691	0	E04	93404-06016-06	1	F05	93903-35260	0	F19
91306-PTA1-900	6	E05	93404-06016-06	1	F21	93903-45360	0	F22
91307-0E35-001	1	E05	93404-06016-06	1	F22	93903-GFY6-900	1	F11
91307-PWB1-900	1	F21	93404-06020-06	1	F12	93903-LDB5-E00	0	F22
91309-4E25-004	0	E07	93404-06020-06	1	F20	93903-PWB1-900	1	F05
91313-KED9-900	3	E05	93404-06020-06	1	F22	93903-PWB1-900	1	F12
91508-KGV7-67A	0	F19	93404-06025-06	0	F22			
			93406-08016-06	0	F12	94000		
92000			93500-05010-0F	0	F21			
			93500-05012-0F	0	E11	94001-10080-0S	0	F15
92101-05012-0G	0	E05	93500-06025-0FN	0	E07	94001-LLB1-900	2	F15
92101-05012-0G	0	E07	93500-PWB1-900	2	E01	94001-PWB1-700	0	F06
92101-06012-0HN	0	E03	93500-PWB1-900	2	E02	94001-PWB1-800	0	F06
92101-PWB1-900	1	F10	93600-04012-1G	0	F04	94001-PWB1-900	4	E06

PART NO. INDEX

PART NO.	VERSION	PAGE	PART NO.	VERSION	PAGE	PART NO.	VERSION	PAGE
94002-PWB1-900	3	E06	94050-LDE9-E00	1	F20	94303-04160	0	E07
94005-PWB1-900	2	E09	94052-PWB1-900	5	E06	94305-03161	0	E06
94005-PWB1-900	2	F17	94101-06700	0	F14	94401-16150	0	E04
94006-PWB1-900	2	F17	94101-08600	0	F03	94402-LFA5-900	1	E06
94011-LKA8-E00	1	F06	94101-PWB1-900	1	F06	94510-05000	0	F17
94011-PWB1-900	1	F07	94102-08000	5	F15	94510-10000	0	E07
94011-PWB1-900	1	F08	94102-16000	0	F21	94510-12000	0	E08
94030-PTA1-800	2	E11	94102-PWB1-900	1	F15	94510-12000	0	F17
94050-05060	2	F19	94103-06800	0	F12	94510-14000	0	E05
94050-06060	1	E05	94103-08800	0	F15	94510-25000	0	E08
94050-06060	1	F04	94111-06800	0	E11	94510-35150	0	E06
94050-06060	1	F05	94201-20120	0	F15	94510-PWB1-900	0	F06
94050-06060	1	F15	94201-25250	0	F06	94520-19000	2	E05
94050-06060	1	F21	94201-30400	0	F07	94520-32180	0	E02
94050-06060	1	F22	94201-30400	0	F08	94520-47000	0	E05
94050-06080	2	E04	94301-08060	0	F16	94520-55000	0	F06
94050-06080	2	E08	94301-08100	1	E01	94520-55000	0	F16
94050-06080	2	E11	94301-08120	0	E05	94540-06012	0	F15
94050-06080	2	F20	94301-08140	4	E03	94540-07017	1	E06
94050-08060	0	F04	94301-12200	1	E01	94540-50029	0	E11
94050-08060	0	F21	94301-12200	1	E02	94591-27000	0	F12
94050-08080	0	E04	94301-12200	1	E04	94601-PWB1-900	1	E04
94050-08080	0	F14	94301-12200	1	E05	94611-PWB1-900	1	E08
94050-10080	1	E04	94302-06025	0	E06	94621-PWB1-900	1	E10
94050-LDE9-E00	1	F05	94302-KKE5-E00	1	E01			
94050-LDE9-E00	1	F12	94303-04065	0	E04			

PART NO. INDEX

PART NO.	VERSION	PAGE	PART NO.	VERSION	PAGE	PART NO.	VERSION	PAGE
95000			95701-06012-06	1	F11	95701-LEC1-E00	0	F16
			95701-06012-06	1	F20	95701-LGD8-900	1	F14
			95701-06012-06	1	F22	95701-PWB1-900	4	E04
95002-02070	2	F22	95701-06016-06	1	E03	95801-08025-06	0	F21
95002-02070	2	F26	95701-06016-06	1	F20	95801-08030-06	0	F21
95002-02080	0	F26	95701-06020-06	1	F21	95801-08042-06	0	F21
95002-02090	0	E09	95701-06022-06	1	F15	95801-08050-06	1	F21
95002-02100	0	F17	95701-06025-06	2	E04	95801-08055-06	0	F03
95002-02100	0	F26	95701-06025-06	2	E08	95801-10030-06	0	F06
95002-40950-08	0	E09	95701-06040-06	0	F04	95801-10040-06	0	F06
95002-40950-08	0	F17	95701-08012-06	0	E02	95801-10040-06	0	F16
95002-41250-00	0	F13	95701-08012-06	0	E05	95801-10065-06	0	F16
95002-41250-08	0	F26	95701-08012-06	0	F15	95801-10085-06	1	F06
95002-70000	0	F22	95701-08012-06	0	F21	95801-10085-06	1	F16
95002-KED9-M30	1	F13	95701-08016-06	0	F15	95801-10095-06	0	F16
95002-KKD6-E05	0	E01	95701-08016-06	0	F21	95801-10110-06	0	F21
95005-PWB1-900	1	E09	95701-08020-06	1	E10	95801-10185-06	0	F21
95005-PWB1-900	1	F17	95701-08020-06	1	F06	95801-PWB1-900	1	F06
95007-AED1-E00	0	F17	95701-08020-06	1	F22	95802-PWB1-900	3	F06
95008-PWB1-900	5	E09	95701-08040-06	0	E09	95802-PWB1-900	3	F16
95014-PRB3-900	0	F26	95701-08040-06	0	F17			
95111-PWB1-900	1	E10	95701-08050-06	0	E01	96000		
95111-PWB1-900	1	F22	95701-08060-06	0	E01			
95112-PWB1-900	1	F22	95701-08085-06	0	E01	96001-06008-07	0	F14
95601-PWB1-900	2	E08	95701-08140-06	0	E05	96001-06010-00	0	E05
95701-06012-06	1	F04	95701-10020-06	0	F06	96001-06016-06	0	E05

PART NO. INDEX

PART NO.	VERSION	PAGE	PART NO.	VERSION	PAGE	PART NO.	VERSION	PAGE
96001-06018-06	0	E03	96100-62040-00	0	E01	98200-41000	1	F20
96001-06018-06	0	E05	96100-62050-00	2	E01	98200-41500	1	F20
96001-06020-06	0	E03	96100-62070-00	0	E01			
96001-06020-06	0	E05	96100-63040-00	1	E01			
96001-06020-06	0	F15	96100-63040-00	1	E05			
96001-06022-06	1	F04	96100-63050-00	0	E09			
96001-06025-06	0	E01	96100-63050-00	0	F17			
96001-06025-06	0	E03	96100-68003-00	0	E05			
96001-06025-06	0	E05	96110-PWB1-900	1	E10			
96001-06028-08N	0	E07	96120-60080-00	0	F17			
96001-06030-06	0	E03	96120-PWB1-900	1	E01			
96001-06030-06	0	E05	96130-PWB1-900	1	E10			
96001-06032-06N	0	E07	96140-PWB1-900	1	E10			
96001-06035-06	0	E02	96150-PWB1-900	1	E05			
96001-06040-06	0	E02	96151-PWB1-900	2	F06			
96001-06040-06	0	E05	96151-PWB1-900	2	F16			
96001-06045-06	0	E01	96201-ACD3-E00	0	F16			
96001-06045-06	0	E05	96220-30198	0	E05			
96001-06050-06	0	E05	96220-40080	0	E08			
96001-06060-06	0	E03	96220-60100	0	E05			
96001-06065-06	0	E05	96600-LDB5-E00	3	E07			
96001-06070-06	0	E01						
96001-06070-06	0	E05	98000					
96001-06080-06	1	E02						
96001-06110-06	1	E03	98059-57916-00	2	E03			
96001-08050-08	0	F13	98200-33000	0	F20			